

UNIVERSAL POWER MODULE
UPM



PM3RM TREE STRAP™ 31W-52W Driver Housing

Installation Instructions



Warning



High Voltage



Hot Surface

TOOLS NEEDED:

- 1/8" Allen Wrench
- Waterproof Wire Connectors
- Hammer
- Phillips Screwdriver

By Others

INSTRUCTIONS PERTAINING TO A RISK OF FIRE, OR INJURY TO PERSONS IMPORTANT SAFETY INSTRUCTIONS

Lighted lamp is HOT!

WARNING - To reduce the risk of FIRE OR INJURY TO PERSONS:
Turn off/unplug and allow to cool before replacing lamp.
Lamp gets HOT quickly! Contact only switch/plug when
turning on.

Do not touch hot lens, guard, or enclosure (see diagram/
picture).

Keep lamp away from materials that may burn.
Do not touch the lamp at any time. Use a soft cloth. Oil
from skin may damage lamp.

Do not operate the luminaire fitting with a missing or
damaged shield.

SAVE THESE INSTRUCTIONS

IMPORTANT SAFETY INFORMATION - READ, FOLLOW, AND SAVE ALL SAFETY AND INSTALLATION INSTRUCTIONS

- Product must be installed by a qualified person in a manner consistent with its intended use and in compliance with the National Electrical Code, Canadian Electrical Code, and all Local and Provincial Codes.
- Follow product label information and instructions.
- Qualified Personnel must perform all servicing or relamping of this product.
- Before wiring to power supply and during servicing or relamping, turn off power at fuse or circuit breaker before service.
- The use of accessory equipment not recommended by the manufacturer or installed contrary to instructions may cause an unsafe condition. The use of damaged components may cause an unsafe condition and void product warranty.
- Do not block light emanating from product in whole or part, as this may cause an unsafe condition.
- Never operate the fixture with missing or damaged lens. Lens must be cleaned on regular basis.
- Entire fixture may become extremely hot. Do not touch hot lens or fixture body. Do not touch the lamp at any time. Use a clean, dry, soft cloth to handle the lamp. Oil from skin may damage the lamp and cause it to rupture.
- Replace lamp only with correct wattage and type of lamp marked on fixture label.
- All gaskets, o-rings and sealing surfaces must be kept clean during installation and service; failure to do this may cause an unsafe condition and void product warranty.

IMPORTANT LISTINGS AND CERTIFICATIONS

- Suitable for wet locations

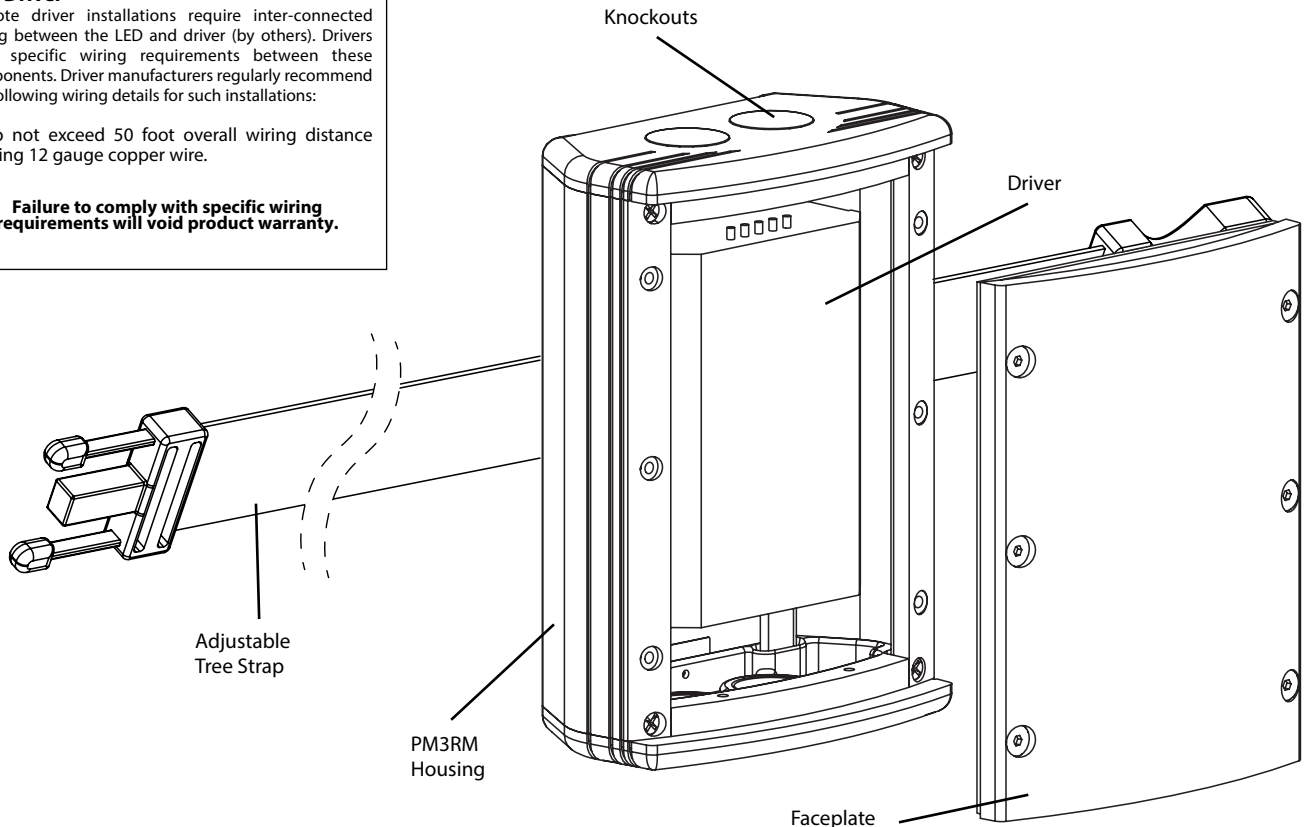
⚠ REMOTE WIRING

LED Driver

Remote driver installations require inter-connected wiring between the LED and driver (by others). Drivers have specific wiring requirements between these components. Driver manufacturers regularly recommend the following wiring details for such installations:

- Do not exceed 50 foot overall wiring distance using 12 gauge copper wire.

Failure to comply with specific wiring requirements will void product warranty.



* UPM is covered in whole or in part by US patent #6,940,012

IMPORTANT SAFETY INFORMATION - READ, FOLLOW, AND SAVE THESE INSTALLATION INSTRUCTIONS

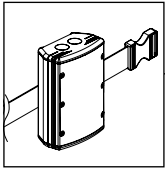
B-K LIGHTING

40429 Brickyard Drive • Madera, CA 93636 • USA
559.438.5800 • FAX 559.438.5900
www.bklighting.com • info@bklighting.com

RELEASED
8-11-16

REFERENCE NUMBER
INS-2187-00

THIS DOCUMENT CONTAINS PROPRIETARY INFORMATION OF B-K LIGHTING, INC. AND ITS RECEIPT OR POSSESSION DOES NOT CONVEY ANY RIGHTS TO REPRODUCE, DISCLOSE ITS CONTENTS, OR TO MANUFACTURE, USE OR SELL ANYTHING IT MAY DESCRIBE. REPRODUCTION, DISCLOSURE OR USE WITHOUT SPECIFIC WRITTEN AUTHORIZATION OF B-K LIGHTING, INC. IS STRICTLY FORBIDDEN.



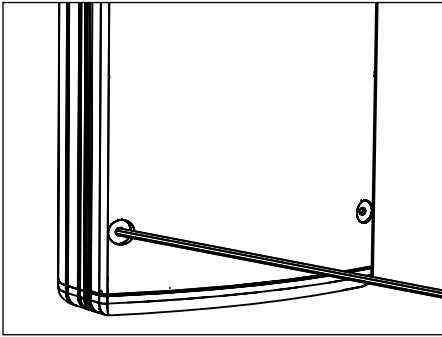
Installation Instructions



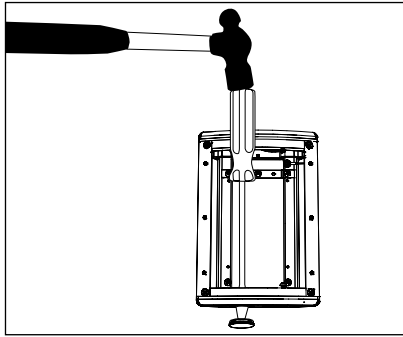
PM3RM TREE STRAP™
31W-52W Driver Housing

PROJECT:

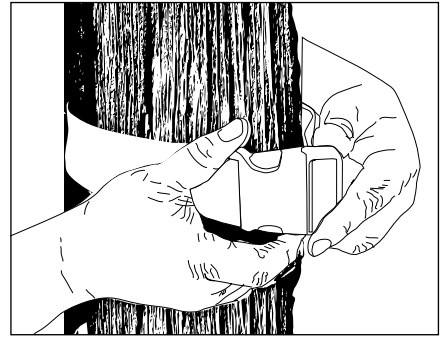
TYPE:



1. Loosen (6) #10-24 captive screws using a 1/8" Allen wrench to remove faceplate of UPM housing.

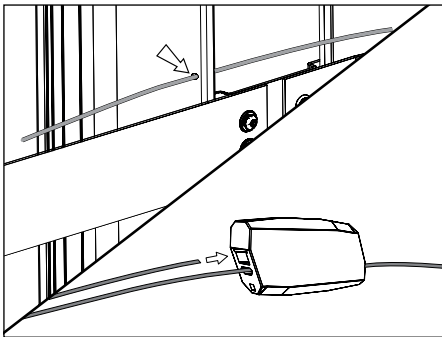


2. Remove Patented Knockout(s) as necessary from the inside of the UPM housing. Leave remaining unused knockouts in place to maintain seal.

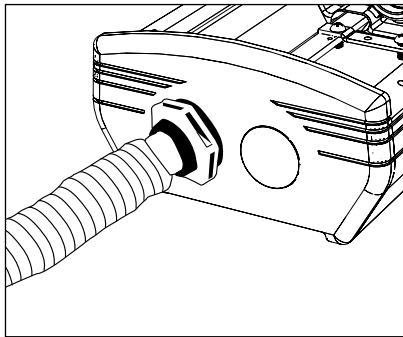


3. Use adjustable strap provided to attach UPM housing to tree. Tighten by pulling on the adjustable strap until secure.

⚠ NOTE: Patented design featuring a silicone 'O' Ring allowing knockout to be tapped back into place to renew seal integrity.

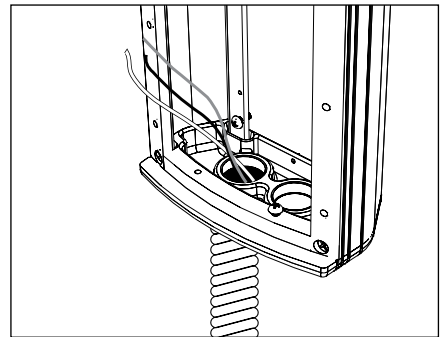


4. Thread safety cable through hole on the back of the UPM housing. Feed safety cable through opposing ends of the connector. Pull on wires to assure the connection is secure. Leave enough slack in safety cable for tree growth. Adjustments can be made by pressing release spring with a pin or 3/64" Allen tool.

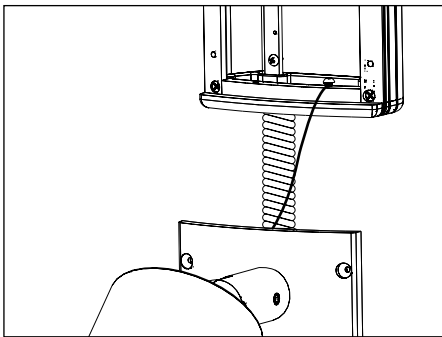


5. Connect 3/4" conduit connector through female threaded conduit entry.

⚠ NOTE: Surface conduit is a common entrance for water if not properly sealed. Seal connector threads and conduit pipe with a suitable sealant (Teflon tape, adhesive, etc). Sealing the conduit after knockouts are removed is required to maintain warranty.

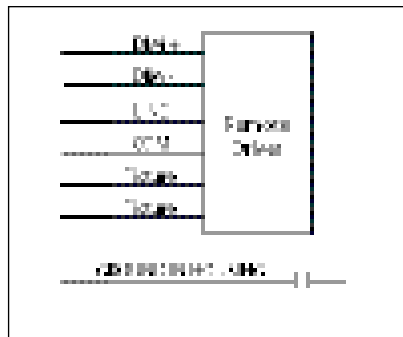


6. Pull branch circuit wiring and dimming control wiring necessary for installation (By Others).



7. Attach tether wire under screw head at the base of the UPM housing and tighten. Slowly lower the faceplate until tether is taut.

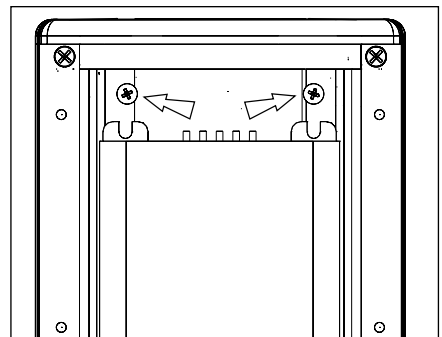
⚠ NOTE: Faceplate tether supplied with UPM is designed as an installation aid and NOT a safety cable. Do not add weight to, or drop faceplate.



WIRING DIAGRAM

8. Use waterproof wire connectors (By Others) to connect driver primary leads to branch circuit wires. Connect incoming ground to ground wire provided in UPM housing. Connect incoming dimming control wires to driver dimming controls. See wiring diagram.

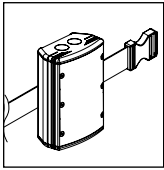
⚠ For use with 31-52 watt dimming driver.



9. Remove two (2) #8-32 screws in UPM housing using Phillips screwdriver.

**IMPORTANT SAFETY INFORMATION LISTED ON REVERSE
READ, FOLLOW, AND SAVE ALL SAFETY AND INSTALLATION INSTRUCTIONS**





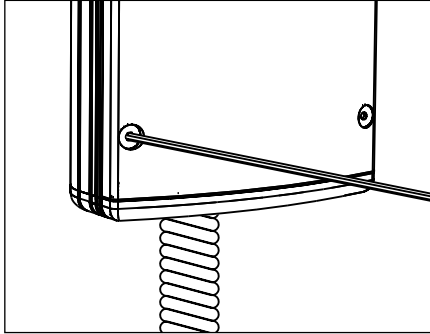
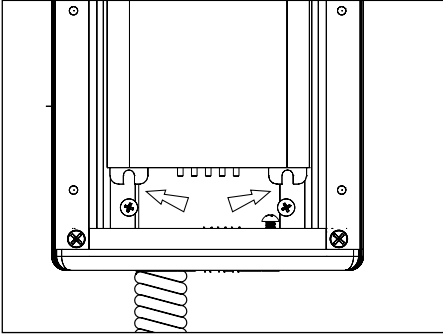
Installation Instructions



PM3RM TREE STRAP™
31W-52W Driver Housing

PROJECT:

TYPE:



- 10. Slide driver feet under two screws in UPM housing and tighten screws using Phillips screwdriver.
- 11. Reinstall #8-32 screws on other side of driver and tighten to secure driver to UPM housing.
- 12. Make sure UPM housing gasket is free of any dirt or debris. Attach the faceplate by tightening the (6) #10-24 captive screws evenly to 30" lbs using a 1/8" Allen wrench.

**IMPORTANT SAFETY INFORMATION LISTED ON REVERSE
READ, FOLLOW, AND SAVE ALL SAFETY AND INSTALLATION INSTRUCTIONS**

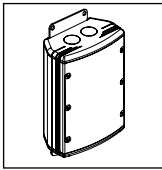


B-K LIGHTING

40429 Brickyard Drive • Madera, CA 93636 • USA
559.438.5800 • FAX 559.438.5900
www.bklighting.com • info@bklighting.com

RELEASED
8-11-16

REFERENCE NUMBER
INS-2187-00



PM3RM SURFACE MOUNT™ 31W-52W Driver Housing

Installation Instructions



Warning



High Voltage



Hot Surface

- NEEDED FOR INSTALLATION:**
- 1/8" Allen Wrench
 - Waterproof Wire Connectors
 - Hammer
 - Phillips Screwdriver
 - 1/4" Drill Bit and Drill
 - Mounting Hardware
- By others

INSTRUCTIONS PERTAINING TO A RISK OF FIRE, OR INJURY TO PERSONS IMPORTANT SAFETY INSTRUCTIONS

Lighted lamp is HOT!

WARNING - To reduce the risk of FIRE OR INJURY TO PERSONS: Turn off/unplug and allow to cool before replacing lamp. Lamp gets HOT quickly! Contact only switch/plug when turning on.

Do not touch hot lens, guard, or enclosure (see diagram/picture).

Keep lamp away from materials that may burn. Do not touch the lamp at any time. Use a soft cloth. Oil from skin may damage lamp.

Do not operate the luminaire fitting with a missing or damaged shield.

SAVE THESE INSTRUCTIONS

IMPORTANT SAFETY INFORMATION - READ, FOLLOW, AND SAVE ALL SAFETY AND INSTALLATION INSTRUCTIONS

- Product must be installed by a qualified person in a manner consistent with its intended use and in compliance with the National Electrical Code, Canadian Electrical Code, and all Local and Provincial Codes.
- Follow product label information and instructions.
- Qualified Personnel must perform all servicing or relamping of this product.
- Before wiring to power supply and during servicing or relamping, turn off power at fuse or circuit breaker before service.
- The use of accessory equipment not recommended by the manufacturer or installed contrary to instructions may cause an unsafe condition. The use of damaged components may cause an unsafe condition and void product warranty.
- Do not block light emanating from product in whole or part, as this may cause an unsafe condition.
- Never operate the fixture with missing or damaged lens. Lens must be cleaned on regular basis.
- Entire fixture may become extremely hot. Do not touch hot lens or fixture body. Do not touch the lamp at any time. Use a clean, dry, soft cloth to handle the lamp. Oil from skin may damage the lamp and cause it to rupture.
- Replace lamp only with correct wattage and type of lamp marked on fixture label.
- All gaskets, o-rings and sealing surfaces must be kept clean during installation and service; failure to do this may cause an unsafe condition and void product warranty.

IMPORTANT LISTINGS AND CERTIFICATIONS

- Suitable for wet locations

REMOTE WIRING

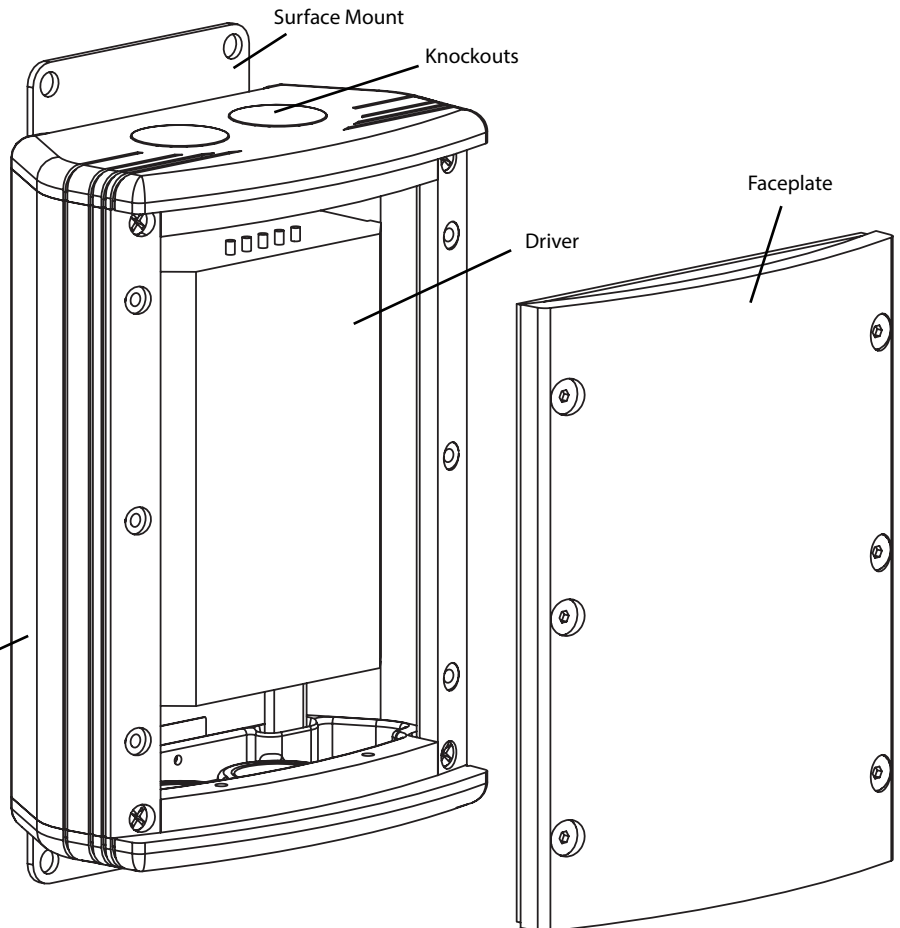
LED Driver

Remote driver installations require inter-connected wiring between the LED and driver (by others). Drivers have specific wiring requirements between these components. Driver manufacturers regularly recommend the following wiring details for such installations:

- Do not exceed 50 foot overall wiring distance using 12 gauge copper wire.

Failure to comply with specific wiring requirements will void product warranty.

PM3RM Housing



* UPM is covered in whole or in part by US patent #6,940,012

IMPORTANT SAFETY INFORMATION - READ, FOLLOW, AND SAVE THESE INSTALLATION INSTRUCTIONS

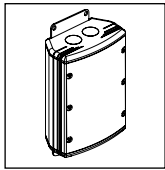
B-K LIGHTING

40429 Brickyard Drive • Madera, CA 93636 • USA
559.438.5800 • FAX 559.438.5900
www.bklighting.com • info@bklighting.com

RELEASED
8-11-16

REFERENCE NUMBER
INS-2187-00

THIS DOCUMENT CONTAINS PROPRIETARY INFORMATION OF B-K LIGHTING, INC. AND ITS RECEIPT OR POSSESSION DOES NOT CONVEY ANY RIGHTS TO REPRODUCE, DISCLOSE ITS CONTENTS, OR TO MANUFACTURE, USE OR SELL ANYTHING IT MAY DESCRIBE. REPRODUCTION, DISCLOSURE OR USE WITHOUT SPECIFIC WRITTEN AUTHORIZATION OF B-K LIGHTING, INC. IS STRICTLY FORBIDDEN.



UNIVERSAL POWER MODULE
UPM

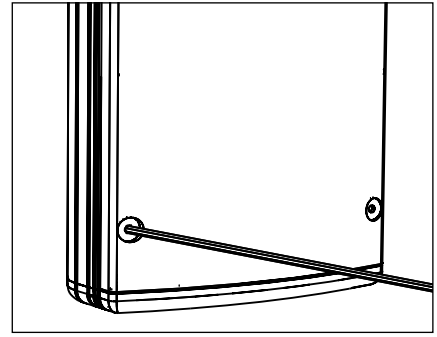
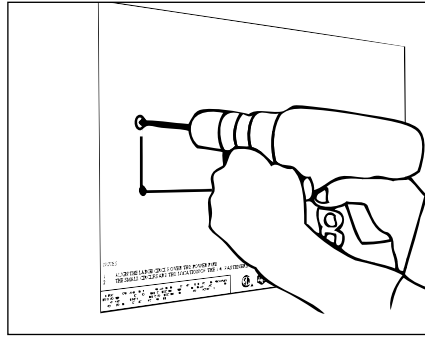
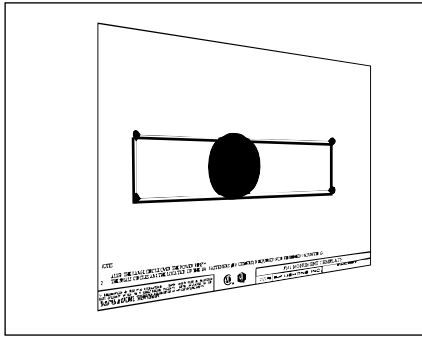
Installation Instructions



PM3RM SURFACE MOUNT™
31W-52W Driver Housing

PROJECT: _____

TYPE: _____

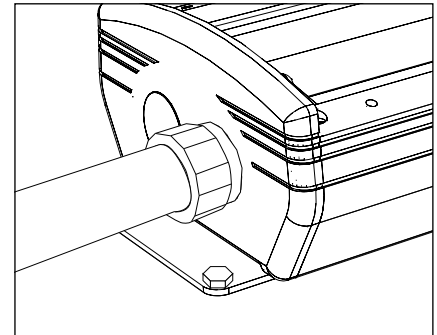
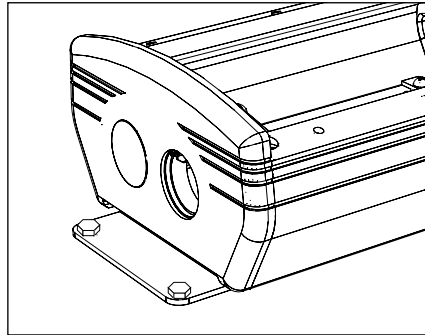
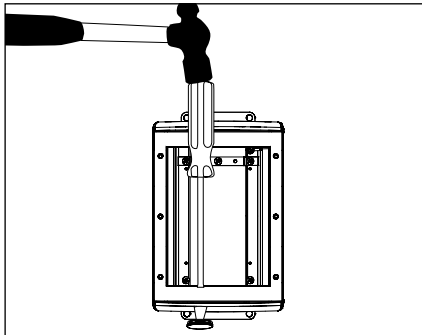


1. Place provided template in final mounting position according to designed lighting plan.

2. Drill holes into surface for 1/4" fasteners (By Others) on locations illustrated on template.

3. Loosen (6) #10-24 captive screws using a 1/8" Allen wrench to remove faceplate of UPM housing.

⚠ **NOTE:** Additional templates are available at <http://www.bklighting.com/templates>



4. Remove Patented Knockout(s) as necessary from the inside of the UPM housing. Leave remaining unused knockouts in place to maintain seal.

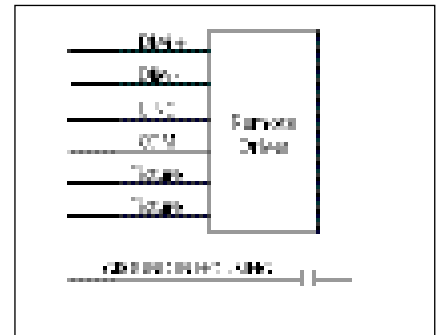
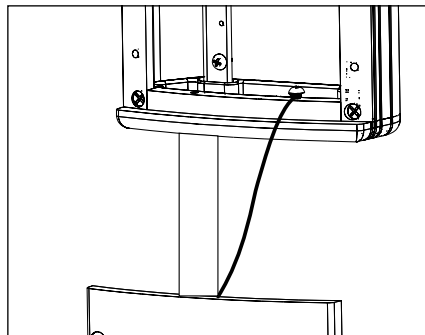
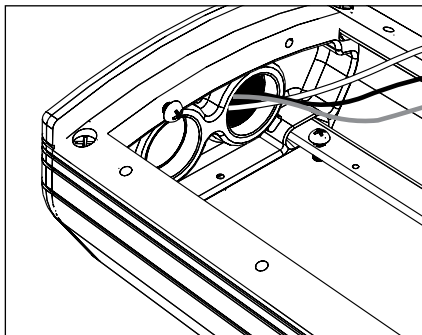
5. Attach the UPM housing at mounting brackets with 1/4" fasteners (By Others). Use suitable mounting hardware for surface.

6. Connect 3/4" conduit connector through female threaded conduit entry.

⚠ **NOTE:** Patented design featuring a silicone 'O' Ring allowing knockout to be tapped back into place to renew seal integrity.

⚠ **NOTE:** Many methods exist to bolt to a flat surface. The fixture is provided with mounting brackets with 1/4" holes.

⚠ **NOTE:** Surface conduit is a common entrance for water if not properly sealed. Seal connector threads and conduit with a suitable sealant (Teflon tape, adhesive, etc.). Sealing the conduit after knockouts are removed is required to maintain warranty.



7. Pull branch circuit wiring and dimming control wiring necessary for installation (By Others.)

8. Attach tether wire under screw head at the base of the UPM housing and tighten. Slowly lower the faceplate until tether is taut.

WIRING DIAGRAM

9. Use waterproof wire connectors (By Others) to connect driver primary leads to branch circuit wires. Connect incoming ground to ground wire provided in UPM housing. Connect incoming dimming control wires to driver dimming controls. See wiring diagram.

⚠ **NOTE:** Faceplate tether supplied with UPM is designed as an installation aid and NOT a safety cable. Do not add weight to, or drop faceplate.

⚠ For use with 31-52 watt dimming driver.

**IMPORTANT SAFETY INFORMATION LISTED ON REVERSE
READ, FOLLOW, AND SAVE ALL SAFETY AND INSTALLATION INSTRUCTIONS**

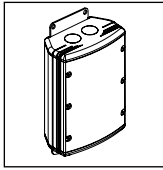


B-K LIGHTING

40429 Brickyard Drive • Madera, CA 93636 • USA
559.438.5800 • FAX 559.438.5900
www.bklighting.com • info@bklighting.com

RELEASED
8-11-16

REFERENCE NUMBER
INS-2187-00



UNIVERSAL POWER MODULE
UPM

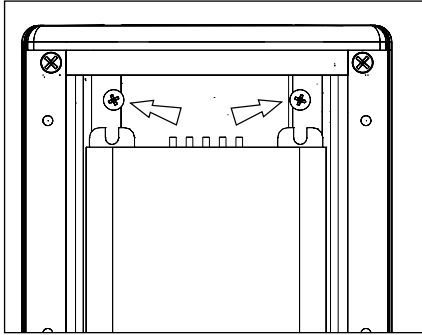
Installation Instructions



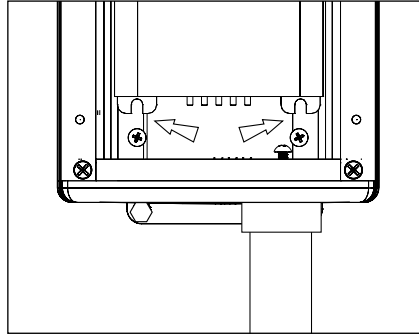
PM3RM SURFACE MOUNT™ 31W-52W Driver Housing

PROJECT:

TYPE:

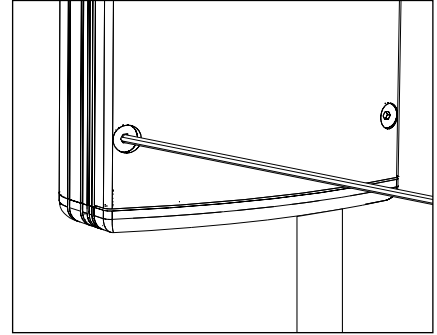


10. Remove two (2) #8-32 screws in UPM housing using Phillips screwdriver.



11. Slide driver feet under two screws in UPM housing and tighten screws using Phillips screwdriver.

12. Reinstall two (2) #8-32 screws on other side of driver and tighten to secure driver to UPM housing.



13. Make sure UPM housing gasket is free of any dirt or debris. Attach the faceplate by tightening the (6) #10-24 captive screws evenly using a 1/8" Allen wrench.

**IMPORTANT SAFETY INFORMATION LISTED ON REVERSE
READ, FOLLOW, AND SAVE ALL SAFETY AND INSTALLATION INSTRUCTIONS**

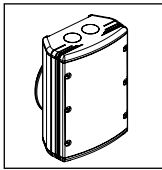


B-K LIGHTING

40429 Brickyard Drive • Madera, CA 93636 • USA
559.438.5800 • FAX 559.438.5900
www.bklighting.com • info@bklighting.com

RELEASED
8-11-16

REFERENCE NUMBER
INS-2187-00



PM3RM CAMLOCK™ 31W-52W Driver Housing

Installation Instructions



Warning



High Voltage



Hot Surface

NEEDED FOR INSTALLATION:

- 1/8" & 9/64" Allen Wrench
- Waterproof Wire Connectors
- Phillips Screwdriver
- Level

By others

INSTRUCTIONS PERTAINING TO A RISK OF FIRE, OR INJURY TO PERSONS IMPORTANT SAFETY INSTRUCTIONS

Lighted lamp is HOT!

WARNING - To reduce the risk of FIRE OR INJURY TO PERSONS: Turn off/unplug and allow to cool before replacing lamp. Lamp gets HOT quickly! Contact only switch/plug when turning on.

Do not touch hot lens, guard, or enclosure (see diagram/picture).

Keep lamp away from materials that may burn. Do not touch the lamp at any time. Use a soft cloth. Oil from skin may damage lamp.

Do not operate the luminaire fitting with a missing or damaged shield.

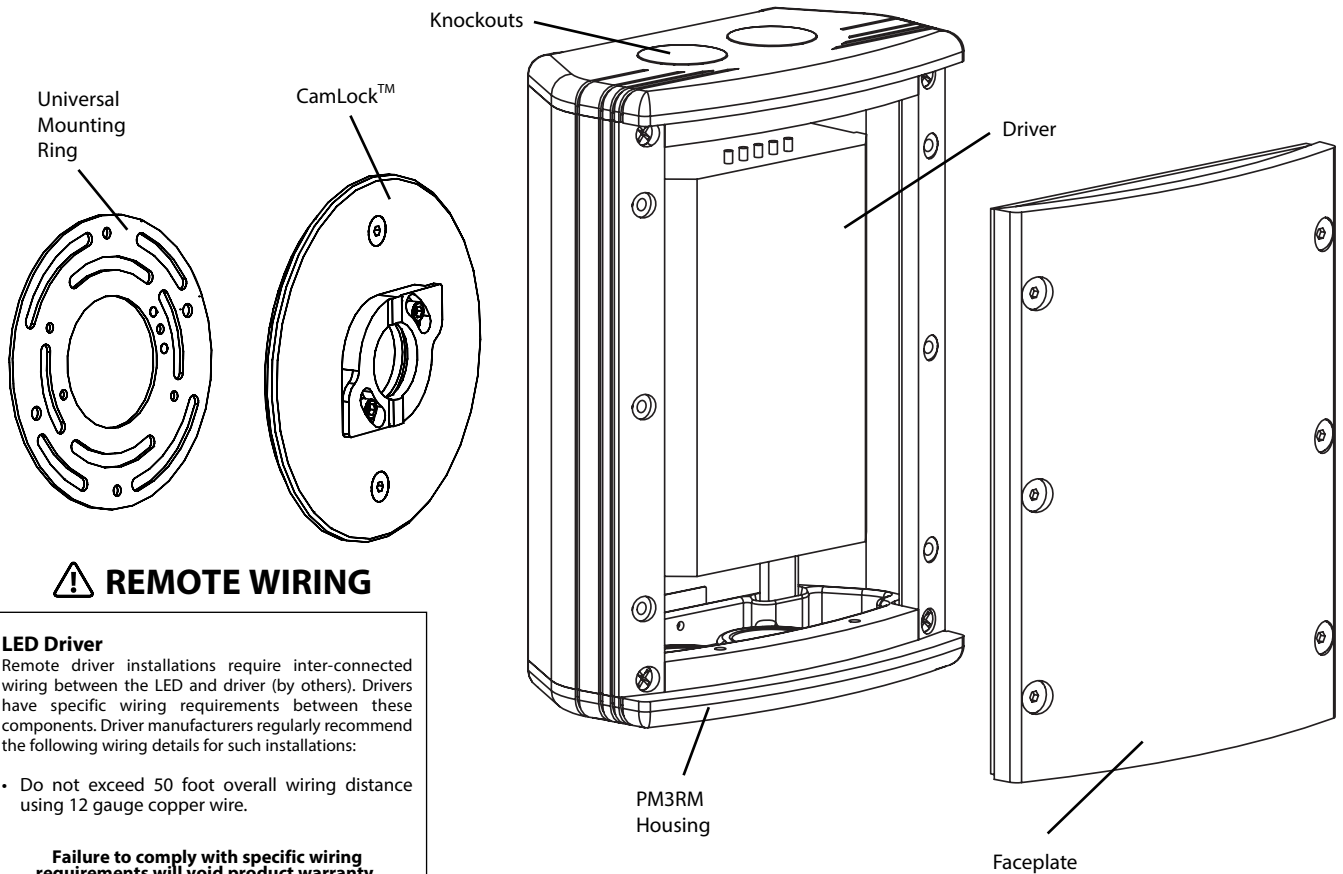
SAVE THESE INSTRUCTIONS

IMPORTANT SAFETY INFORMATION - READ, FOLLOW, AND SAVE ALL SAFETY AND INSTALLATION INSTRUCTIONS

- Product must be installed by a qualified person in a manner consistent with its intended use and in compliance with the National Electrical Code, Canadian Electrical Code, and all Local and Provincial Codes.
- Follow product label information and instructions.
- Qualified Personnel must perform all servicing or relamping of this product.
- Before wiring to power supply and during servicing or relamping, turn off power at fuse or circuit breaker before service.
- The use of accessory equipment not recommended by the manufacturer or installed contrary to instructions may cause an unsafe condition. The use of damaged components may cause an unsafe condition and void product warranty.
- Do not block light emanating from product in whole or part, as this may cause an unsafe condition.
- Never operate the fixture with missing or damaged lens. Lens must be cleaned on regular basis.
- Entire fixture may become extremely hot. Do not touch hot lens or fixture body. Do not touch the lamp at any time. Use a clean, dry, soft cloth to handle the lamp. Oil from skin may damage the lamp and cause it to rupture.
- Replace lamp only with correct wattage and type of lamp marked on fixture label.
- All gaskets, o-rings and sealing surfaces must be kept clean during installation and service; failure to do this may cause an unsafe condition and void product warranty.

IMPORTANT LISTINGS AND CERTIFICATIONS

- Suitable for wet locations



⚠ REMOTE WIRING

LED Driver

Remote driver installations require inter-connected wiring between the LED and driver (by others). Drivers have specific wiring requirements between these components. Driver manufacturers regularly recommend the following wiring details for such installations:

- Do not exceed 50 foot overall wiring distance using 12 gauge copper wire.

Failure to comply with specific wiring requirements will void product warranty.

* UPM is covered in whole or in part by US patent #6,940,012

IMPORTANT SAFETY INFORMATION - READ, FOLLOW, AND SAVE THESE INSTALLATION INSTRUCTIONS

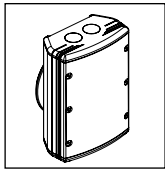
B-K LIGHTING

40429 Brickyard Drive • Madera, CA 93636 • USA
559.438.5800 • FAX 559.438.5900
www.bklighting.com • info@bklighting.com

RELEASED
8-11-16

REFERENCE NUMBER
INS-2187-00

THIS DOCUMENT CONTAINS PROPRIETARY INFORMATION OF B-K LIGHTING, INC. AND ITS RECEIPT OR POSSESSION DOES NOT CONVEY ANY RIGHTS TO REPRODUCE, DISCLOSE ITS CONTENTS, OR TO MANUFACTURE, USE OR SELL ANYTHING IT MAY DESCRIBE. REPRODUCTION, DISCLOSURE OR USE WITHOUT SPECIFIC WRITTEN AUTHORIZATION OF B-K LIGHTING, INC. IS STRICTLY FORBIDDEN.



UNIVERSAL POWER MODULE
UPM

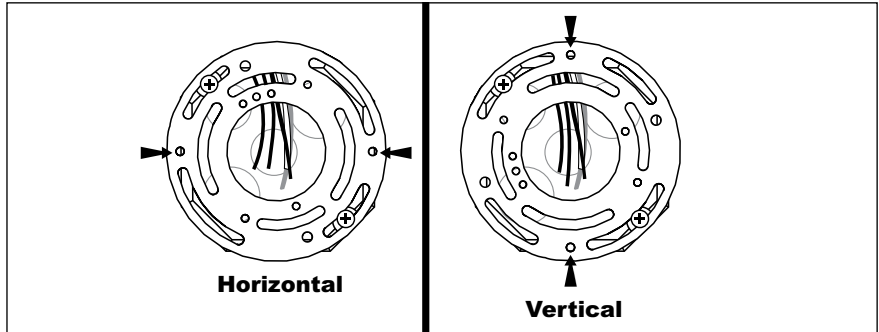
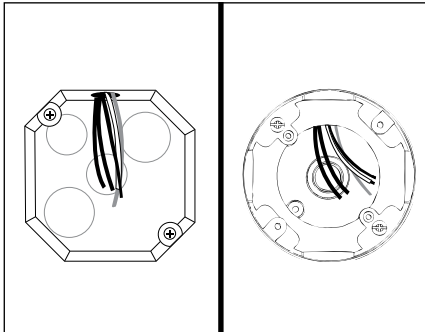
Installation Instructions



PM3RM CAMLOCK™
31W-52W Driver Housing

PROJECT:

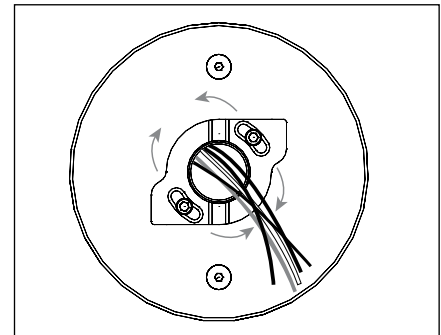
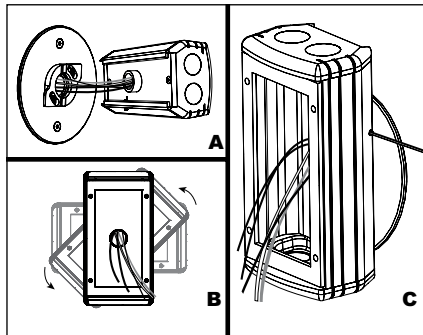
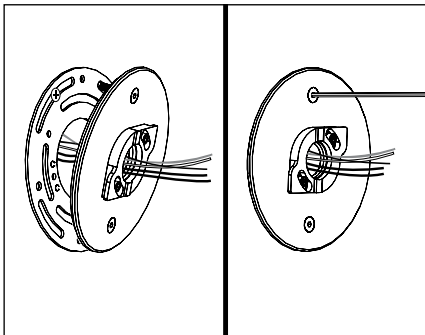
TYPE:



1. Install standard 4" octagonal/round recessed junction box in the final fixture location according to designed lighting plan.
2. Pull branch circuit wiring and dimming control wiring necessary for installation (By Others.)

3. Install universal mounting ring.

⚠ IMPORTANT!! Orientation of universal ring will affect orientation of UPM! Take note of mounting plate holes (indicated with arrows) on the universal ring holes to mount UPM in correct orientation.

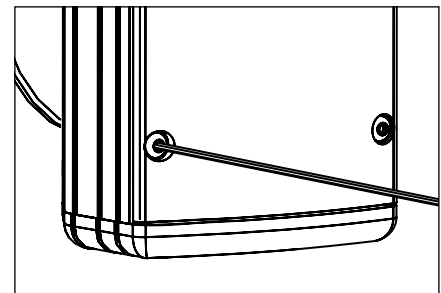
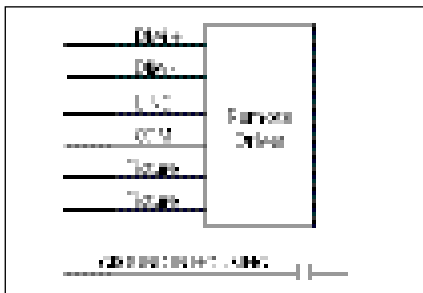
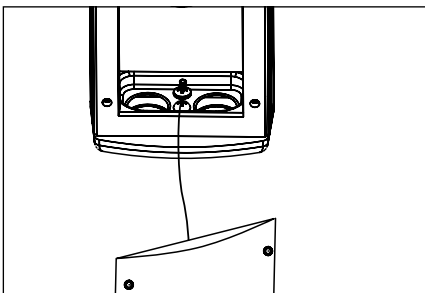


4. Feed branch circuit wiring and dimming control wiring through mounting plate with CamLock™ assembly. Attach mounting plate with supplied (2) #10-24 stainless steel hex drive fasteners to universal ring using 1/8" Allen wrench.

5. Feed branch circuit wiring and dimming control wiring into UPM housing. Install housing on CamLock™ at 90° to finished orientation as shown. (Figure A)

7. If UPM housing is not level, remove UPM housing; loosen but **DO NOT REMOVE** (2) #8-32 screws with 9/64" Allen wrench on CamLock™ assembly. Adjust CamLock™ assembly up to 30° as needed to level. Tighten the screws and reattach UPM housing.

6. Rotate housing 90° counter-clockwise (Figure B). Tighten set screw with 5/64" Allen wrench on outside of UPM housing to lock in place. (Figure C)



8. Attach tether wire under screw head at the base of the UPM housing. Slowly lower the faceplate until tether is taut.

9. Use waterproof wire connectors (By Others) to connect driver primary leads to branch circuit wires. Connect incoming ground to ground wire provided in UPM housing. Connect incoming dimming control wires to driver dimming controls **See wiring diagram.**

10. Make sure UPM housing gasket is free of any dirt or debris. Attach the faceplate by tightening the (6) #10-24 captive screws evenly using a 1/8" Allen wrench.

⚠ NOTE: Faceplate tether supplied with UPM is designed as an installation aid and NOT a safety cable. Do not add weight to, or drop faceplate.

⚠ For use with 31-52 watt dimming driver.

**IMPORTANT SAFETY INFORMATION LISTED ON REVERSE
READ, FOLLOW, AND SAVE ALL SAFETY AND INSTALLATION INSTRUCTIONS**



B-K LIGHTING

40429 Brickyard Drive • Madera, CA 93636 • USA
559.438.5800 • FAX 559.438.5900
www.bklighting.com • info@bklighting.com

RELEASED
8-11-16

REFERENCE NUMBER
INS-2187-00