

DENALI UPLIGHT SURFACE MOUNT

Standard Instructions



Warning



Flammable



Low Voltage



Hot Surface

TOOLS NEEDED:



5/64", 9/64" & .050" Allen Wrench

Waterproof Wire Connectors

Silicone

INSTRUCTIONS PERTAINING TO A RISK OF FIRE, OR INJURY TO PERSONS IMPORTANT SAFETY INSTRUCTIONS

Lighted fixture is HOT!

WARNING - To reduce the risk of FIRE OR INJURY TO PERSONS:

Turn off/unplug and allow to cool before replacing lamp/LED. Fixture gets HOT quickly! Contact only switch/plug when turning on. Do not touch hot lens, guard, or enclosure. Keep fixture away from materials that may burn. Do not operate the luminaire fitting with a missing or damaged shield. Do not touch the source at any time. Use a soft cloth or gloves. Oil from skin may cause damage.

SAVE THESE INSTRUCTIONS

IMPORTANT SAFETY INFORMATION - READ, FOLLOW, AND SAVE ALL SAFETY AND INSTALLATION INSTRUCTIONS

- Product must be installed by a qualified person in a manner consistent with its intended use and in compliance with the National Electrical Code, Canadian Electrical Code, and all Local and Provincial Codes.
- Follow product label information and instructions.
- Qualified Personnel with appropriate personal protective equipment must perform all servicing of this product.
- Before wiring to power supply and during servicing, turn off and lock out power at fuse or circuit breaker before service.
- The use of accessory equipment not recommended by the manufacturer or installed contrary to instructions may cause an unsafe condition. The use of damaged components may cause an unsafe condition and void product warranty.
- Do not block light emanating from product in whole or part, as this may cause an unsafe condition.
- Never operate the fixture with missing or damaged lens. Lens must be cleaned on regular basis.
- Entire fixture may become extremely hot. Do not touch hot lens or fixture body.
- Replace LED assembly only with correct wattage and type of power supply appropriate for LED assembly.
- All gaskets, o-rings and sealing surfaces must be kept clean during installation and service; failure to do this may cause an unsafe condition and void product warranty.

IMPORTANT LISTINGS AND CERTIFICATIONS

- Suitable for wet locations

Proper soil preparation is recommended before installation. See the DIG-IT guide at www.bklighting.com/collaterals/install/digit.pdf for more information.

⚠ REMOTE WIRING

LED Driver

Remote driver installations require inter-connected wiring between the LED and driver. Drivers have specific wiring requirements between these components. Driver manufacturers regularly recommend the following wiring details for such installations:

- Do not exceed 50 foot overall wiring distance using 12 gauge copper wire.

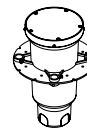
Failure to comply with specific wiring requirements will void product warranty.

⚠ DRIVER HOUSING REQUIRED

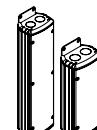
Please refer to specified remote driver housing documentation for detailed installation instructions.

REMOTE DRIVER HOUSINGS:

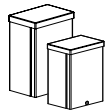
- HP2RM - HP2 Remote Housing
- PM2RM - Universal Power Module 2 Remote
- PM2DRM - Universal Power Module 2 Dual Remote
- RM - Remote Wall Mount
- DRM - Dual Remote Wall Mount



HP2RM

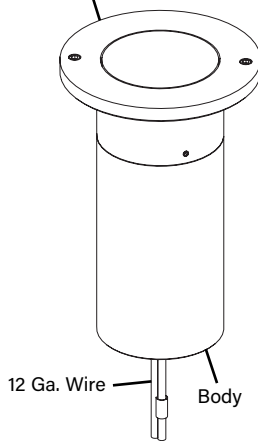


PM2RM & PM2DRM



RM & DRM

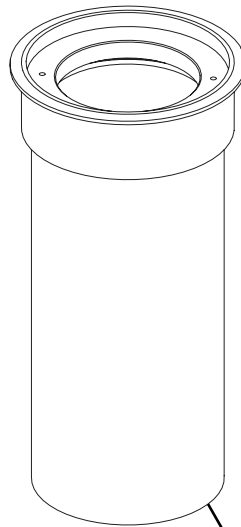
Faceplate



12 Ga. Wire

Body

Surface Mount Collar



PVC Housing

⚠ INSTALLATION

Surface mount uplights are intended for installation in wood, pavers, stone, and other hardscapes.

Not recommended for concrete pour installations.

IMPORTANT SAFETY INFORMATION - READ, FOLLOW, AND SAVE THESE INSTALLATION INSTRUCTIONS

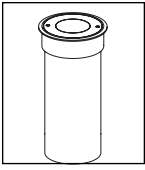
B-K LIGHTING

40429 Brickyard Drive • Madera, CA 93636 • USA
559.438.5800 • FAX 559.438.5900
www.bklighting.com • info@bklighting.com

RELEASE DATE
07/31/2023

REFERENCE NUMBER
INS-2863-00

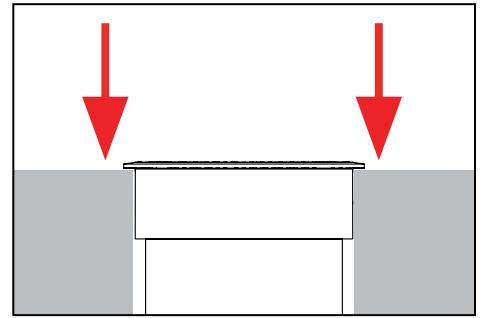
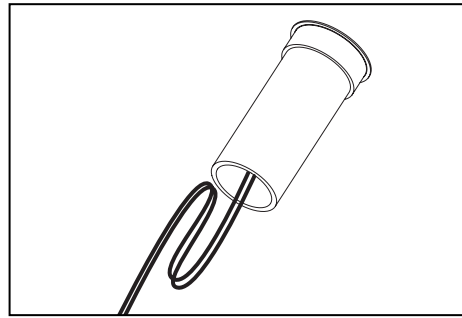
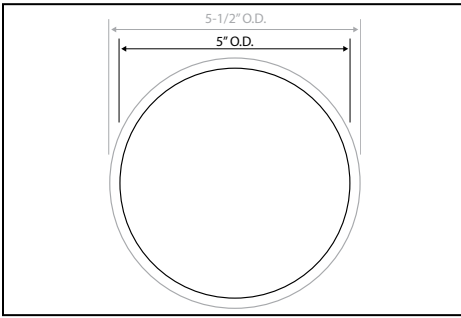
THIS DOCUMENT CONTAINS PROPRIETARY INFORMATION OF B-K LIGHTING, INC. AND ITS RECEIPT OR POSSESSION DOES NOT CONVEY ANY RIGHTS TO REPRODUCE, DISCLOSE ITS CONTENTS, OR TO MANUFACTURE, USE OR SELL ANYTHING IT MAY DESCRIBE. REPRODUCTION, DISCLOSURE OR USE WITHOUT SPECIFIC WRITTEN AUTHORIZATION OF B-K LIGHTING, INC. IS STRICTLY FORBIDDEN.



DENALI UPLIGHT

SURFACE MOUNT

Standard Instructions



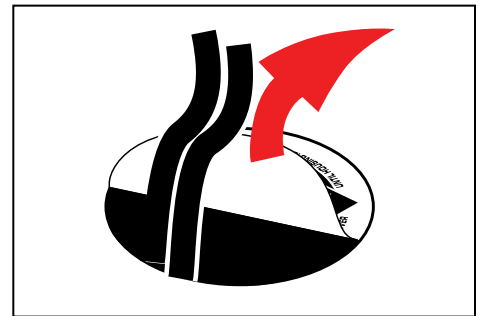
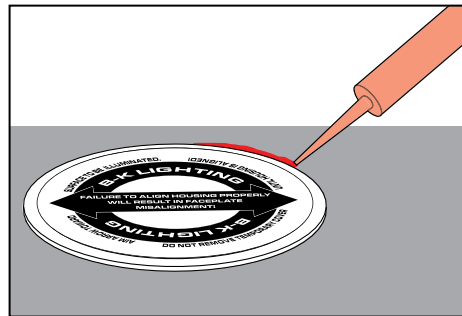
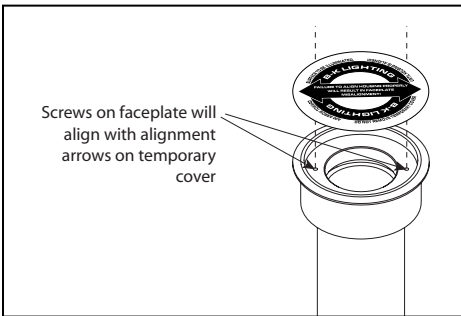
1. Drill 5" diameter hole into mounting surface at upright installation location as per lighting plan.
2. Loop minimum of 6" of wiring inside housing to allow for fixture service.
3. Place housing into hole. Surface mount collar should rest on finished surface grade.

Do not exceed surface diameter, installation relies on surface mount collar resting on surface grade. Collar diameter is 5". Surface mount flange is 5-1/2" diameter

⚠ NOTE: Do not remove temporary cover!

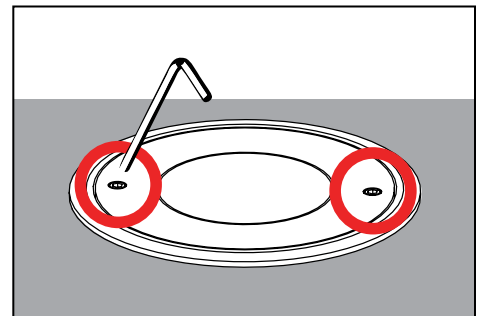
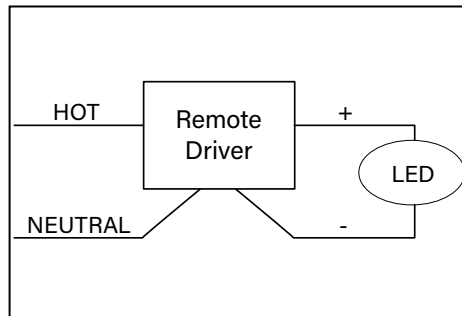
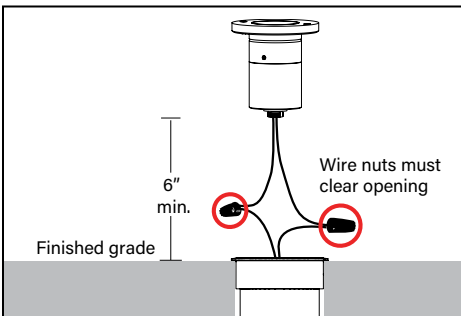
⚠ NOTE: Do not remove temporary cover!

Pull secondary wiring from remote driver.



4. Align holes to final installation orientation. Arrows on temporary cover point towards screw location on faceplate for alignment purposes.
5. Use a silicone based sealant between fixture and mounting surface.
6. Remove temporary cover and pull out remote wiring.

⚠ NOTE: Do not remove temporary cover until installation of faceplate.

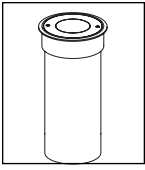


7. Access remote wiring inside housing. Make watertight connections using waterproof wire connectors, matching polarity. Fixture leads are labeled. Wire nuts must clear opening. Insert fixture, wiring and connections into housing. **See wiring diagram.**
8. Mount faceplate to collar using two (2) #8-32 screws with a 9/64" allen wrench.

WIRING DIAGRAM
⚠ Warning: Fixture leads are labeled. Do not reverse polarity. This will void warranty.

**IMPORTANT SAFETY INFORMATION LISTED ON REVERSE
 READ, FOLLOW, AND SAVE ALL SAFETY AND INSTALLATION INSTRUCTIONS**



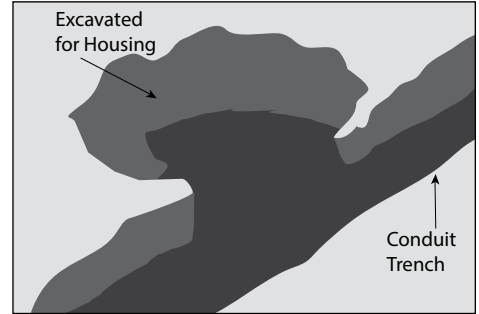
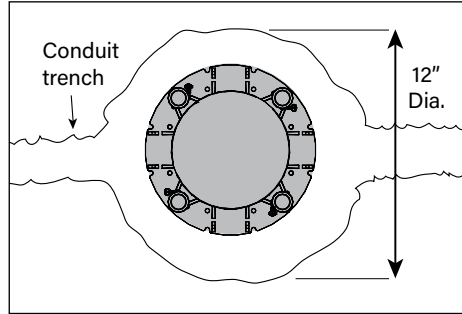


DENALI UPLIGHT SURFACE MOUNT

Standard Instructions

In-Ground Installation Instructions

Soil Prep

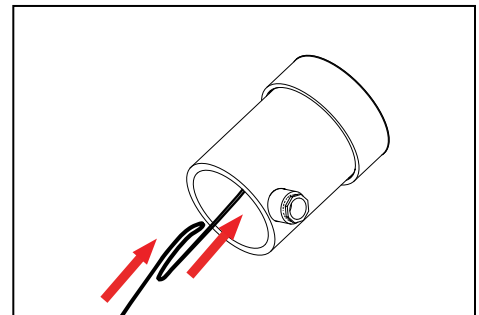
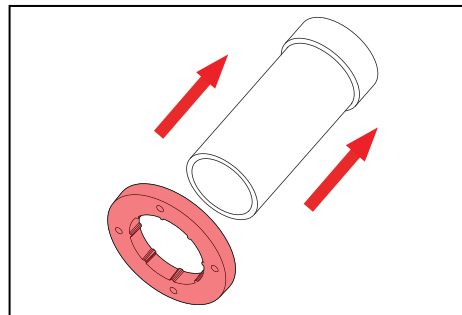
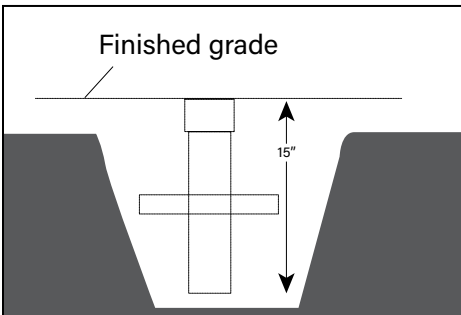


A. Determine Soil Type by referencing DIG-IT Guide. Prep soil according to DIG-IT Guide.

B. Dig hole 15" wide and 12" deep.

C. Prep soil according to DIG-IT Guide.

Fixture Installation



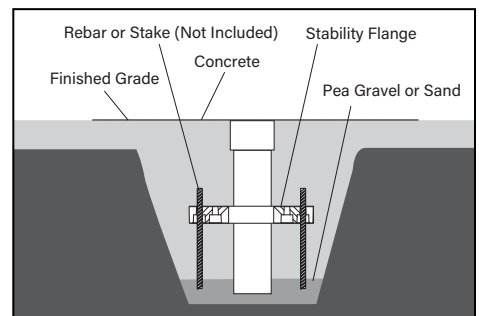
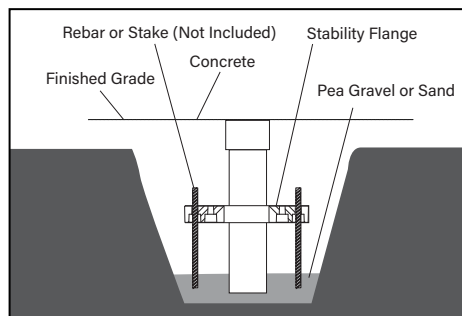
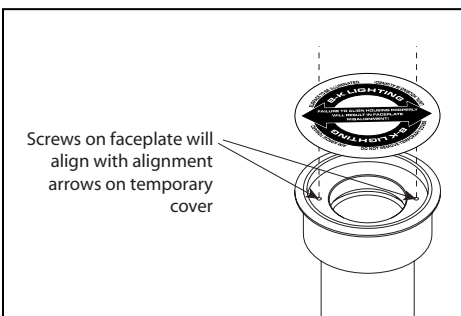
1. Excavate trench according to designed lighting plan 15" deep and 12" wide suitable for the fixture housing.
2. Supply remote wiring necessary for installation.

3. Slide stability flange onto housing.

4. Loop minimum of 6" of low voltage wire inside housing to allow for fixture service. Place fixture in hole.

NOTE: Product is supplied with a stability flange to anchor fixture and aid in installation.

NOTE: Do not remove temporary cover!



5. Align holes to final installation orientation. Arrows on temporary cover point towards screw location on faceplate for alignment purposes.

6. Per DIG-IT Guide, backfill the gap between the bottom of housing and bottom of hole with sand or pea gravel for drainage.

7. Fill with soil, then compress. Layer paver sand as required for paver installation, then install pavers. Pavers may need to be cut to fit around housing.

NOTE: Do not remove temporary cover until installation of faceplate.

NOTE: The mounting collar must be flush to finished grade. Use stability flange to aid in installation as shown.

**IMPORTANT SAFETY INFORMATION LISTED ON REVERSE
READ, FOLLOW, AND SAVE ALL SAFETY AND INSTALLATION INSTRUCTIONS**

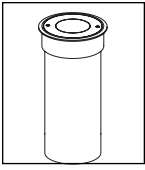


B-K LIGHTING

40429 Brickyard Drive • Madera, CA 93636 • USA
559.438.5800 • FAX 559.438.5900
www.bklighting.com • info@bklighting.com

RELEASE DATE
07/31/2023

REFERENCE NUMBER
INS-2863-00

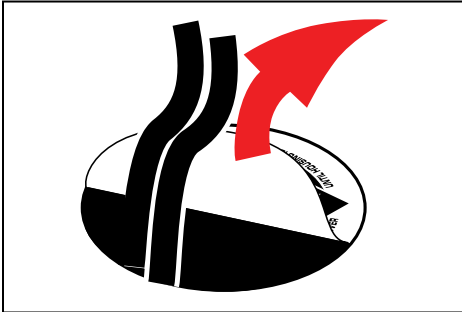


DENALI UPLIGHT

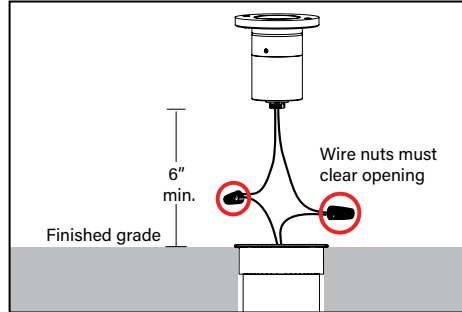
SURFACE MOUNT

Standard Instructions

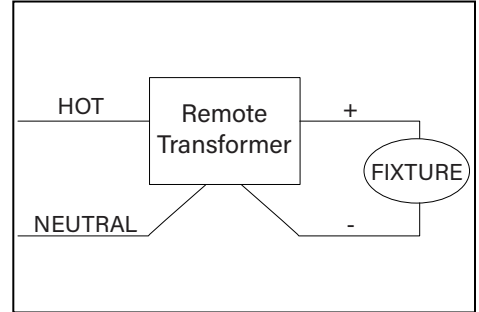
In-Ground Installation Instructions



8. Remove temporary cover and pull out remote wiring.

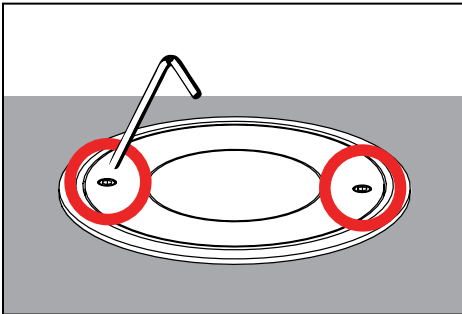


9. Access remote wiring inside housing. Make watertight connections using waterproof wire connectors. Wire connectors must clear opening. Insert fixture, wiring and connections into housing. **See wiring diagram.**



WIRING DIAGRAM

⚠ LED - For use with 12VAC LED remote transformer or magnetic transformers only. B-K Lighting cannot guarantee performance with third party manufacturers' transformers.



10. Mount faceplate to collar using two (2) #8-32 flat head screws (included) with a 9/64" allen wrench.

**IMPORTANT SAFETY INFORMATION LISTED ON REVERSE
READ, FOLLOW, AND SAVE ALL SAFETY AND INSTALLATION INSTRUCTIONS**

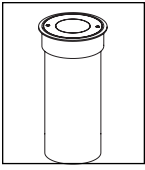


B-K LIGHTING

40429 Brickyard Drive • Madera, CA 93636 • USA
559.438.5800 • FAX 559.438.5900
www.bklighting.com • info@bklighting.com

RELEASE DATE
07/31/2023

REFERENCE NUMBER
INS-2863-00



DENALI UPLIGHT

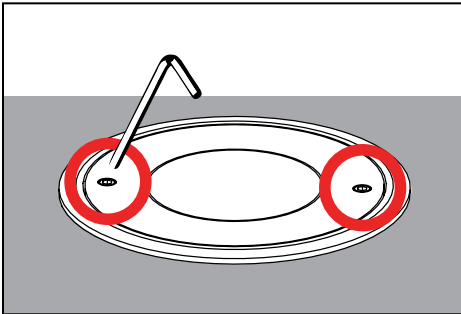
SURFACE MOUNT

Standard Instructions

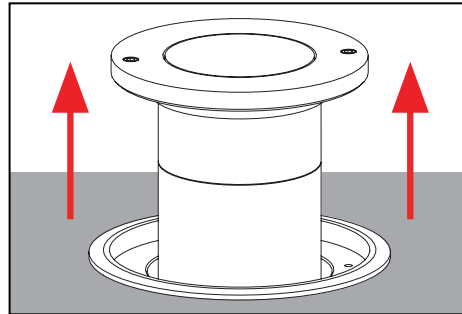


This product is available with field replaceable components. Exclusive interchangeable OPTIKITS and modular LED components with quick disconnects simplifies upgrades and maintenance when necessary.

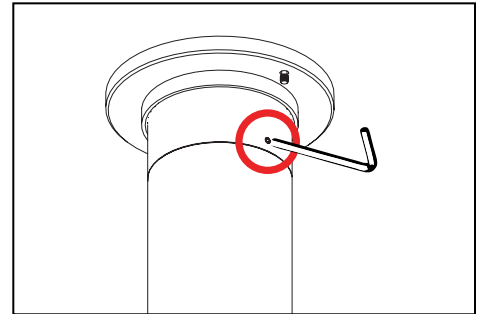
Fixture Relamping



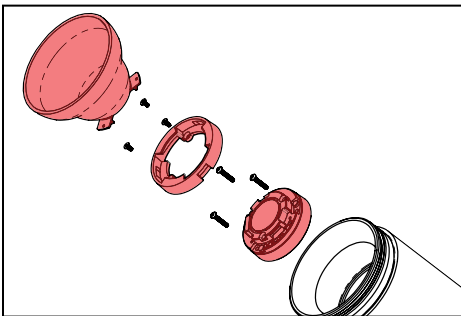
1. Remove faceplate from collar using two (2) #8-32 faceplate screws with a 9/64" allen wrench.



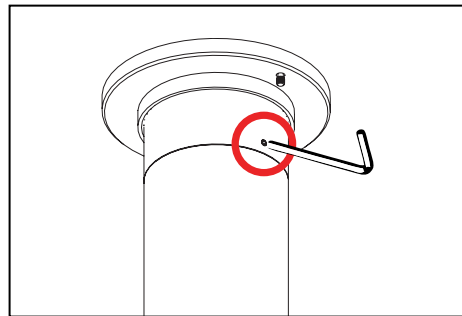
2. Remove fixture from collar.



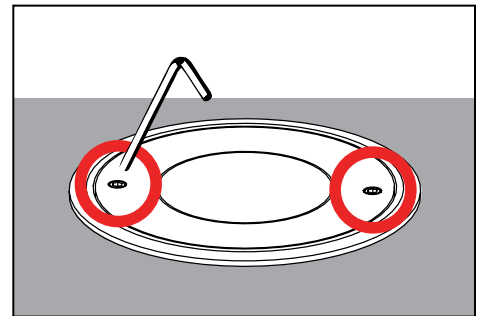
3. Loosen three (3) #8-32 set screws with a 5/64" allen wrench to remove cap from fixture body.



4. Remove optic by turning to the left and lift up. Unscrew fasteners on optic holder using a .050" allen wrench, grasp optic holder and gently pull upward to remove LED component. Install optic holder onto new LED component and reverse installation onto fixture body.



5. Tighten three (3) #8-32 set screws with a 5/64" allen wrench to replace cap on fixture body.



6. Replace faceplate, then replace fixture in mounting collar. Mount faceplate to collar using two (2) #8-32 screws with a 9/64" allen wrench. **Do not overtighten.**

**IMPORTANT SAFETY INFORMATION LISTED ON REVERSE
READ, FOLLOW, AND SAVE ALL SAFETY AND INSTALLATION INSTRUCTIONS**

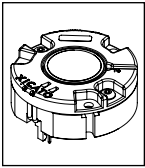


B-K LIGHTING

40429 Brickyard Drive • Madera, CA 93636 • USA
559.438.5800 • FAX 559.438.5900
www.bklighting.com • info@bklighting.com

RELEASE DATE
07/31/2023

REFERENCE NUMBER
INS-2863-00



LED BOARD / OPTICS

CHIP ON BOARD TECHNOLOGY (x58-63)

Standard Installation Replacement



Warning



Hot Surface

TOOLS NEEDED:	.050" & 5/64" Allen Wrench
----------------------	----------------------------

INSTRUCTIONS PERTAINING TO A RISK OF FIRE, OR INJURY TO PERSONS IMPORTANT SAFETY INSTRUCTIONS

Lighted fixture is HOT!

WARNING - To reduce the risk of FIRE OR INJURY TO PERSONS:

Turn off/unplug and allow to cool before replacing lamp/LED. Fixture gets HOT quickly! Contact only switch/plug when turning on. Do not touch hot lens, guard, or enclosure. Keep fixture away from materials that may burn. Do not operate the luminaire fitting with a missing or damaged shield. Do not touch the source at any time. Use a soft cloth or gloves. Oil from skin may cause damage.

SAVE THESE INSTRUCTIONS

IMPORTANT SAFETY INFORMATION - READ, FOLLOW, AND SAVE ALL SAFETY AND INSTALLATION INSTRUCTIONS

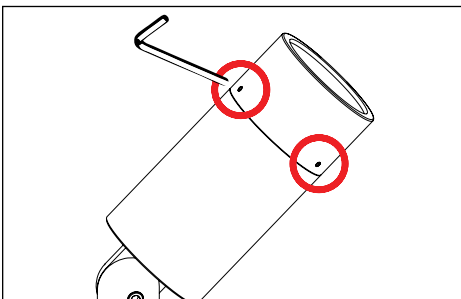
- Product must be installed by a qualified person in a manner consistent with its intended use and in compliance with the National Electrical Code, Canadian Electrical Code, and all Local and Provincial Codes.
- Follow product label information and instructions.
- Qualified Personnel with appropriate personal protective equipment must perform all servicing of this product.
- Before wiring to power supply and during servicing, turn off and lock out power at fuse or circuit breaker before service.
- The use of accessory equipment not recommended by the manufacturer or installed contrary to instructions may cause an unsafe condition. The use of damaged components may cause an unsafe condition and void product warranty.
- Do not block light emanating from product in whole or part, as this may cause an unsafe condition.
- Never operate the fixture with missing or damaged lens. Lens must be cleaned on regular basis.
- Entire fixture may become extremely hot. Do not touch hot lens or fixture body.
- Replace LED assembly only with correct wattage and type of power supply appropriate for LED assembly.
- All gaskets, o-rings and sealing surfaces must be kept clean during installation and service; failure to do this may cause an unsafe condition and void product warranty.

IMPORTANT LISTINGS AND CERTIFICATIONS

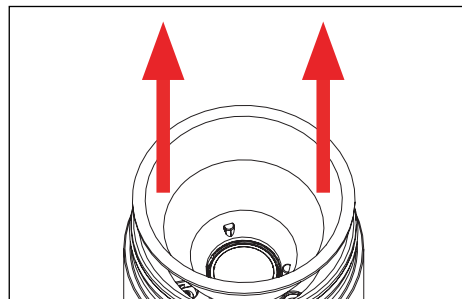
- Suitable for wet locations



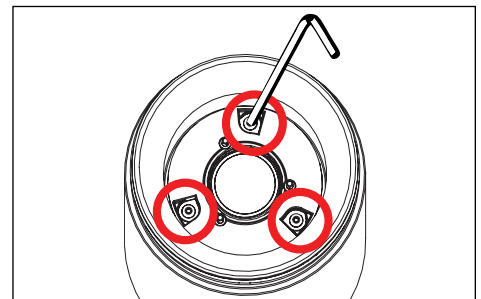
This product is available with field replaceable components. Exclusive interchangeable modular LED components with quick disconnects simplifies upgrades and maintenance when necessary.



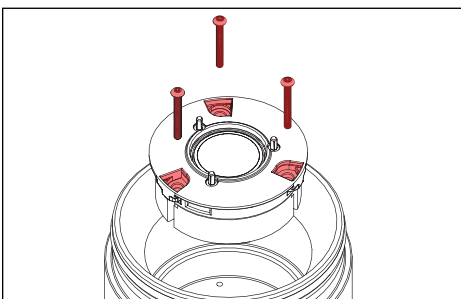
1. Use a 5/64" allen wrench to slightly loosen three (3) #8-32 stainless steel set screws to remove cap.



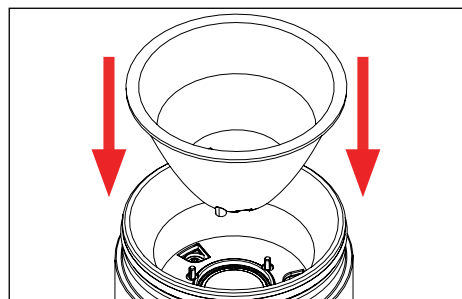
2. Remove optic by pulling gently and lift up.



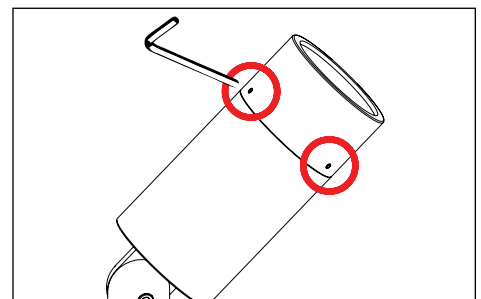
3. Use a .050" allen wrench to loosen three (3) set screws holding optic holder and LED module.



4. Gently lift LED module and disconnect from fixture. Install new LED module. Secure set screws through LED module and optic holder using a .050" allen wrench.



5. Replace optic by lining tabs with optic holder, then pressing down gently until secured into place.



6. Place cap on fixture and tighten set screws until they are flush with the cap.

⚠ Do not pull on connector or wiring. Handle with care.

⚠ Warning: Do not over tighten set screws. Doing so will compromise o-ring seal and will void warranty. Cap should be able to rotate without force.

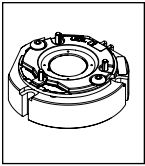
IMPORTANT SAFETY INFORMATION - READ, FOLLOW, AND SAVE THESE INSTALLATION INSTRUCTIONS

B-K LIGHTING

40429 Brickyard Drive • Madera, CA 93636 • USA
559.438.5800 • FAX 559.438.5900
www.bklighting.com • info@bklighting.com

RELEASE DATE
07/31/2023

REFERENCE NUMBER
INS000010



LED BOARD / OPTICS

CHIP ON BOARD TECHNOLOGY (x64-x66)

Standard Installation Replacement



Warning



Hot Surface

TOOLS
NEEDED:

.050" & 5/64" Allen Wrench

INSTRUCTIONS PERTAINING TO A RISK OF FIRE, OR INJURY TO PERSONS IMPORTANT SAFETY INSTRUCTIONS

Lighted fixture is HOT!

WARNING - To reduce the risk of FIRE OR INJURY TO PERSONS:

Turn off/unplug and allow to cool before replacing lamp/LED. Fixture gets HOT quickly! Contact only switch/plug when turning on. Do not touch hot lens, guard, or enclosure. Keep fixture away from materials that may burn. Do not operate the luminaire fitting with a missing or damaged shield. Do not touch the source at any time. Use a soft cloth or gloves. Oil from skin may cause damage.

SAVE THESE INSTRUCTIONS

IMPORTANT SAFETY INFORMATION - READ, FOLLOW, AND SAVE ALL SAFETY AND INSTALLATION INSTRUCTIONS

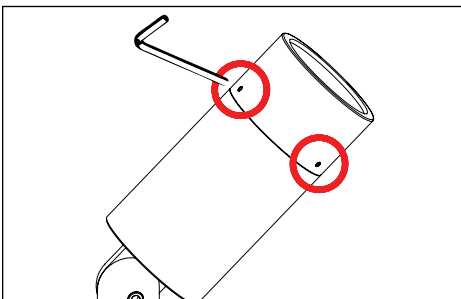
- Product must be installed by a qualified person in a manner consistent with its intended use and in compliance with the National Electrical Code, Canadian Electrical Code, and all Local and Provincial Codes.
- Follow product label information and instructions.
- Qualified Personnel with appropriate personal protective equipment must perform all servicing of this product.
- Before wiring to power supply and during servicing, turn off and lock out power at fuse or circuit breaker before service.
- The use of accessory equipment not recommended by the manufacturer or installed contrary to instructions may cause an unsafe condition. The use of damaged components may cause an unsafe condition and void product warranty.
- Do not block light emanating from product in whole or part, as this may cause an unsafe condition.
- Never operate the fixture with missing or damaged lens. Lens must be cleaned on regular basis.
- Entire fixture may become extremely hot. Do not touch hot lens or fixture body.
- Replace LED assembly only with correct wattage and type of power supply appropriate for LED assembly.
- All gaskets, o-rings and sealing surfaces must be kept clean during installation and service; failure to do this may cause an unsafe condition and void product warranty.

IMPORTANT LISTINGS AND CERTIFICATIONS

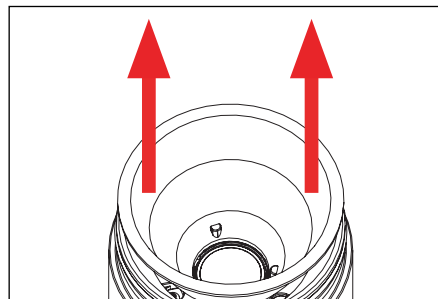
- Suitable for wet locations



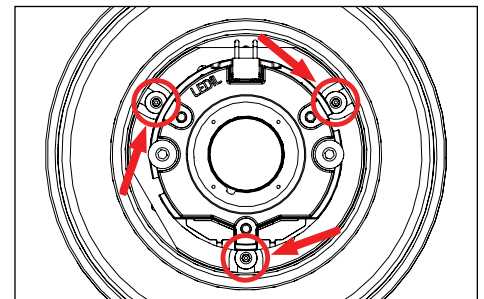
This product is available with field replaceable components. Exclusive interchangeable modular LED components with quick disconnects simplifies upgrades and maintenance when necessary.



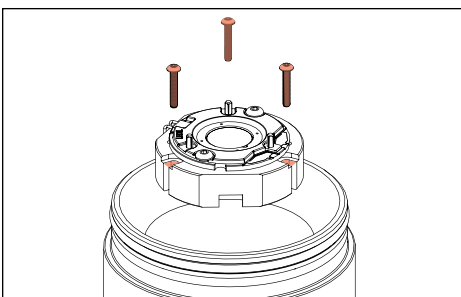
1. Use a 5/64" allen wrench to slightly loosen three (3) #8-32 stainless steel set screws to remove cap.



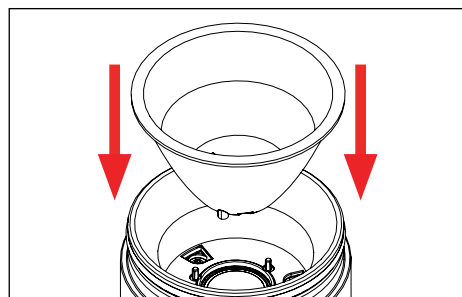
2. Remove optic by pulling gently and lift up.



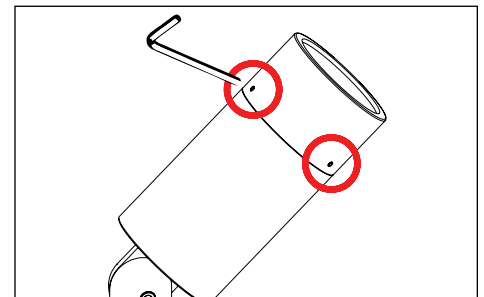
3. Use a .050" allen wrench to loosen three (3) set screws holding LED module. Gently lift from fixture.



4. Gently lift LED module and disconnect from fixture. Install new LED module. Secure set screws using a .050" allen wrench.



5. Replace optic by lining notches with optic holder, then pressing down gently until secured into place.



6. Place cap on fixture and tighten set screws until they are flush with the cap.

⚠ Do not pull on connector or wiring. Handle with care.

⚠ Warning: Do not over tighten set screws. Doing so will compromise o-ring seal and will void warranty. Cap should be able to rotate without force.

IMPORTANT SAFETY INFORMATION - READ, FOLLOW, AND SAVE THESE INSTALLATION INSTRUCTIONS

B-K LIGHTING

40429 Brickyard Drive • Madera, CA 93636 • USA
559.438.5800 • FAX 559.438.5900
www.bklighting.com • info@bklighting.com

RELEASE DATE
07/31/2023

REFERENCE NUMBER
INS000010