

## Standard Installation



Flammable



Warning



Low Voltage



Hot Surface

### TOOLS NEEDED:



- 3/16" Allen Wrench
- Waterproof Wire Connectors
- Inspiration Control System on iOS Device

## INSTRUCTIONS PERTAINING TO A RISK OF FIRE, OR INJURY TO PERSONS IMPORTANT SAFETY INSTRUCTIONS

### Lighted fixture is HOT!

#### WARNING - To reduce the risk of FIRE OR INJURY TO PERSONS:

Turn off/unplug and allow to cool before replacing lamp/LED. Fixture gets HOT quickly! Contact only switch/plug when turning on. Do not touch hot lens, guard, or enclosure. Keep fixture away from materials that may burn. Do not operate the luminaire fitting with a missing or damaged shield. Do not touch the source at any time. Use a soft cloth or gloves. Oil from skin may cause damage.

**SAVE THESE INSTRUCTIONS**

## IMPORTANT SAFETY INFORMATION - READ, FOLLOW, AND SAVE ALL SAFETY AND INSTALLATION INSTRUCTIONS

- Product must be installed by a qualified person in a manner consistent with its intended use and in compliance with the National Electrical Code, Canadian Electrical Code, and all Local and Provincial Codes.
- Follow product label information and instructions.
- Qualified Personnel with appropriate personal protective equipment must perform all servicing of this product.
- Before wiring to power supply and during servicing, turn off and lock out power at fuse or circuit breaker before service.
- The use of accessory equipment not recommended by the manufacturer or installed contrary to instructions may cause an unsafe condition. The use of damaged components may cause an unsafe condition and void product warranty.
- Do not block light emanating from product in whole or part, as this may cause an unsafe condition.
- Never operate the fixture with missing or damaged lens. Lens must be cleaned on regular basis.
- Entire fixture may become extremely hot. Do not touch hot lens or fixture body.
- Replace LED assembly only with correct wattage and type of power supply appropriate for LED assembly.
- All gaskets, o-rings and sealing surfaces must be kept clean during installation and service; failure to do this may cause an unsafe condition and void product warranty.

## IMPORTANT LISTINGS AND CERTIFICATIONS

- Suitable for wet locations

## ⚠ Device Requirements

⚠ iOS device with installed Inspiration Control System App is required for Bluetooth® Wireless Control.

Bluetooth® version 4.0 or higher required.

### iOS Devices:

- iPhone** - iPhone 4s or newer
- iPad** - 3rd Gen iPad or newer  
iPad Mini  
iPad Air
- iPod** - iPod Touch 5th Gen or newer

## ⚠ REMOTE WIRING

### LED Driver

Remote driver installations require inter-connected wiring between the LED and driver (not included). Drivers have specific wiring requirements between these components. Driver manufacturers regularly recommend the following wiring details for such installations:

- Do not exceed 50 foot overall wiring distance using 12 gauge copper wire.

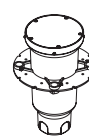
**Failure to comply with specific wiring requirements will void product warranty.**

## ⚠ DRIVER HOUSING REQUIRED

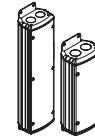
Please refer to specified remote driver housing documentation for detailed installation instructions.

### REMOTE DRIVER HOUSINGS:

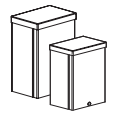
- HP2RM** - HP2 Remote Housing
- PM2RM** - Universal Power Module 3 Remote
- PM2DRM** - Universal Power Module 3 Dual Remote
- RM** - Remote Wall Mount
- DRM** - Dual Remote Wall Mount



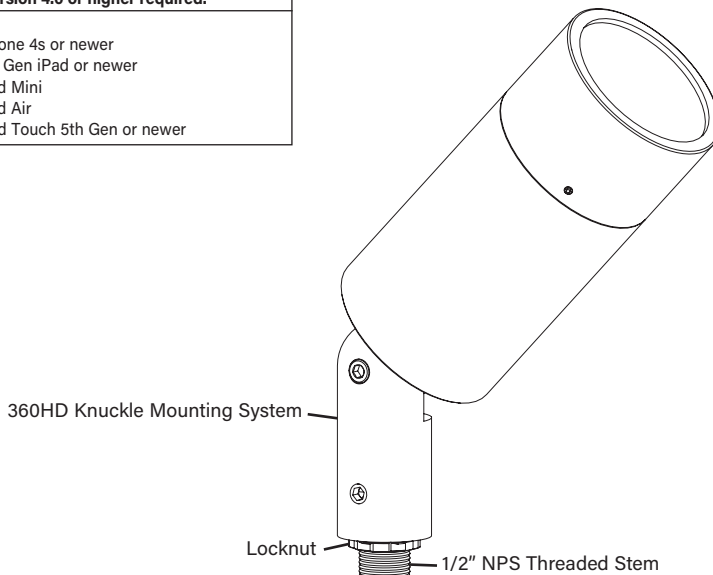
HP2RM



PM2RM & PM2DRM



RM & DRM



## IMPORTANT SAFETY INFORMATION - READ, FOLLOW, AND SAVE THESE INSTALLATION INSTRUCTIONS

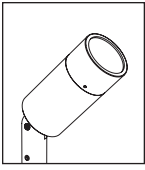
# B-K LIGHTING

40429 Brickyard Drive • Madera, CA 93636 • USA  
559.438.5800 • FAX 559.438.5900  
www.bklighting.com • info@bklighting.com

RELEASE DATE  
08/15/2023

REFERENCE NUMBER  
INS-2409-00

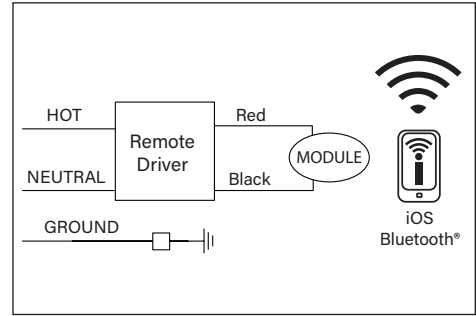
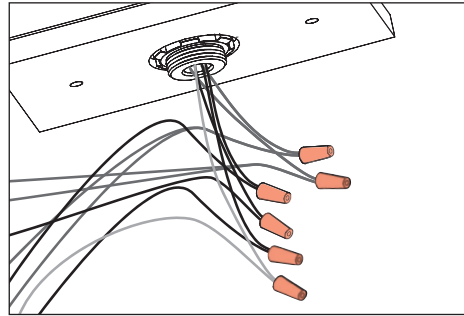
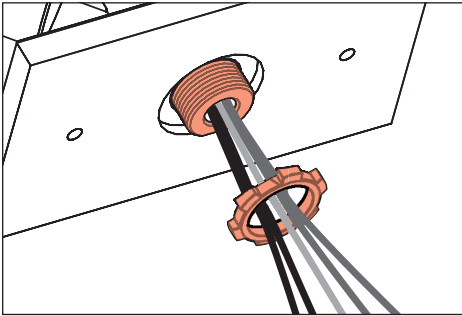
THIS DOCUMENT CONTAINS PROPRIETARY INFORMATION OF B-K LIGHTING, INC. AND ITS RECEIPT OR POSSESSION DOES NOT CONVEY ANY RIGHTS TO REPRODUCE, DISCLOSE ITS CONTENTS, OR TO MANUFACTURE, USE OR SELL ANYTHING IT MAY DESCRIBE. REPRODUCTION, DISCLOSURE OR USE WITHOUT SPECIFIC WRITTEN AUTHORIZATION OF B-K LIGHTING, INC. IS STRICTLY FORBIDDEN.



### Standard Installation

**⚠️ iOS device (not included) with installed B-K Lighting Inspiration Application required for use.**

## Wireless Bluetooth® Controls with Inspiration Application



1. Mount fixture onto suitable enclosure according to designed lighting plan.
2. Secure 1/2" NPS stem to mounting option. Secure with provided locknut if applicable.

3. Pull remote wiring and external controls through mounting plate. Make connections from remote driver to fixture leads using waterproof wire connectors (not included). **See wiring diagram.**

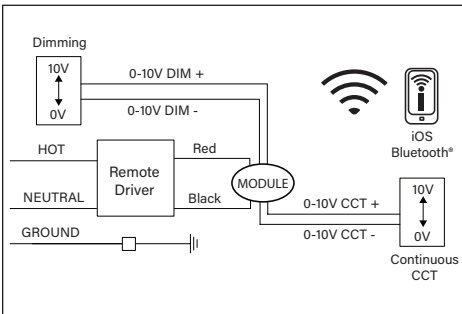
**⚠️ Number of wires and connections varies with wiring as per lighting plan.**

### WIRING DIAGRAM - Wireless Bluetooth® Controls with Inspiration Application on iOS device

iOS device controls dimming, CCT, Saturation, and Hue using Bluetooth® wireless controls and the application.

**⚠️ iOS device (iPad, iPod, iPhone) with installed B-K Lighting Inspiration application is required.**

**⚠️ iOS device must be within 5ft of fixture for wireless operation.**

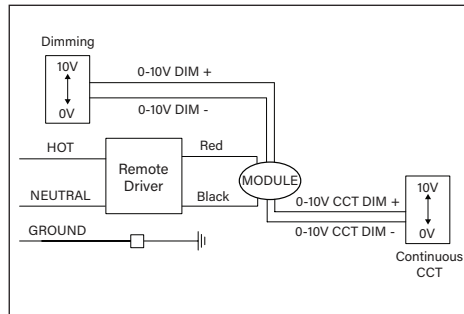


### WIRING DIAGRAM - Hybrid

Secondary wiring from remote driver connects to fixture leads. 0-10V dimming connects to module. 0-10V Continuous CCT connects to module and controls CCT, Saturation, and Hue.

**⚠️ iOS device (iPad, iPod, iPhone) with installed B-K Lighting Inspiration application is required.**

**⚠️ iOS device must be within 5ft of fixture for wireless operation.**



### WIRING DIAGRAM - 0-10V Wired

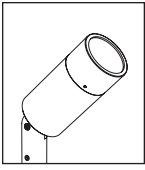
Secondary wiring from remote driver connects to fixture leads. 0-10V dimming connects to module. 0-10V Continuous CCT connects to module and controls CCT, Saturation, and Hue.

**⚠️ iOS device (iPad, iPod, iPhone) with installed B-K Lighting Inspiration application is required.**

**⚠️ iOS device must be within 5ft of fixture for wireless operation.**

## IMPORTANT SAFETY INFORMATION LISTED ON REVERSE READ, FOLLOW, AND SAVE ALL SAFETY AND INSTALLATION INSTRUCTIONS





## Module Replacement

# DENALI

## INSPIRATION CONTROL SYSTEM



Flammable



Warning



Low Voltage



Hot Surface

### TOOLS NEEDED:

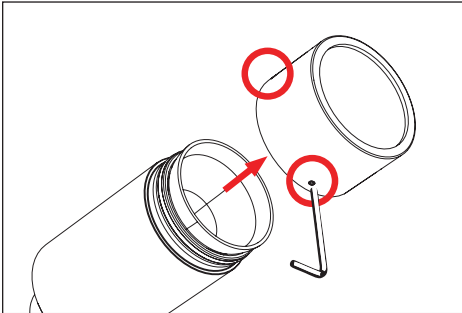


5/64" & .050" Allen Wrench

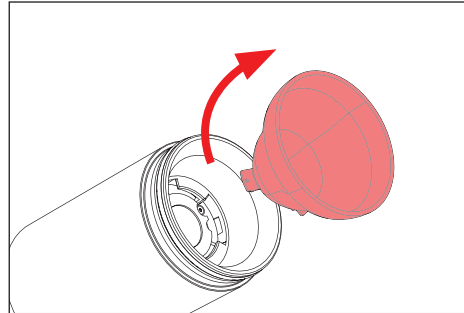


Thermal Paste

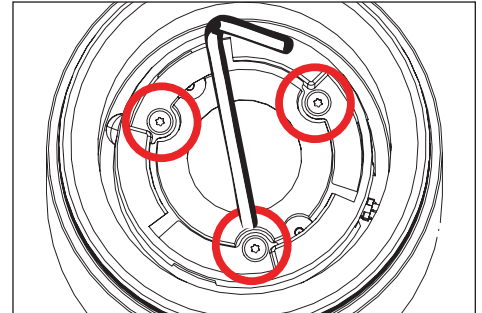
## To Replace Module



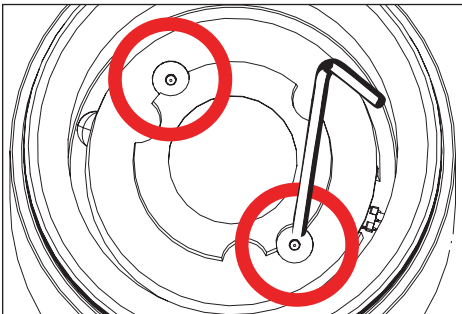
1. Remove cap by loosening three (3) #8-32 set screws using a 5/64" allen wrench.



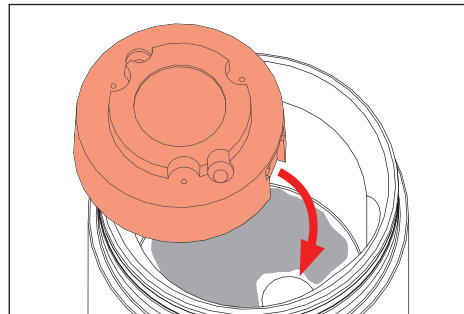
2. Gently twist optic to the left so optic tabs are clear of optic holder and carefully pull away.



3. Loosen, then remove three (3) #2-28 screws from optic module using a .050" allen wrench. Remove optic holder from module.

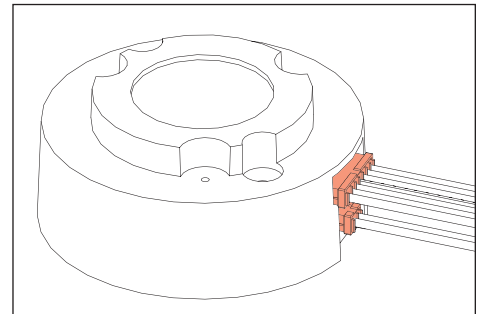


4. Loosen and remove two (2) #4-40 screws holding LED module to heatsink using a 0.050" allen wrench.



5. Carefully remove LED module from heatsink, and disconnect the quick disconnect from the LED module.

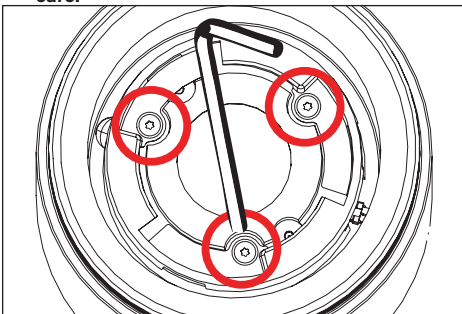
6. Spread new thermal paste in even layer on heatsink. Line up new LED board and place on heatsink.



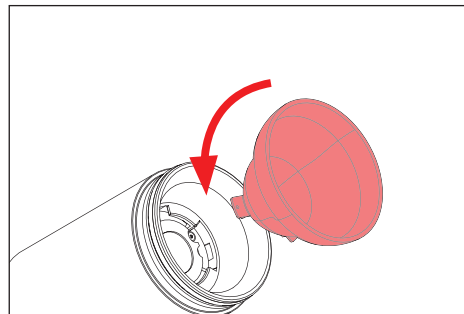
7. Connect new LED module via quick disconnects. Place new LED module onto heatsink, lining up module with holes for screws.

8. Secure LED module to heatsink with two (2) #4-40 screws.

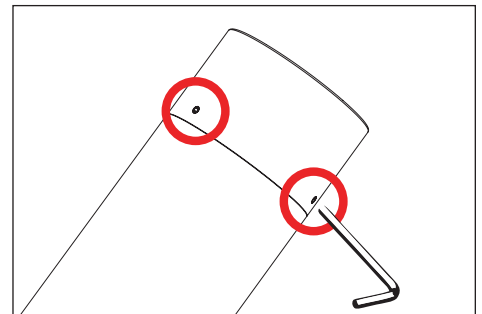
**⚠ Do not pull on connectors or wiring. Handle with care.**



9. Tighten three (3) #2-28 screws on optic module using a .050" allen wrench to secure optic holder.



10. Line up optic tabs in the optic holder, then gently twist to the right to secure.



11. Place cap on fixture and tighten three (3) #8-32 set screws with a 5/64" allen wrench. Top of screws should sit flush with fixture cap.

**⚠ Warning: Do not over tighten set screw. Doing so will compromise o-ring seal and will void warranty. Cap should be able to rotate without force.**

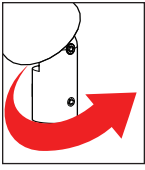
## IMPORTANT SAFETY INFORMATION - READ, FOLLOW, AND SAVE THESE INSTALLATION INSTRUCTIONS

# B-K LIGHTING

40429 Brickyard Drive • Madera, CA 93636 • USA  
559.438.5800 • FAX 559.438.5900  
www.bklighting.com • info@bklighting.com

RELEASE DATE  
08/15/2023

REFERENCE NUMBER  
INS-2321-03



## Standard Adjustment

# 360HD KNUCKLE MOUNTING SYSTEM



Flammable



Warning



Hot Surface

TOOLS  
NEEDED:



3/16" Allen wrench

### INSTRUCTIONS PERTAINING TO A RISK OF FIRE, OR INJURY TO PERSONS IMPORTANT SAFETY INSTRUCTIONS

#### Lighted fixture is HOT!

#### WARNING - To reduce the risk of FIRE OR INJURY TO PERSONS:

Turn off/unplug and allow to cool before replacing lamp/LED. Fixture gets HOT quickly! Contact only switch/plug when turning on. Do not touch hot lens, guard, or enclosure. Keep fixture away from materials that may burn. Do not operate the luminaire fitting with a missing or damaged shield. Do not touch the source at any time. Use a soft cloth or gloves. Oil from skin may cause damage.

**SAVE THESE INSTRUCTIONS**

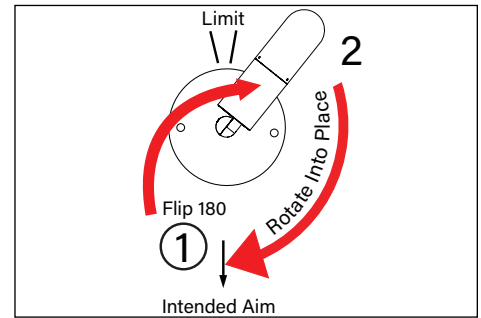
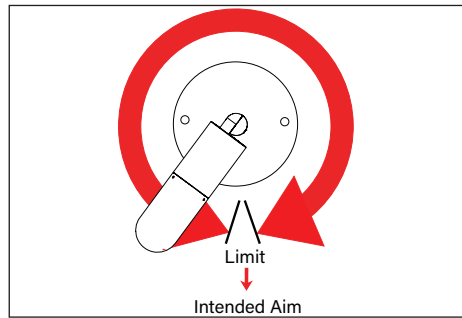
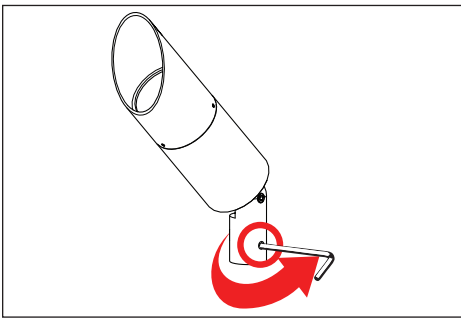
### IMPORTANT SAFETY INFORMATION - READ, FOLLOW, AND SAVE ALL SAFETY AND INSTALLATION INSTRUCTIONS

- Product must be installed by a qualified person in a manner consistent with its intended use and in compliance with the National Electrical Code, Canadian Electrical Code, and all Local and Provincial Codes.
- Follow product label information and instructions.
- Qualified Personnel with appropriate personal protective equipment must perform all servicing of this product.
- Before wiring to power supply and during servicing, turn off and lock out power at fuse or circuit breaker before service.
- The use of accessory equipment not recommended by the manufacturer or installed contrary to instructions may cause an unsafe condition. The use of damaged components may cause an unsafe condition and void product warranty.
- Do not block light emanating from product in whole or part, as this may cause an unsafe condition.
- Never operate the fixture with missing or damaged lens. Lens must be cleaned on regular basis.
- Entire fixture may become extremely hot. Do not touch hot lens or fixture body.
- Replace LED assembly only with correct wattage and type of power supply appropriate for LED assembly.
- All gaskets, o-rings and sealing surfaces must be kept clean during installation and service; failure to do this may cause an unsafe condition and void product warranty.

### IMPORTANT LISTINGS AND CERTIFICATIONS

- Suitable for wet locations • Additionally suitable for mounting within 4 ft. of the ground

## 360HD Knuckle Mounting System



1. Use a 3/16" allen wrench to slightly loosen one (1) 3/8"-16 set screw on the knuckle for 360° aiming purpose.
2. Rotate fixture at base and aim fixture to desired horizontal location.
3. If the over-rotation protection pin is in the desired aiming position, do not force the fixture past the limit. Using a 3/16" allen wrench, slightly loosen both set screws in the knuckle, enough to move the fixture freely on both axes.
4. Flip the fixture 180 degrees over the knuckle. The rotational range limit will now be 180 degrees from the original position. Now rotate the fixture into the desired aiming position.
5. Secure aim by tightening one (1) 3/8"-16 set screw using a 3/16" allen wrench.

**⚠ Rotating the cap may be necessary for proper weep hole and cutoff position**

**⚠ Warning: Do not over tighten cap set screws. Doing so will compromise o-ring seal and will void warranty.**

### IMPORTANT SAFETY INFORMATION - READ, FOLLOW, AND SAVE THESE INSTALLATION INSTRUCTIONS

# B-K LIGHTING

40429 Brickyard Drive • Madera, CA 93636 • USA  
559.438.5800 • FAX 559.438.5900  
www.bklighting.com • info@bklighting.com

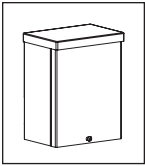
RELEASE DATE  
08/15/2023

REFERENCE NUMBER  
INS-2096-00

THIS DOCUMENT CONTAINS PROPRIETARY INFORMATION OF B-K LIGHTING, INC. AND ITS RECEIPT OR POSSESSION DOES NOT CONVEY ANY RIGHTS TO REPRODUCE, DISCLOSE ITS CONTENTS, OR TO MANUFACTURE, USE OR SELL ANYTHING IT MAY DESCRIBE. REPRODUCTION, DISCLOSURE OR USE WITHOUT SPECIFIC WRITTEN AUTHORIZATION OF B-K LIGHTING, INC. IS STRICTLY FORBIDDEN.

# NEMA 3R REMOTE DRIVER

## INSPIRATION CONTROL SYSTEM



### Standard Installation



Flammable



Warning



High Voltage



Hot Surface

#### TOOLS NEEDED:



1/8" Allen wrench



Phillips Screwdriver



Level



Hammer



Mounting Hardware



ISOS Device with Inspiration App

### INSTRUCTIONS PERTAINING TO A RISK OF FIRE, OR INJURY TO PERSONS IMPORTANT SAFETY INSTRUCTIONS

#### Lighted fixture is HOT!

#### WARNING - To reduce the risk of FIRE OR INJURY TO PERSONS:

Turn off/unplug and allow to cool before replacing lamp/LED. Fixture gets HOT quickly! Contact only switch/plug when turning on. Do not touch hot lens, guard, or enclosure. Keep fixture away from materials that may burn. Do not operate the luminaire fitting with a missing or damaged shield. Do not touch the source at any time. Use a soft cloth or gloves. Oil from skin may cause damage.

**SAVE THESE INSTRUCTIONS**

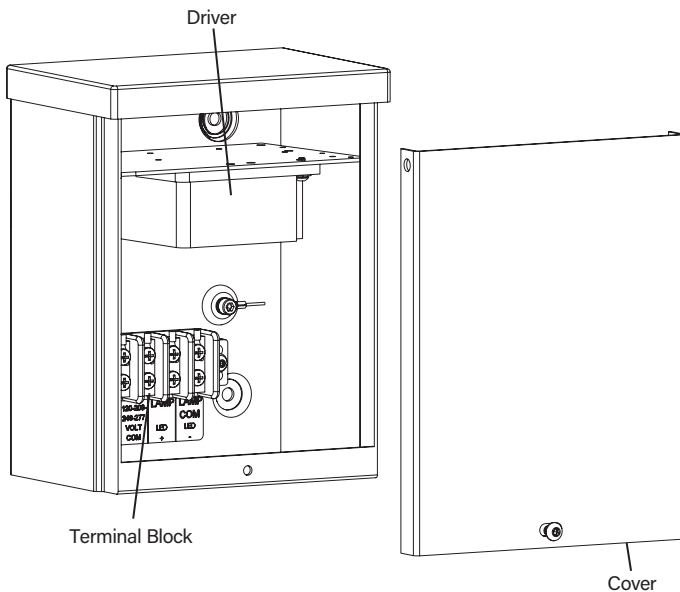
### IMPORTANT SAFETY INFORMATION - READ, FOLLOW, AND SAVE ALL SAFETY AND INSTALLATION INSTRUCTIONS

- Product must be installed by a qualified person in a manner consistent with its intended use and in compliance with the National Electrical Code, Canadian Electrical Code, and all Local and Provincial Codes.
- Follow product label information and instructions.
- Qualified Personnel with appropriate personal protective equipment must perform all servicing of this product.
- Before wiring to power supply and during servicing, turn off and lock out power at fuse or circuit breaker before service.
- The use of accessory equipment not recommended by the manufacturer or installed contrary to instructions may cause an unsafe condition. The use of damaged components may cause an unsafe condition and void product warranty.
- Do not block light emanating from product in whole or part, as this may cause an unsafe condition.
- Never operate the fixture with missing or damaged lens. Lens must be cleaned on regular basis.
- Entire fixture may become extremely hot. Do not touch hot lens or fixture body.
- Replace LED assembly only with correct wattage and type of power supply appropriate for LED assembly.
- All gaskets, o-rings and sealing surfaces must be kept clean during installation and service; failure to do this may cause an unsafe condition and void product warranty.

### IMPORTANT LISTINGS AND CERTIFICATIONS

- Suitable for wet locations

#### RM - Single Remote Housing



### ⚠ REMOTE WIRING

#### LED Driver

Remote driver installations require inter-connected wiring between the LED and driver (not included). Drivers have specific wiring requirements between these components. Driver manufacturers regularly recommend the following wiring details for such installations:

- Do not exceed 50 foot overall wiring distance using 12 gauge copper wire.

**Failure to comply with specific wiring requirements will void product warranty.**

### ⚠ Device Requirements

⚠ iOS device with installed Inspiration Control System App is required for Bluetooth® Wireless Control.

**Bluetooth® version 4.0 or higher required.**

#### iOS Devices:

- iPhone** - iPhone 4s or newer
- iPad** - 3rd Gen iPad or newer  
iPad Mini  
iPad Air
- iPod** - iPod Touch 5th Gen or newer

### IMPORTANT SAFETY INFORMATION - READ, FOLLOW, AND SAVE THESE INSTALLATION INSTRUCTIONS

# B-K LIGHTING

40429 Brickyard Drive • Madera, CA 93636 • USA  
559.438.5800 • FAX 559.438.5900  
www.bklighting.com • info@bklighting.com

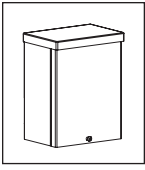
RELEASE DATE  
08/15/2023

REFERENCE NUMBER  
INS-2564-00

THIS DOCUMENT CONTAINS PROPRIETARY INFORMATION OF B-K LIGHTING, INC. AND ITS RECEIPT OR POSSESSION DOES NOT CONVEY ANY RIGHTS TO REPRODUCE, DISCLOSE ITS CONTENTS, OR TO MANUFACTURE, USE OR SELL ANYTHING IT MAY DESCRIBE. REPRODUCTION, DISCLOSURE OR USE WITHOUT SPECIFIC WRITTEN AUTHORIZATION OF B-K LIGHTING, INC. IS STRICTLY FORBIDDEN.

# NEMA 3R REMOTE DRIVER

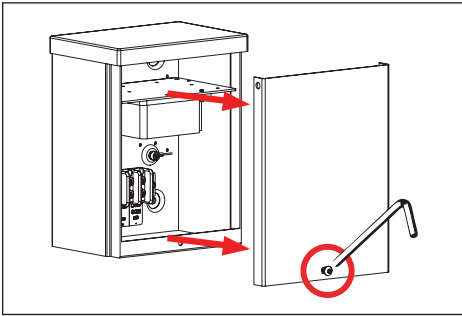
## INSPIRATION CONTROL SYSTEM



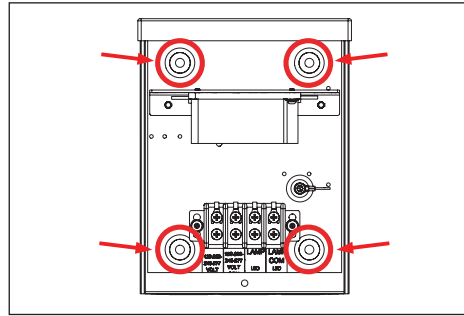
### Standard Installation

**⚠️ iOS device (not included) with installed B-K Lighting Inspiration Application required for use.**

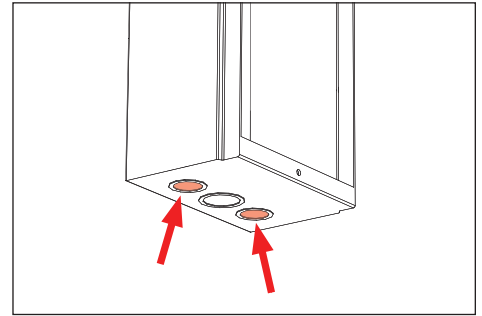
### Housing Installation



1. Remove cover by removing #10-24 cover screw using a 1/8" allen wrench.

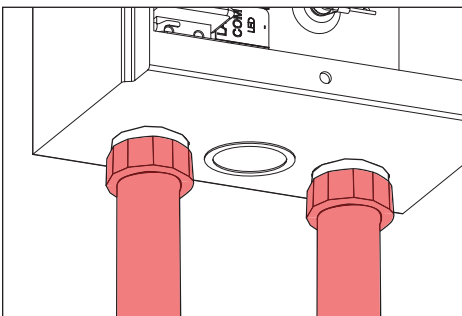


2. Attach the NEMA 3R housing at mounting holes with 1/4" fasteners. Use suitable mounting hardware for surface. Use level to ensure a level install.

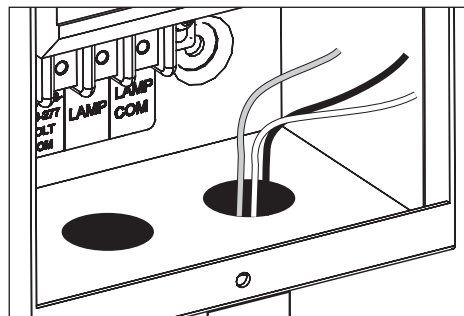


3. Remove knockout(s) with hammer as needed from the NEMA 3R housing. Leave remaining unused knockouts in place to maintain seal.

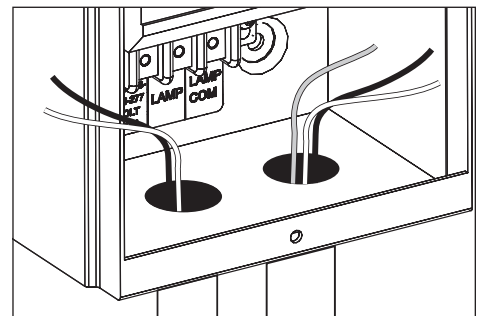
**⚠️ NOTE: Many methods exist to bolt to a flat surface. The housing is provided with mounting brackets with 1/4" holes.**



4. Connect conduit connector through female threaded conduit entry.



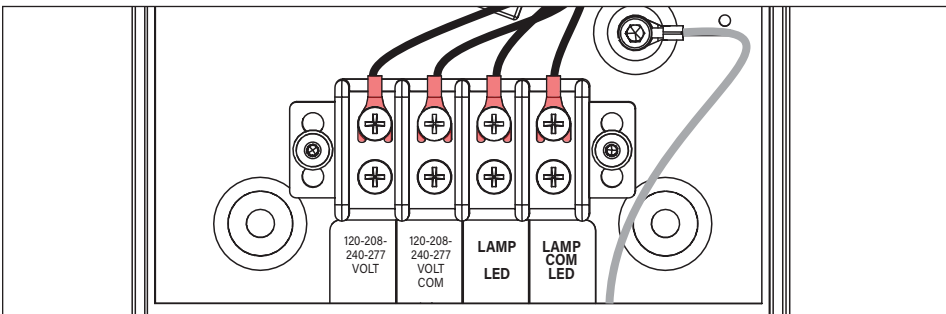
5. Pull branch circuit wiring necessary for installation.



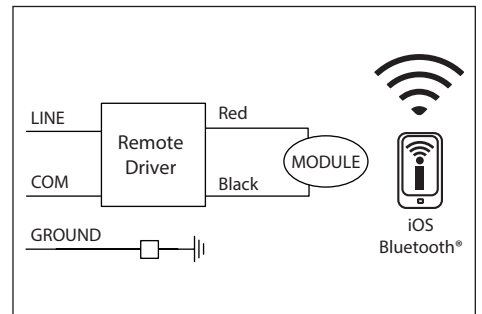
6. Pull secondary leads necessary for installation through dedicated conduit.

**⚠️ NOTE: Surface conduit is a common entrance for water if not properly sealed. Seal connector threads and conduit with a suitable sealant (teflon tape, adhesive, etc.). Sealing the conduit after knockouts are removed is required to maintain warranty.**

**⚠️ NOTE: Failure to comply with specific wiring requirements will void product warranty.**



7. Connect branch circuit to terminal block. Connect incoming ground to ground wire provided on NEMA 3R housing. Connect secondary lamp leads to terminal. See labels on terminal block for additional information..



**WIRING DIAGRAM - Wireless Bluetooth® Controls with Inspiration Application on iOS device**

iOS device controls dimming, CCT, Saturation, and Hue using Bluetooth® wireless controls and the application.

**IMPORTANT SAFETY INFORMATION LISTED ON REVERSE  
READ, FOLLOW, AND SAVE ALL SAFETY AND INSTALLATION INSTRUCTIONS**

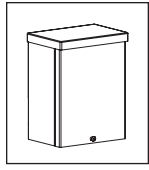


**B-K LIGHTING**

40429 Brickyard Drive • Madera, CA 93636 • USA  
559.438.5800 • FAX 559.438.5900  
www.bklighting.com • info@bklighting.com

RELEASE DATE  
08/15/2023

REFERENCE NUMBER  
INS-2564-00

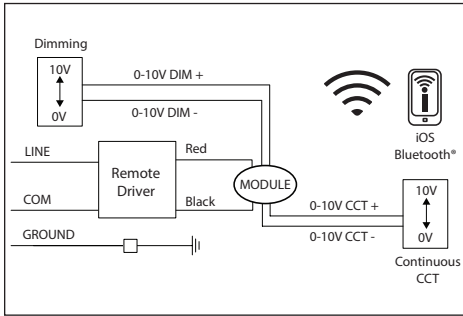


# NEMA 3R REMOTE DRIVER

INSPIRATION CONTROL SYSTEM

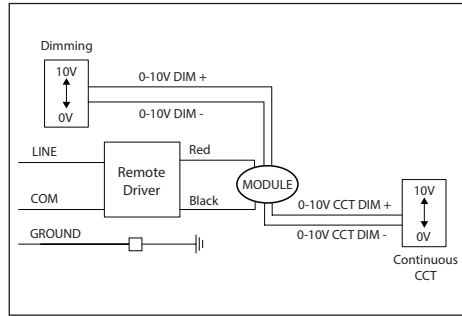
## Standard Installation

**⚠️ iOS device (not included) with installed B-K Lighting Inspiration Application required for use.**



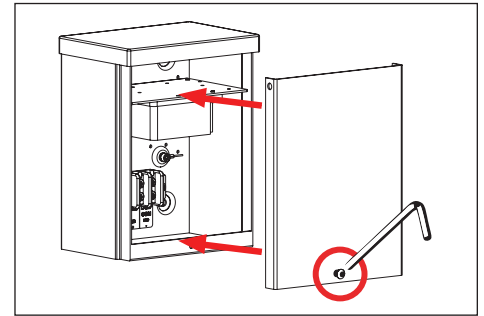
**WIRING DIAGRAM - Hybrid**

Secondary wiring from remote driver connects to fixture leads. 0-10V dimming connects to module. 0-10V Continuous CCT connects to module. iOS device controls Saturation and Hue.



**WIRING DIAGRAM - 0-10V Wired**

Secondary wiring from remote driver connects to fixture leads. 0-10V dimming connects to module. 0-10V Continuous CCT connects to module and controls CCT.



8. Re-attach cover. Tighten cover screw.

**IMPORTANT SAFETY INFORMATION LISTED ON REVERSE  
READ, FOLLOW, AND SAVE ALL SAFETY AND INSTALLATION INSTRUCTIONS**

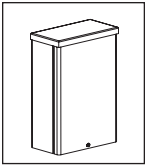


**B-K LIGHTING**

40429 Brickyard Drive • Madera, CA 93636 • USA  
559.438.5800 • FAX 559.438.5900  
www.bklighting.com • info@bklighting.com

RELEASE DATE  
08/15/2023

REFERENCE NUMBER  
INS-2564-00



# NEMA 3R DUAL REMOTE DRIVER

INSPIRATION CONTROL SYSTEM

## Standard Installation



Flammable



Warning



High Voltage



Hot Surface

### TOOLS NEEDED:



1/8" Allen wrench



Phillips Screwdriver



Level



Hammer



Mounting Hardware



ISOS Device with Inspiration App

### INSTRUCTIONS PERTAINING TO A RISK OF FIRE, OR INJURY TO PERSONS IMPORTANT SAFETY INSTRUCTIONS

#### Lighted fixture is HOT!

#### WARNING - To reduce the risk of FIRE OR INJURY TO PERSONS:

Turn off/unplug and allow to cool before replacing lamp/LED. Fixture gets HOT quickly! Contact only switch/plug when turning on. Do not touch hot lens, guard, or enclosure. Keep fixture away from materials that may burn. Do not operate the luminaire fitting with a missing or damaged shield. Do not touch the source at any time. Use a soft cloth or gloves. Oil from skin may cause damage.

**SAVE THESE INSTRUCTIONS**

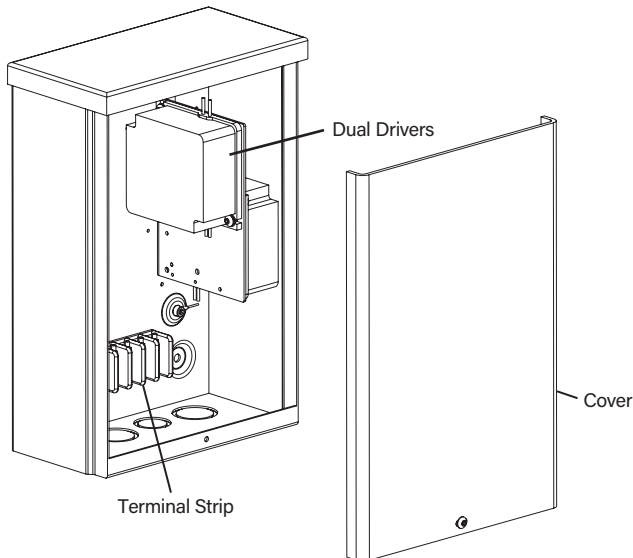
### IMPORTANT SAFETY INFORMATION - READ, FOLLOW, AND SAVE ALL SAFETY AND INSTALLATION INSTRUCTIONS

- Product must be installed by a qualified person in a manner consistent with its intended use and in compliance with the National Electrical Code, Canadian Electrical Code, and all Local and Provincial Codes.
- Follow product label information and instructions.
- Qualified Personnel with appropriate personal protective equipment must perform all servicing of this product.
- Before wiring to power supply and during servicing, turn off and lock out power at fuse or circuit breaker before service.
- The use of accessory equipment not recommended by the manufacturer or installed contrary to instructions may cause an unsafe condition. The use of damaged components may cause an unsafe condition and void product warranty.
- Do not block light emanating from product in whole or part, as this may cause an unsafe condition.
- Never operate the fixture with missing or damaged lens. Lens must be cleaned on regular basis.
- Entire fixture may become extremely hot. Do not touch hot lens or fixture body.
- Replace LED assembly only with correct wattage and type of power supply appropriate for LED assembly.
- All gaskets, o-rings and sealing surfaces must be kept clean during installation and service; failure to do this may cause an unsafe condition and void product warranty.

### IMPORTANT LISTINGS AND CERTIFICATIONS

- Suitable for wet locations

### DRM - Dual Remote Housing



### ⚠ REMOTE WIRING

#### LED Driver

Remote driver installations require inter-connected wiring between the LED and driver (not included). Drivers have specific wiring requirements between these components. Driver manufacturers regularly recommend the following wiring details for such installations:

- Do not exceed 50 foot overall wiring distance using 12 gauge copper wire.

**Failure to comply with specific wiring requirements will void product warranty.**

### ⚠ Device Requirements

⚠ iOS device with installed Inspiration Control System App is required for Bluetooth® Wireless Control.

**Bluetooth® version 4.0 or higher required.**

#### iOS Devices:

- iPhone** - iPhone 4s or newer
- iPad** - 3rd Gen iPad or newer  
iPad Mini  
iPad Air
- iPod** - iPod Touch 5th Gen or newer

### IMPORTANT SAFETY INFORMATION - READ, FOLLOW, AND SAVE THESE INSTALLATION INSTRUCTIONS

# B-K LIGHTING

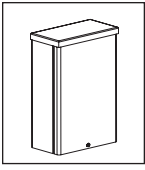
40429 Brickyard Drive • Madera, CA 93636 • USA  
559.438.5800 • FAX 559.438.5900  
www.bklighting.com • info@bklighting.com

RELEASE DATE  
08/15/2023

REFERENCE NUMBER  
INS-2564-01

THIS DOCUMENT CONTAINS PROPRIETARY INFORMATION OF B-K LIGHTING, INC. AND ITS RECEIPT OR POSSESSION DOES NOT CONVEY ANY RIGHTS TO REPRODUCE, DISCLOSE ITS CONTENTS, OR TO MANUFACTURE, USE OR SELL ANYTHING IT MAY DESCRIBE. REPRODUCTION, DISCLOSURE OR USE WITHOUT SPECIFIC WRITTEN AUTHORIZATION OF B-K LIGHTING, INC. IS STRICTLY FORBIDDEN.





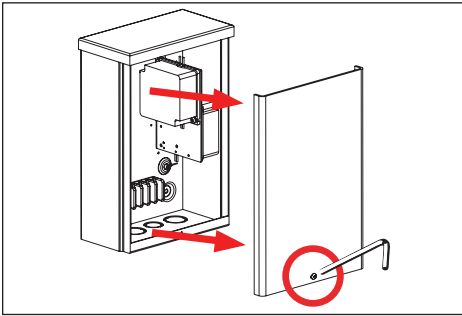
# NEMA 3R DUAL REMOTE DRIVER

INSPIRATION CONTROL SYSTEM

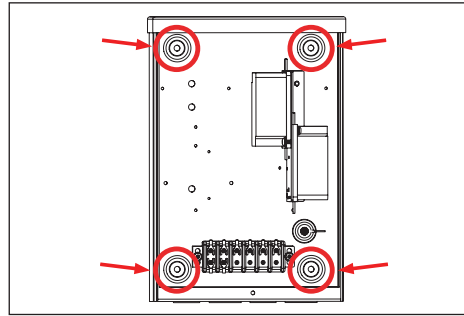
## Standard Installation

**⚠️ iOS device (not included) with installed B-K Lighting Inspiration Application required for use.**

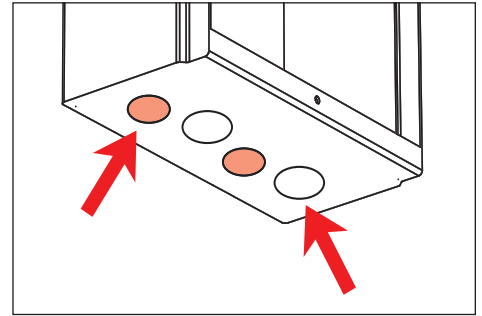
## Housing Installation



1. Remove cover by removing #10-24 cover screw using a 1/8" allen wrench.

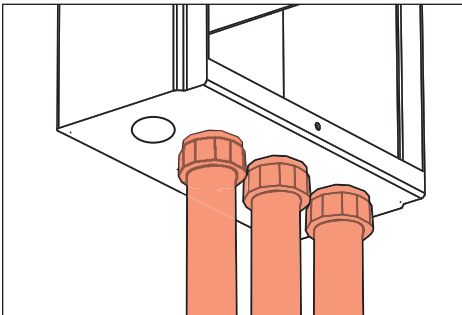


2. Attach the NEMA 3R housing at mounting holes with 1/4" fasteners. Use suitable mounting hardware for surface. Use level to ensure a level install.

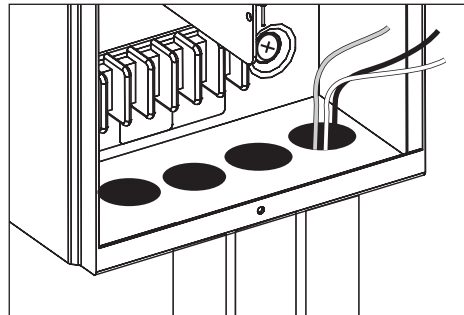


3. Remove knockout(s) with hammer as needed from the NEMA 3R housing. Leave remaining unused knockouts in place to maintain seal.

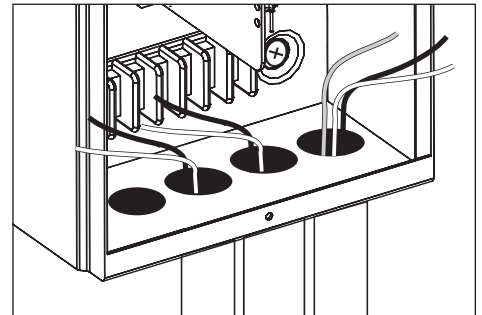
**⚠️ NOTE: Many methods exist to bolt to a flat surface. The housing is provided with mounting brackets with 1/4" holes.**



4. Connect conduit connector through female threaded conduit entry.



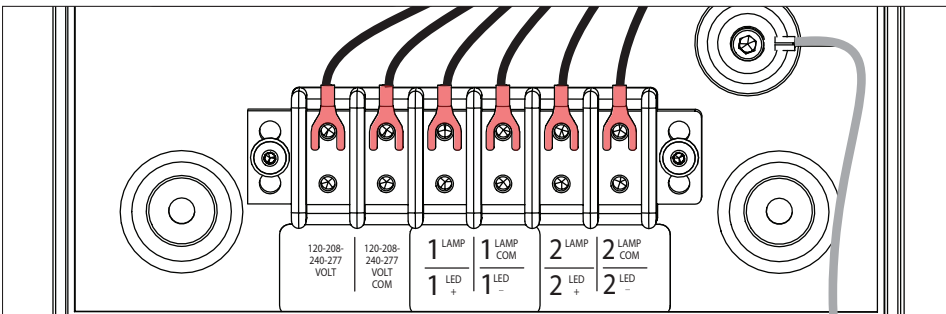
5. Pull branch circuit wiring necessary for installation.



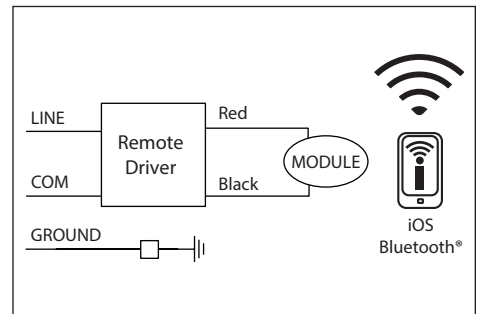
6. Pull secondary lamp leads necessary for installation through dedicated conduit.

**⚠️ NOTE: Surface conduit is a common entrance for water if not properly sealed. Seal connector threads and conduit with a suitable sealant (teflon tape, adhesive, etc.). Sealing the conduit after knockouts are removed is required to maintain warranty.**

**⚠️ NOTE: Failure to comply with specific wiring requirements will void product warranty.**



7. **Terminal Block Wiring** - Connect branch circuit to terminal block. Connect incoming ground to ground wire provided on NEMA 3R housing. Connect secondary lamp leads to terminal block. See labels on terminal block for additional information.



**WIRING DIAGRAM - Wireless Bluetooth® Controls with Inspiration Application on iOS device**

iOS device controls dimming, CCT, Saturation, and Hue using Bluetooth® wireless controls and the application.

**IMPORTANT SAFETY INFORMATION LISTED ON REVERSE  
READ, FOLLOW, AND SAVE ALL SAFETY AND INSTALLATION INSTRUCTIONS**

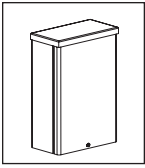


**B-K LIGHTING**

40429 Brickyard Drive • Madera, CA 93636 • USA  
559.438.5800 • FAX 559.438.5900  
www.bklighting.com • info@bklighting.com

RELEASE DATE  
08/15/2023

REFERENCE NUMBER  
INS-2564-01

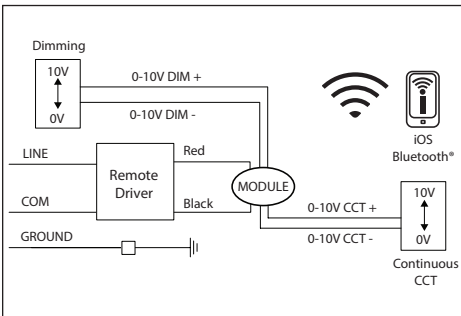


# NEMA 3R DUAL REMOTE DRIVER

INSPIRATION CONTROL SYSTEM

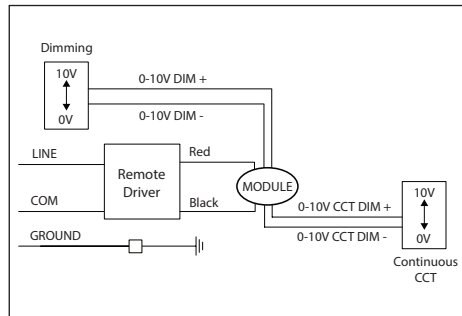
## Standard Installation

**⚠️ iOS device (not included) with installed B-K Lighting Inspiration Application required for use.**



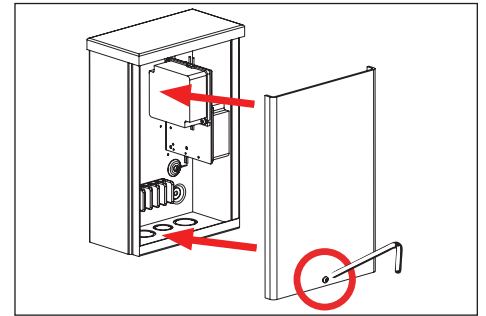
**WIRING DIAGRAM - Hybrid**

Secondary wiring from remote driver connects to fixture leads. 0-10V dimming connects to module. 0-10V Continuous CCT connects to module. iOS device controls Saturation and Hue.



**WIRING DIAGRAM - 0-10V Wired**

Secondary wiring from remote driver connects to fixture leads. 0-10V dimming connects to module. 0-10V Continuous CCT connects to module and controls CCT.



8. Re-attach cover. Tighten cover screw.

**IMPORTANT SAFETY INFORMATION LISTED ON REVERSE  
READ, FOLLOW, AND SAVE ALL SAFETY AND INSTALLATION INSTRUCTIONS**

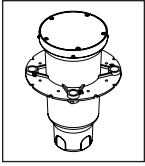


**B-K LIGHTING**

40429 Brickyard Drive • Madera, CA 93636 • USA  
559.438.5800 • FAX 559.438.5900  
www.bklighting.com • info@bklighting.com

RELEASE DATE  
08/15/2023

REFERENCE NUMBER  
INS-2564-01



## Standard Installation



Flammable



Warning



High Voltage



Hot Surface

# HP2RM

## INSPIRATION CONTROL SYSTEM

### TOOLS NEEDED:

- 1/8" Allen Wrench
- Waterproof Wire Connectors
- Level
- Phillips Screwdriver
- 7/8" Hole Saw
- Torque Wrench
- Inspiration Control System on iOS Device

### INSTRUCTIONS PERTAINING TO A RISK OF FIRE, OR INJURY TO PERSONS IMPORTANT SAFETY INSTRUCTIONS

#### Lighted fixture is HOT!

#### WARNING - To reduce the risk of FIRE OR INJURY TO PERSONS:

Turn off/unplug and allow to cool before replacing lamp/LED. Fixture gets HOT quickly! Contact only switch/plug when turning on. Do not touch hot lens, guard, or enclosure. Keep fixture away from materials that may burn. Do not operate the luminaire fitting with a missing or damaged shield. Do not touch the source at any time. Use a soft cloth or gloves. Oil from skin may cause damage.

**SAVE THESE INSTRUCTIONS**

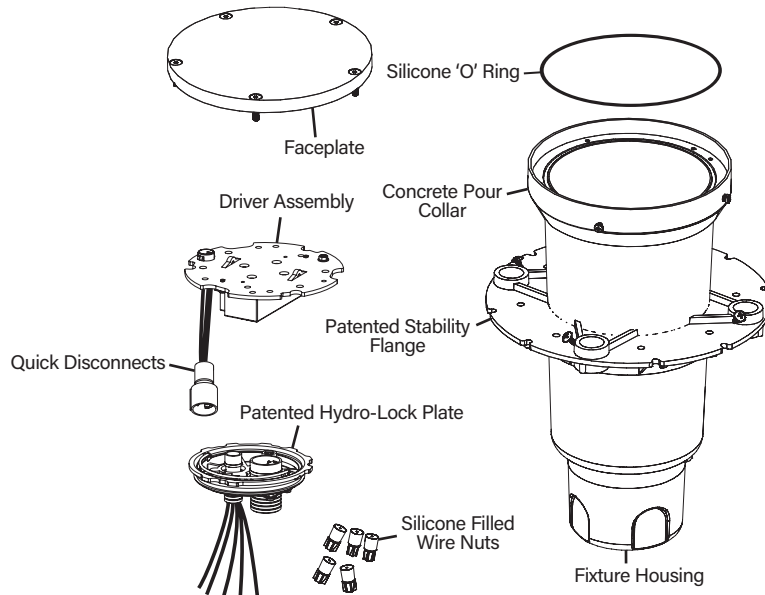
### IMPORTANT SAFETY INFORMATION - READ, FOLLOW, AND SAVE ALL SAFETY AND INSTALLATION INSTRUCTIONS

- Product must be installed by a qualified person in a manner consistent with its intended use and in compliance with the National Electrical Code, Canadian Electrical Code, and all Local and Provincial Codes.
- Follow product label information and instructions.
- Qualified Personnel with appropriate personal protective equipment must perform all servicing of this product.
- Before wiring to power supply and during servicing, turn off and lock out power at fuse or circuit breaker before service.
- The use of accessory equipment not recommended by the manufacturer or installed contrary to instructions may cause an unsafe condition. The use of damaged components may cause an unsafe condition and void product warranty.
- Do not block light emanating from product in whole or part, as this may cause an unsafe condition.
- Never operate the fixture with missing or damaged lens. Lens must be cleaned on regular basis.
- Entire fixture may become extremely hot. Do not touch hot lens or fixture body.
- Replace LED assembly only with correct wattage and type of power supply appropriate for LED assembly.
- All gaskets, o-rings and sealing surfaces must be kept clean during installation and service; failure to do this may cause an unsafe condition and void product warranty.

### IMPORTANT LISTINGS AND CERTIFICATIONS

- Suitable for wet locations • Suitable for recessed in ground locations

Proper soil preparation is recommended before installation. See the DIG-IT guide at [www.bklighting.com/collaterals/install/digit.pdf](http://www.bklighting.com/collaterals/install/digit.pdf) for more information.



### REMOTE WIRING

#### LED Driver

Remote driver installations require inter-connected wiring between the LED and driver (not included). Drivers have specific wiring requirements between these components. Driver manufacturers regularly recommend the following wiring details for such installations:

- Do not exceed 50 foot overall wiring distance using 12 gauge copper wire.

**Failure to comply with specific wiring requirements will void product warranty.**

### Device Requirements

**! iOS device with installed Inspiration Control System App is required for Bluetooth® Wireless Control.**

**Bluetooth® version 4.0 or higher required.**

#### iOS Devices:

- iPhone** - iPhone 4s or newer
- iPad** - 3rd Gen iPad or newer  
iPad Mini  
iPad Air
- iPod** - iPod Touch 5th Gen or newer

### IMPORTANT SAFETY INFORMATION - READ, FOLLOW, AND SAVE THESE INSTALLATION INSTRUCTIONS

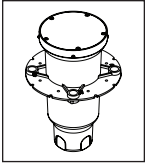
# B-K LIGHTING

40429 Brickyard Drive • Madera, CA 93636 • USA  
559.438.5800 • FAX 559.438.5900  
[www.bklighting.com](http://www.bklighting.com) • [info@bklighting.com](mailto:info@bklighting.com)

RELEASE DATE  
**08/15/2023**

REFERENCE NUMBER  
**INS-2405-00**

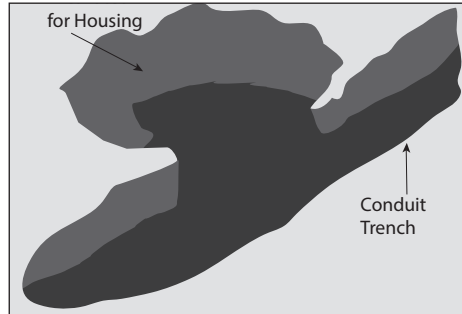
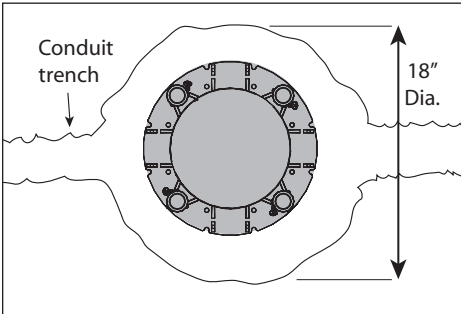
THIS DOCUMENT CONTAINS PROPRIETARY INFORMATION OF B-K LIGHTING, INC. AND ITS RECEIPT OR POSSESSION DOES NOT CONVEY ANY RIGHTS TO REPRODUCE, DISCLOSE ITS CONTENTS, OR TO MANUFACTURE, USE OR SELL ANYTHING IT MAY DESCRIBE. REPRODUCTION, DISCLOSURE OR USE WITHOUT SPECIFIC WRITTEN AUTHORIZATION OF B-K LIGHTING, INC. IS STRICTLY FORBIDDEN.



### Standard Installation

**⚠️ iOS device (Not Included) with installed B-K Lighting Inspiration Application required for use.**

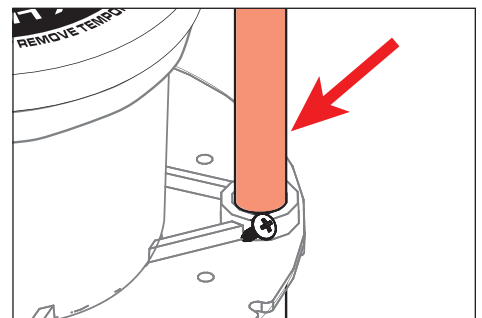
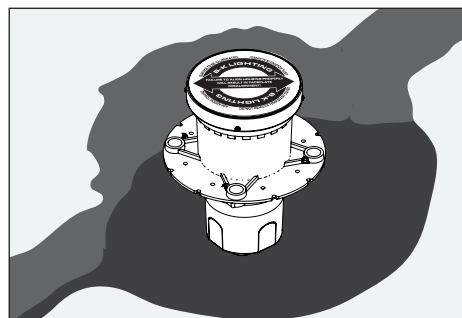
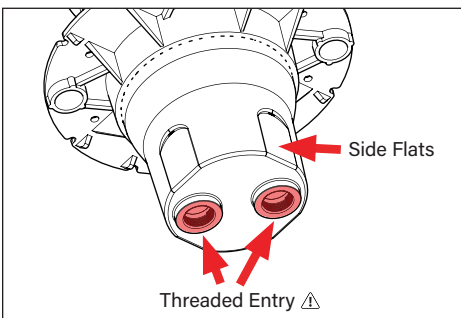
### Soil Prep



1. Determine Soil Type by referencing DIG-IT Guide.
2. Dig hole 18" wide and 18" deep.
3. Prep soil according to DIG-IT Guide.

**SCAN WITH SMART DEVICE OR CLICK THE BAR CODE FOR ONLINE DIG-IT GUIDE**

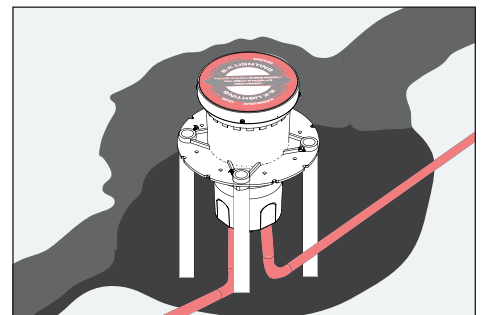
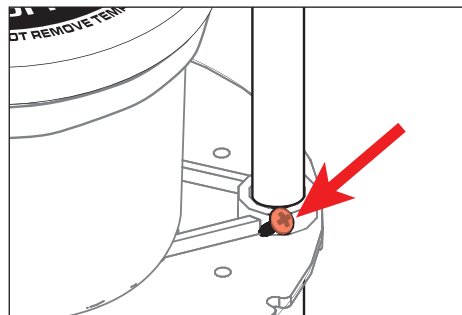
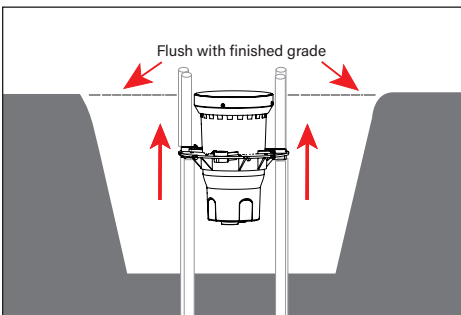
### Housing Installation



1. Connect branch conduit connectors (not included) to the junction box using either the threaded conduit entries on the bottom of the junction box or through holes drilled into the sides of the junction box.
2. Place housing in hole. Align junction box in the path of the conduit trench.
3. Insert four (4) pieces of 1/2" PVC/EMT conduit through the stability flange. Hammer into substrate until secure.

**⚠️ Recommend 7/8" hole saw to open threaded entry hole.**

**⚠️ Leave sufficient clearance to elevate housing to finished grade.**



4. Raise housing on PVC/EMT so housing is flush with finished grade. Use a level to aid in housing installation.
5. When housing is level, tighten screws on stability flange to secure housing to PVC/EMT. Remove excess PVC/EMT as needed.
6. Pull primary branch circuit wiring into junction box.

**IMPORTANT SAFETY INFORMATION LISTED ON REVERSE  
READ, FOLLOW, AND SAVE ALL SAFETY AND INSTALLATION INSTRUCTIONS**

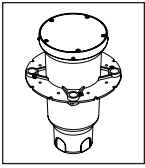


**B-K LIGHTING**

40429 Brickyard Drive • Madera, CA 93636 • USA  
559.438.5800 • FAX 559.438.5900  
www.bklighting.com • info@bklighting.com

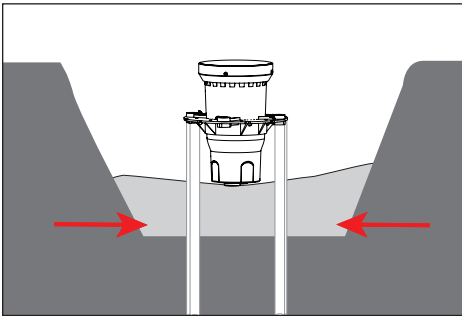
RELEASE DATE  
08/15/2023

REFERENCE NUMBER  
INS-2501-00

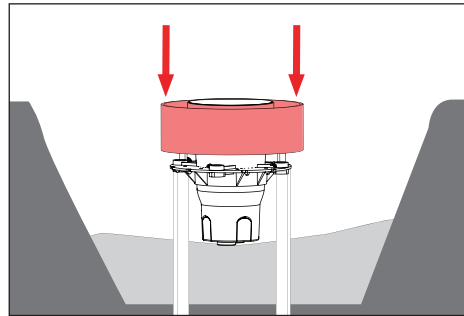


*Standard Installation*

**⚠️ iOS device (Not Included) with installed B-K Lighting Inspiraion Application required for use.**

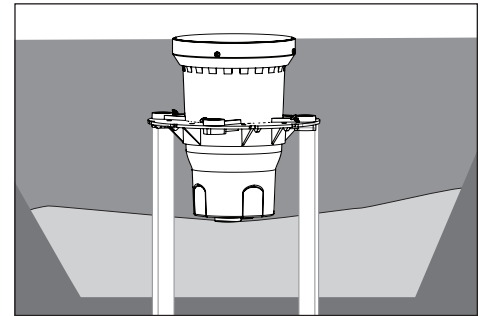


7. Per DIG-IT Guide, backfill hole based off of determined soil type.



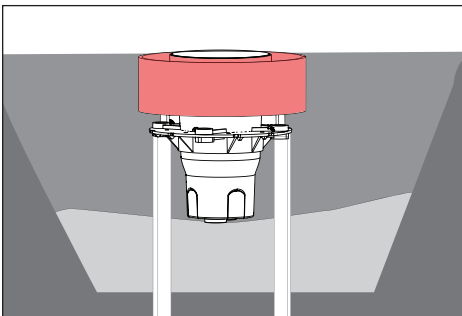
**OPTIONAL GROUT MASK INSTALLATION (IF ORDERED)**

7. Fill partway, then place grout mask around housing, centered at faceplate. Insert stakes through stability flange. Top of grout mask should be flush with grade.



8. **For soil installation:** Fill and tamp soil to the appropriate height leaving room for sod, pavers, etc. to be level with the top of the temporary cover.

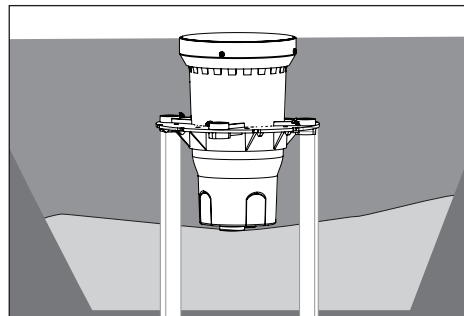
**⚠️ Soil installation is not drive-over rated.**



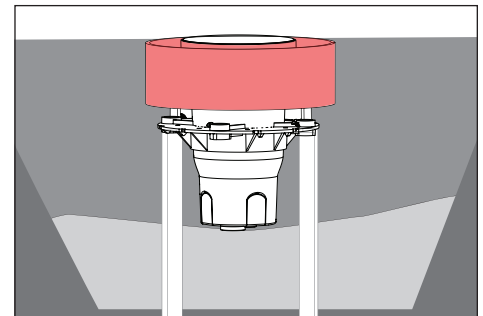
**OPTIONAL GROUT MASK INSTALLATION (IF ORDERED)**

8. **For soil installation:** Fill and tamp soil to the appropriate height leaving room for sod, pavers, etc. to be level with the top of the temporary cover.

**⚠️ Soil installation is not drive-over rated.**



9. **For concrete installation:** Fill the hole around the fixture housing to 12" below the finished grade with clean fill dirt and tamp carefully to prevent settling of fixture. Pour concrete and finish as required flush with the top surface of the temporary cover.

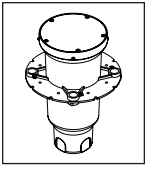


**OPTIONAL GROUT MASK INSTALLATION (IF ORDERED)**

9. **For concrete installation:** Fill the hole around the fixture housing to 12" below the finished grade with clean fill dirt and tamp carefully to prevent settling of fixture. Pour concrete and finish as required flush with the top surface of the grout mask.

**IMPORTANT SAFETY INFORMATION LISTED ON REVERSE  
READ, FOLLOW, AND SAVE ALL SAFETY AND INSTALLATION INSTRUCTIONS**

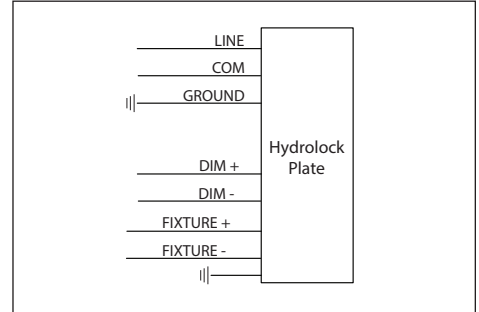
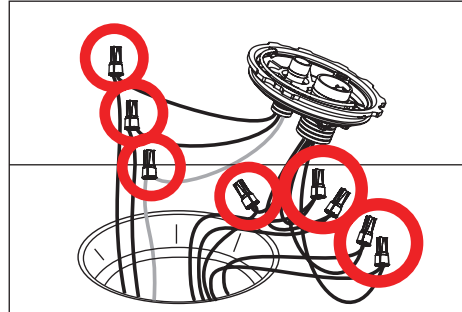




Standard Installation

**⚠️ iOS device (Not Included) with installed B-K Lighting Inspiration Application required for use.**

**Installation**



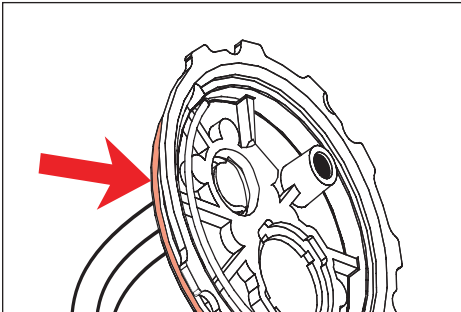
1. Remove temporary cover.
2. Pull primary branch circuit wiring into junction box.

3. Make connections using silicone filled wire nuts (included) to leads on the bottom of Patented HydroLock Barrier Plate Assembly. **See wiring diagram(s).**

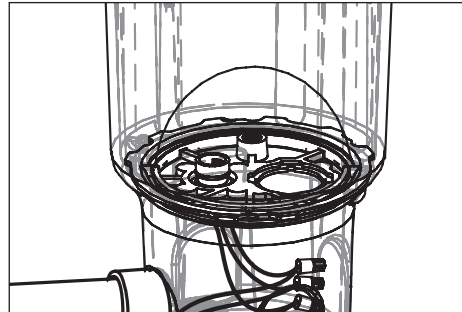
**WIRING DIAGRAM - Wireless Bluetooth® Controls with Inspiration Application on iOS device**

iOS device controls dimming, CCT, Saturation, and Hue using Bluetooth® wireless controls and the application.

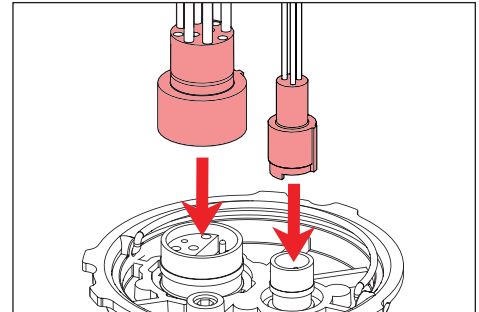
**⚠️ iOS device (iPad, iPod, iPhone) with installed B-K Lighting Inspiration application is required.**



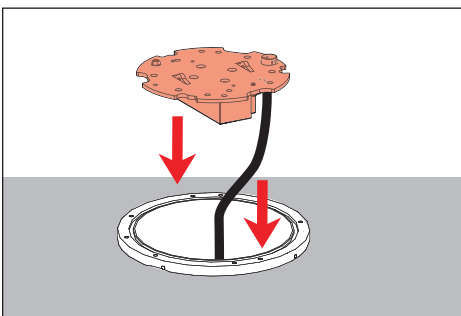
4. Wipe inside of housing where HydroLock plate will sit clean of debris before inserting patented HydroLock plate on to junction box. Align HydroLock plate with pins in housing and seat it firmly in place.



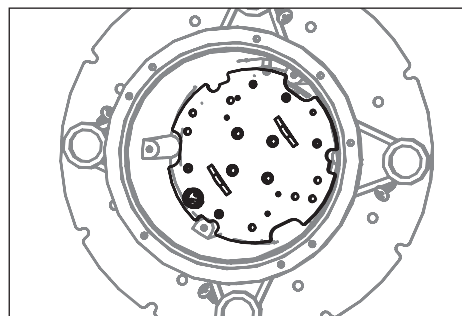
5. Turn HydroLock Barrier Plate clockwise 1/4" to lock. **⚠️ Patented HydroLock Barrier Plate must be completely seated to ensure proper seal or water may intrude. This step must be done as stated or you will void your warranty.**



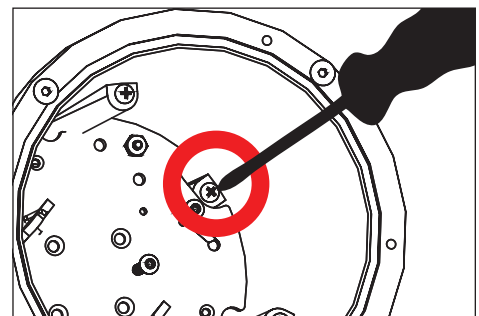
6. Connect driver assembly to Patented HydroLock Barrier plate with quick disconnects.



7. Lower driver assembly into HP2 housing.



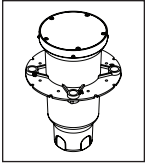
8. Attach driver assembly to housing by aligning keyhole notch under one (1) of three (3) #8 screw heads.



9. Tighten the phillips screws to secure driver plate to housing.

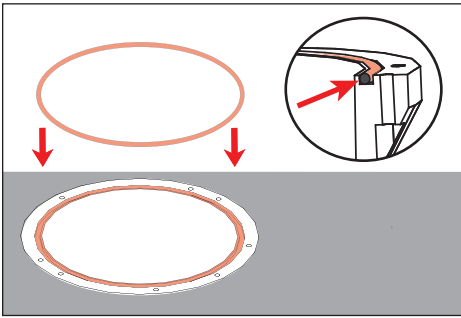
**IMPORTANT SAFETY INFORMATION LISTED ON REVERSE  
READ, FOLLOW, AND SAVE ALL SAFETY AND INSTALLATION INSTRUCTIONS**





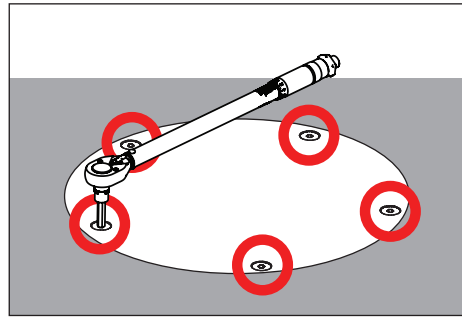
*Standard Installation*

**⚠️ iOS device (Not Included) with installed B-K Lighting Inspiraion Application required for use.**



10. Remove any dirt or debris in o-ring groove near top of housing. Place o-ring inside of groove.

**⚠️ Failure to clean groove of debris will cause fixture to fail and void product warranty.**



11. Install faceplate using a 1/8" allen wrench and hand-tighten the faceplate screws in a star pattern to 30 in-lbs. min.

**⚠️ Do not use a power tool to install screws. Do not exceed 40 in-lbs.**

**IMPORTANT SAFETY INFORMATION LISTED ON REVERSE  
READ, FOLLOW, AND SAVE ALL SAFETY AND INSTALLATION INSTRUCTIONS**



**B-K LIGHTING**

40429 Brickyard Drive • Madera, CA 93636 • USA  
559.438.5800 • FAX 559.438.5900  
www.bklighting.com • info@bklighting.com

RELEASE DATE  
08/15/2023

REFERENCE NUMBER  
INS-2501-00