

# MINI-MICRO iLUME

SURFACE MOUNT - LED

## Standard Installation



Flammable



Warning



Low Voltage



Hot Surface

### TOOLS NEEDED:

- 5/64" Allen Wrench
- Waterproof Wire Connectors
- 2" Drill Bit and Drill

### INSTRUCTIONS PERTAINING TO A RISK OF FIRE, OR INJURY TO PERSONS IMPORTANT SAFETY INSTRUCTIONS

#### Lighted fixture is HOT!

#### WARNING - To reduce the risk of FIRE OR INJURY TO PERSONS:

Turn off/unplug and allow to cool before replacing lamp/LED. Fixture gets HOT quickly! Contact only switch/plug when turning on. Do not touch hot lens, guard, or enclosure. Keep fixture away from materials that may burn. Do not operate the luminaire fitting with a missing or damaged shield. Do not touch the source at any time. Use a soft cloth or gloves. Oil from skin may cause damage.

**SAVE THESE INSTRUCTIONS**

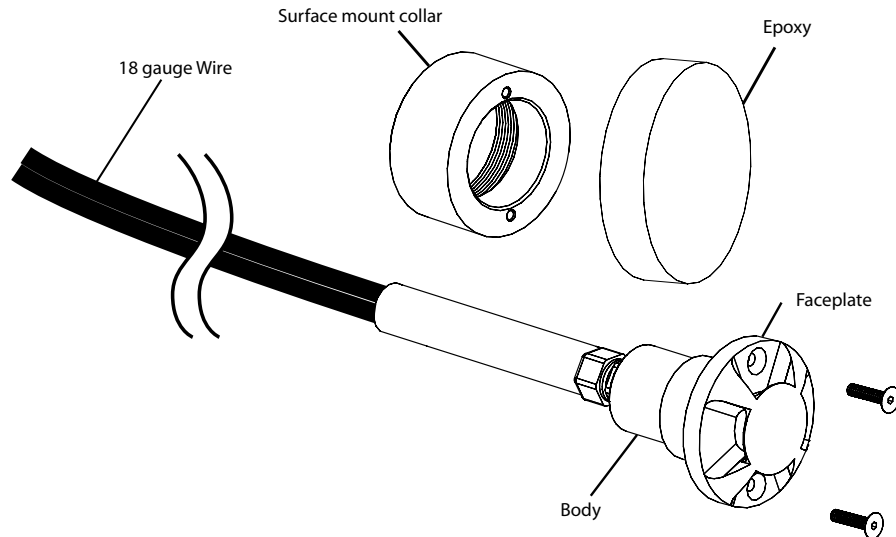
### IMPORTANT SAFETY INFORMATION - READ, FOLLOW, AND SAVE ALL SAFETY AND INSTALLATION INSTRUCTIONS

- Product must be installed by a qualified person in a manner consistent with its intended use and in compliance with the National Electrical Code, Canadian Electrical Code, and all Local and Provincial Codes.
- Follow product label information and instructions.
- Qualified Personnel with appropriate personal protective equipment must perform all servicing of this product.
- Before wiring to power supply and during servicing, turn off and lock out power at fuse or circuit breaker before service.
- The use of accessory equipment not recommended by the manufacturer or installed contrary to instructions may cause an unsafe condition. The use of damaged components may cause an unsafe condition and void product warranty.
- Do not block light emanating from product in whole or part, as this may cause an unsafe condition.
- Never operate the fixture with missing or damaged lens. Lens must be cleaned on regular basis.
- Entire fixture may become extremely hot. Do not touch hot lens or fixture body.
- Replace LED assembly only with correct wattage and type of power supply appropriate for LED assembly.
- All gaskets, o-rings and sealing surfaces must be kept clean during installation and service; failure to do this may cause an unsafe condition and void product warranty.

### IMPORTANT LISTINGS AND CERTIFICATIONS

- Suitable for wet locations Not suitable for through wiring

Please refer to the low voltage design guide at [www.bklighting.com/lvguide](http://www.bklighting.com/lvguide) before installation for proper wire selection.



### IMPORTANT SAFETY INFORMATION - READ, FOLLOW, AND SAVE THESE INSTALLATION INSTRUCTIONS

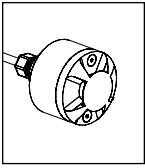
# B-K LIGHTING

40429 Brickyard Drive • Madera, CA 93636 • USA  
559.438.5800 • FAX 559.438.5900  
[www.bklighting.com](http://www.bklighting.com) • [info@bklighting.com](mailto:info@bklighting.com)

RELEASE DATE  
07/24/2023

REFERENCE NUMBER  
INS001080.1

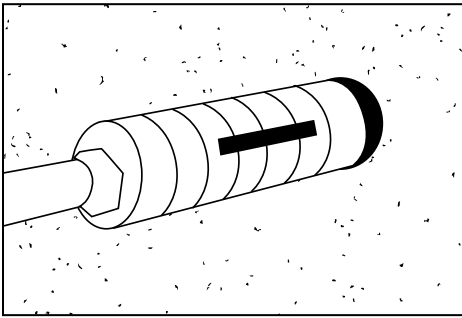
THIS DOCUMENT CONTAINS PROPRIETARY INFORMATION OF B-K LIGHTING, INC. AND ITS RECEIPT OR POSSESSION DOES NOT CONVEY ANY RIGHTS TO REPRODUCE, DISCLOSE ITS CONTENTS, OR TO MANUFACTURE, USE OR SELL ANYTHING IT MAY DESCRIBE. REPRODUCTION, DISCLOSURE OR USE WITHOUT SPECIFIC WRITTEN AUTHORIZATION OF B-K LIGHTING, INC. IS STRICTLY FORBIDDEN.



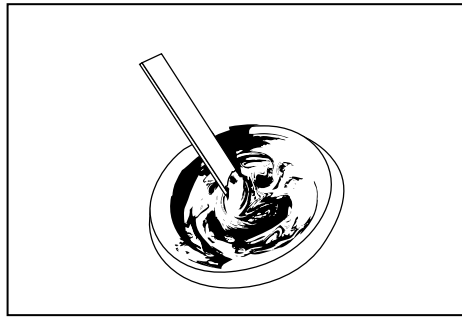
## Standard Installation

# MINI-MICRO iLUME

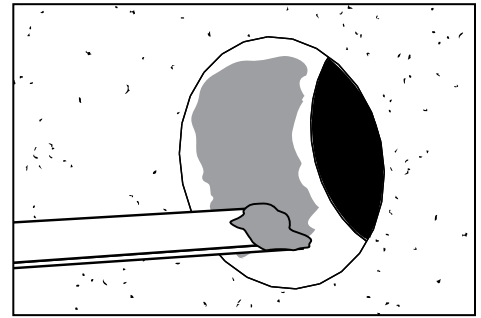
SURFACE MOUNT - LED



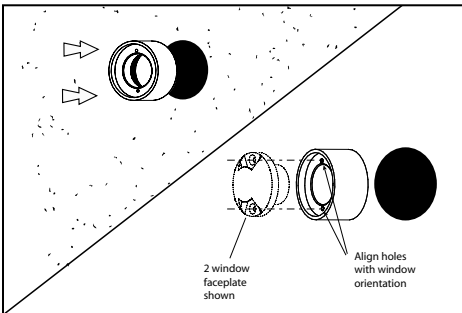
1. Drill 2" diameter hole, 3" deep minimum, for fixture.



2. Prepare epoxy according to instructions on packaging.

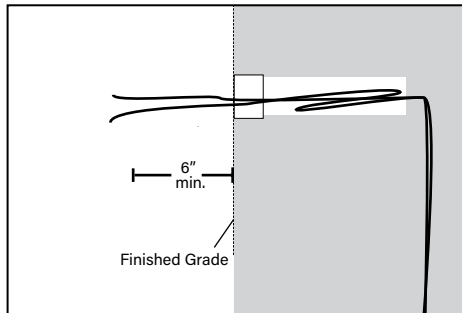


3. Use mixing stick to apply the epoxy to the interior of the 2" hole as shown.



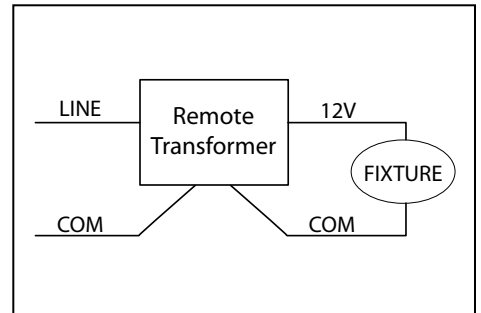
4. Fit surface mount collar into hole so it is flush with finished surface. Wipe off any excess adhesive.

**NOTE:** The optical opening on faceplate will align with the threaded holes in the surface mount collar.

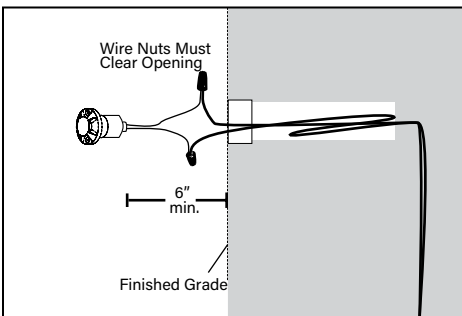


5. Supply low voltage wiring necessary for installation. Loop minimum of 6" of low voltage wire behind mounted collar to allow for fixture service.

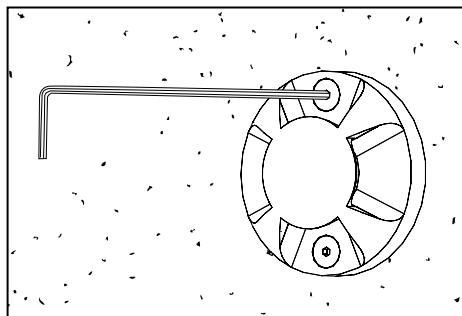
**NOTE:** Leave sufficient wire length in hole for future service.



WIRING DIAGRAM



6. Pull low voltage wire through flush mount collar and make two low voltage connections using proper wire connectors (not included). Insert wires and fixture back into hole.



7. Mount faceplate to collar using two (2) #6-32 x 5/8" flat head cap screws (included) with a 5/64" allen wrench.

**IMPORTANT SAFETY INFORMATION LISTED ON REVERSE  
READ, FOLLOW, AND SAVE ALL SAFETY AND INSTALLATION INSTRUCTIONS**

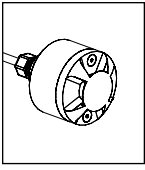


**B-K LIGHTING**

40429 Brickyard Drive • Madera, CA 93636 • USA  
559.438.5800 • FAX 559.438.5900  
www.bklighting.com • info@bklighting.com

RELEASE DATE  
07/24/2023

REFERENCE NUMBER  
INS001080.1

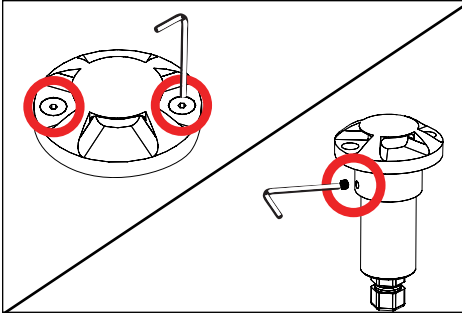


Standard Installation

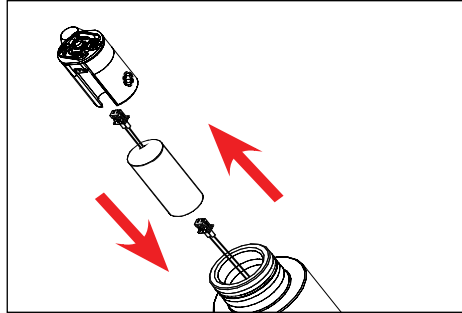
# MINI-MICRO iLUME

SURFACE MOUNT - LED

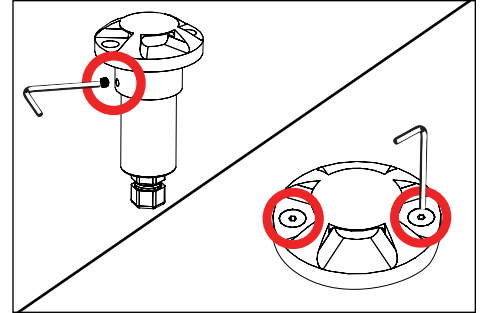
**THIS PRODUCT IS AVAILABLE WITH A FACTORY INSTALLED LED.  
COMPONENT REPLACEMENT - IF REQUIRED**



1. Loosen #8-32 set screw on faceplate assembly using a 5/64" allen wrench and remove. Loosen set screw on collar and remove.



2. Pull the heat sink from the body to expose the LED board and Driver components. Utilize quick disconnects to change modular LED and driver components. Re-install the heat sink into body.



3. Replace faceplate assembly and tighten set screw. Re-Install fixture.

**IMPORTANT SAFETY INFORMATION LISTED ON REVERSE  
READ, FOLLOW, AND SAVE ALL SAFETY AND INSTALLATION INSTRUCTIONS**



**B-K LIGHTING**

40429 Brickyard Drive • Madera, CA 93636 • USA  
559.438.5800 • FAX 559.438.5900  
www.bklighting.com • info@bklighting.com

RELEASE DATE  
07/24/2023

REFERENCE NUMBER  
INS001080.1