

SURFACE / TREE MOUNT JUNCTION BOX

Low Voltage / **BKSL**
SOLID STATE LIGHTING



Warning



Hot Surface



Flammable



Low Voltage

TOOLS NEEDED:



- 5/64" Allen Wrench
- Waterproof Wire Connectors
- Mounting Hardware
- Drill bit and Drill

By Others

INSTRUCTIONS PERTAINING TO A RISK OF FIRE, OR INJURY TO PERSONS IMPORTANT SAFETY INSTRUCTIONS

Lighted lamp is HOT!

WARNING - To reduce the risk of FIRE OR INJURY TO PERSONS:
Turn off/unplug and allow to cool before replacing lamp.
Lamp gets HOT quickly! Contact only switch/plug when
turning on.

Do not touch hot lens, guard, or enclosure (see diagram/
picture).

Keep lamp away from materials that may burn.
Do not touch the lamp at any time. Use a soft cloth. Oil
from skin may damage lamp.
Do not operate the luminaire fitting with a missing or
damaged shield.

SAVE THESE INSTRUCTIONS

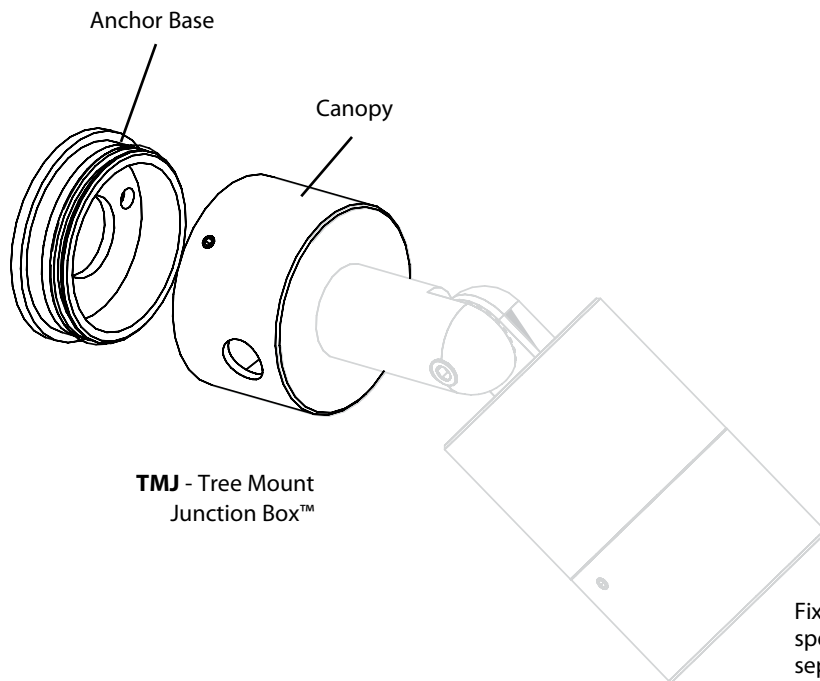
IMPORTANT SAFETY INFORMATION - READ, FOLLOW, AND SAVE ALL SAFETY AND INSTALLATION INSTRUCTIONS

- Product must be installed by a qualified person in a manner consistent with its intended use and in compliance with the National Electrical Code, Canadian Electrical Code, and all Local and Provincial Codes.
- Follow product label information and instructions.
- Qualified Personnel must perform all servicing or relamping of this product.
- Before wiring to power supply and during servicing or relamping, turn off power at fuse or circuit breaker before service.
- The use of accessory equipment not recommended by the manufacturer or installed contrary to instructions may cause an unsafe condition. The use of damaged components may cause an unsafe condition and void product warranty.
- Do not block light emanating from product in whole or part, as this may cause an unsafe condition.
- Never operate the fixture with missing or damaged lens. Lens must be cleaned on regular basis.
- Entire fixture may become extremely hot. Do not touch hot lens or fixture body. Do not touch the lamp at any time. Use a clean, dry, soft cloth to handle the lamp. Oil from skin may damage the lamp and cause it to rupture.
- Replace lamp only with correct wattage and type of lamp marked on fixture label.
- All gaskets, o-rings and sealing surfaces must be kept clean during installation and service; failure to do this may cause an unsafe condition and void product warranty.

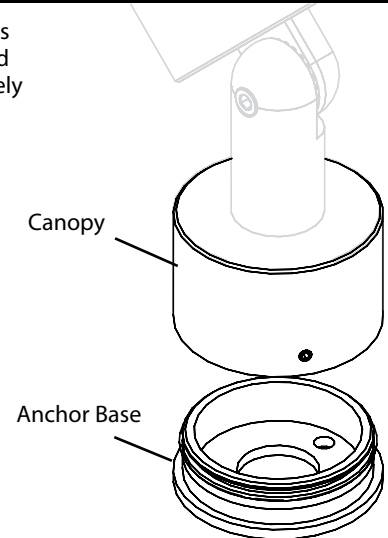
IMPORTANT LISTINGS AND CERTIFICATIONS

- Suitable for wet locations

Please refer to the low voltage design guide at www.bklighting.com/lvguide before installation for proper wire selection.



Fixture is
specified
separately



**SMJ - Surface Mount
Junction Box™**

Fixture is
specified
separately

IMPORTANT SAFETY INFORMATION - READ, FOLLOW, AND SAVE THESE INSTALLATION INSTRUCTIONS

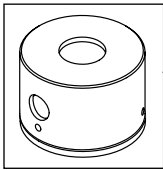
B-K LIGHTING

40429 Brickyard Drive • Madera, CA 93636 • USA
559.438.5800 • FAX 559.438.5900
www.bklighting.com • info@bklighting.com


RELEASED
7-18-14

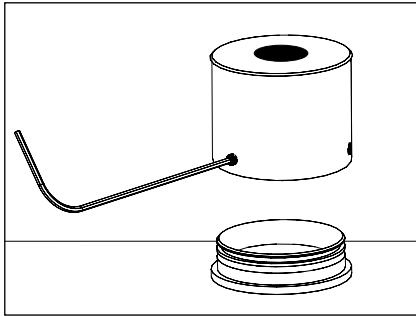
REFERENCE NUMBER
INS001252

THIS DOCUMENT CONTAINS PROPRIETARY INFORMATION OF B-K LIGHTING, INC. AND ITS RECEIPT OR POSSESSION DOES NOT CONVEY ANY RIGHTS TO REPRODUCE, DISCLOSE ITS CONTENTS, OR TO MANUFACTURE, USE OR SELL ANYTHING IT MAY DESCRIBE. REPRODUCTION, DISCLOSURE OR USE WITHOUT SPECIFIC WRITTEN AUTHORIZATION OF B-K LIGHTING, INC. IS STRICTLY FORBIDDEN.

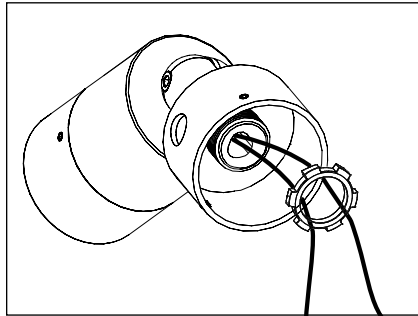


SURFACE / TREE MOUNT JUNCTION BOX

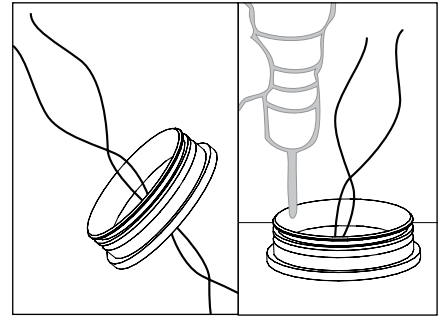
Low Voltage / 



1. Study anchor base plan. Prepare mounting surface for anchor base.
2. Use 5/64" Allen wrench loosen three (3) #8-32 stainless steel set screws (do not remove set screws from canopy). Remove anchor base from bottom of fixture.



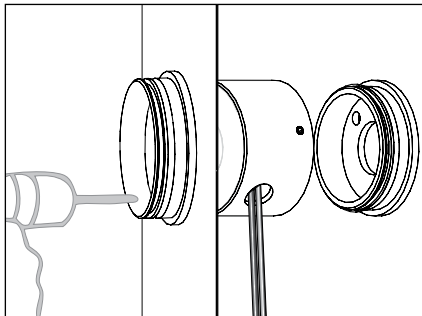
3. Mount knuckle onto canopy by securing 1/2" NPS stem with provided locknut.



SMJ Anchor Mount

4. Pull low voltage wiring from remote 12V transformer (By Others) through the center of the anchor base.

Secure anchor base to solid surface (i.e. wood, concrete, stucco siding,) using appropriate hardware for specific surface.

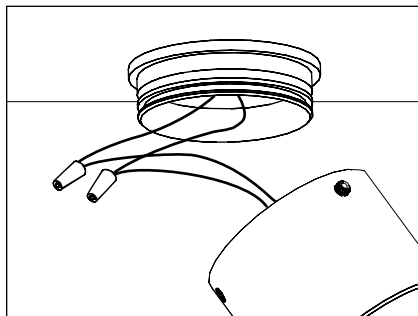


TMJ Anchor Mount

5. Secure anchor base to tree using appropriate hardware.

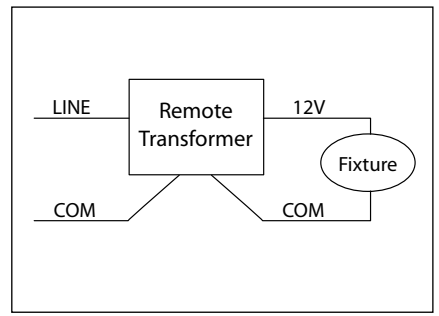
Run low voltage wiring from remote 12V transformer (By Others) to the fixture through the side entry of the canopy.

⚠ Canopy must be mounted vertically and with wireway entry facing to the side or downwards. Do not install facing upwards in outdoor installation.




6. Make two connections from remote 12V transformer to fixture source leads using proper wire connectors (By Others). See wiring diagram.

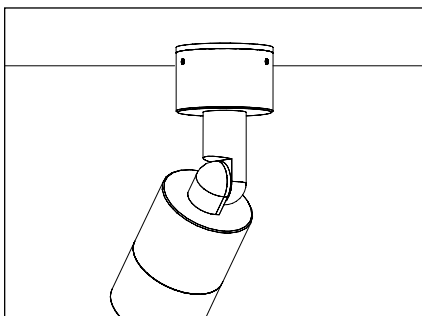
⚠ NOTE: Contractor responsible for executing water tight splice.



WIRING DIAGRAM

⚠ LED - For use with 12VAC  remote transformer or magnetic transformers only. B-K Lighting cannot guarantee performance with third party manufacturers' transformers.

⚠ Low Voltage - For use with 12VAC remote transformer.



7. Place canopy onto anchor base and press firmly until the two pieces are fully seated.
8. Tighten the three (3) #8-32 stainless steel set screws on anchor base with 5/64" Allen wrench.

⚠ NOTE: Do not over-tighten set screws.

**IMPORTANT SAFETY INFORMATION LISTED ON REVERSE
READ, FOLLOW, AND SAVE ALL SAFETY AND INSTALLATION INSTRUCTIONS**



B-K LIGHTING

40429 Brickyard Drive • Madera, CA 93636 • USA
559.438.5800 • FAX 559.438.5900
www.bklighting.com • info@bklighting.com

RELEASED
7-18-14

REFERENCE NUMBER
INS001252