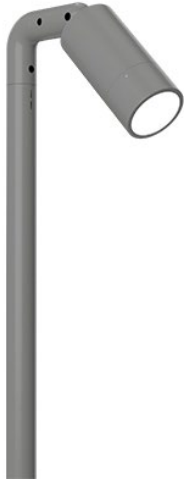


DATE: _____ PROJECT: _____ TYPE: _____

CATALOG NUMBER LOGIC:



*Accommodates up to 2 lens/shielding media.

**For use with incandescent dimmer. 120V only for dimming. Driver wattage must match fixture wattage.

CATALOG NUMBER LOGIC

Example: SF - 24 - L - DE - LED - x59 - FL - WHP - 12 - 11 - A - HP2-D12INC-MT

MATERIAL

Aluminum

SERIES

SF - Staff Star Pathlight

OVERALL HEIGHT

24" (Standard), 30", 36", 42", 48", 54", 60", 66", or 72" height

STAFF STYLE

L - 90° Radius

FIXTURE

DE - Denali Series

SOURCE

LED - Chip on Board Technology

LED TYPE

| | | | |
|-----------------------|-----------------------|-----------------------|---|
| x58 - 12W/2700K/80CRI | x62 - 20W/3000K/80CRI | x66 - 27W/4000K/80CRI | |
| x59 - 12W/3000K/80CRI | x63 - 20W/4000K/80CRI | x67 - 27W/2700K/90CRI | ✓ |
| x60 - 12W/4000K/80CRI | x64 - 27W/2700K/80CRI | x68 - 27W/3000K/90CRI | ✓ |
| x61 - 20W/2700K/80CRI | x65 - 27W/3000K/80CRI | x69 - 27W/3500K/80CRI | |

OPTICS

SP - Spot (15°) FL - Flood (35°) WFL - Wide Flood (60°)

FINISH (See page 2 for full-color swatches)

Standard Finishes (BZP, BZW, BLP, BLW, WHP, WHW, SAP, VER)

Premium Finish (ABP, AMG, AQW, BCM, BGE, BPP, CAP, CMG, CRM, HUG, NBP, OCP, RMG, SDS, SMG, TXF, WCP, WIR)

Also available in RAL Finishes

LENS TYPE*

9 - Clear (Standard)

10 - Spread 12 - Soft Focus 13 - Rectilinear

SHIELDING*

11 - Honeycomb Baffle

CAP STYLE

A - 45°

B - 90°

C - Flush

D - 45° Less Weephole (Interior use only)

E - 90° Less Weephole (Interior use only)

BASE MOUNTING**

HP2-D12INC-MT - In-grade (Flush) Driver Housing with D12INC Dimming Drivers (120-277 VAC. Multi Tap)

HP2-D20INC-MT - In-grade (Flush) Driver Housing with D20INC Dimming Drivers (120-277 VAC. Multi Tap)

HP2-D27INC-MT - In-grade (Flush) Driver Housing with D27INC Dimming Drivers (120-277 VAC. Multi Tap)



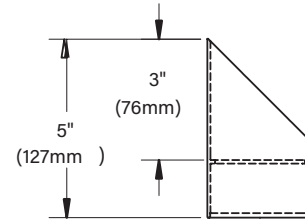
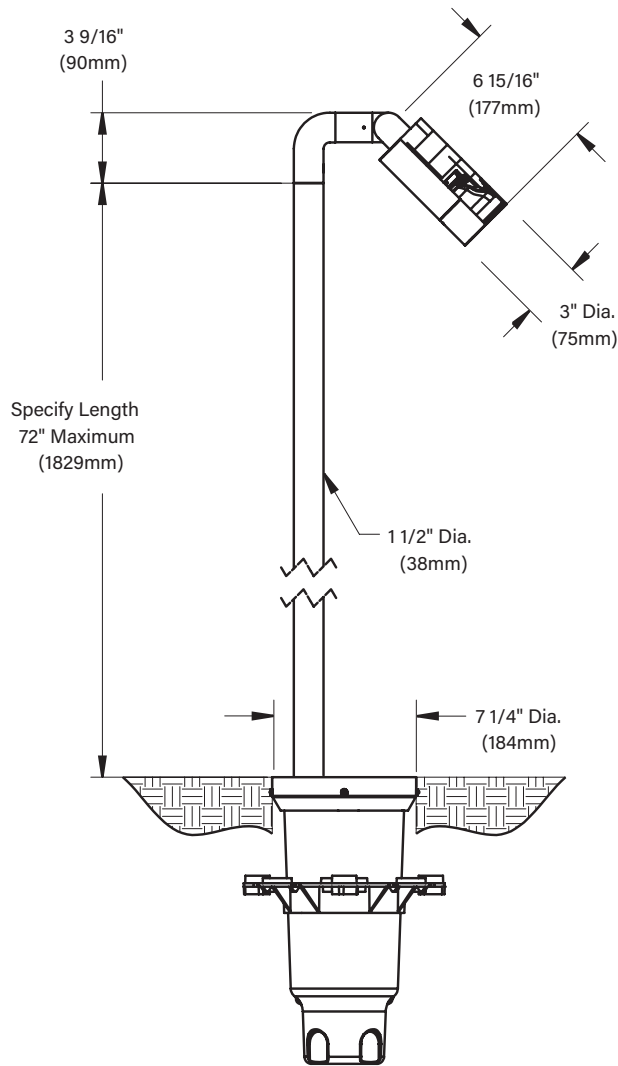
TITLE 24, JA8 COMPLIANT

DATE:

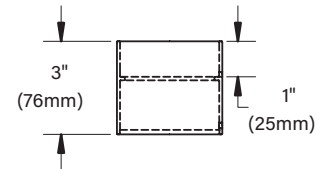
PROJECT:

TYPE:

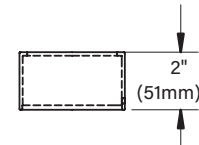
HP2 (Mounting Option)



"A"/"D" CAP



"B"/"E" CAP

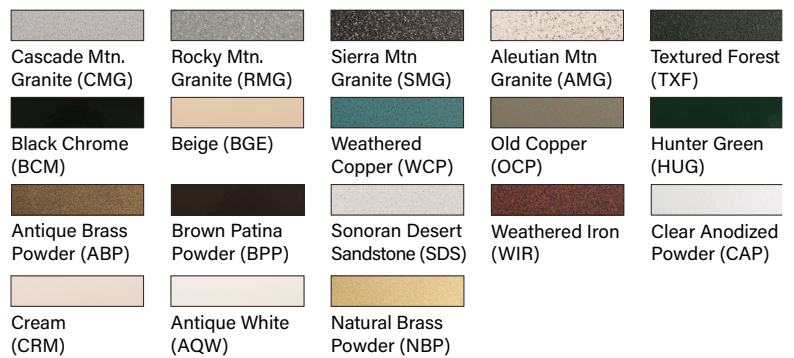


"C" CAP

STANDARD FINISHES



PREMIUM FINISHES



[Click Here](#) to view larger, full-color swatches of all available finishes on our website.

| | | |
|-------|----------|-------|
| DATE: | PROJECT: | TYPE: |
|-------|----------|-------|

ACCESSORIES (Configure separately)

SPECIFICATIONS

| | | |
|------------|------------------|---|
| ELECTRICAL | WATTAGE | 12W, 20W, or 27W LED |
| | WIRING | Teflon® coated, 18AWG, 600V, 250° C rated and certified to UL 1659 standard. |
| HP2 | DRIVER | For use with [1] 700mA (D12, D20, D27), Class A, constant current driver. 120-277VAC (nominal) primary input voltage. 50/60Hz. >0.94 Power Factor, 6A in-rush current, 0.25A input current, <20%THD (nominal at 120VAC full load). Output over-voltage, over-current, and short circuit protection with auto recovery. EMC: FCC47CFR Part 15 Class B compliant. Dimming driver for use with standard incandescent dimmers. 10-100% range. Driver Wattage must match Fixture Wattage. |
| | HP2 | Corrosion-free composite housing provides a clean transition from wiring system to fixture. Two (2) bottom-entry, 3/4" NPT female conduit leads with knockout plugs and four (4) side flats for 1/2" or 3/4" conduit adapters. Solid, 1/2" machined 6061T6 copper-free aluminum with five (5) black oxide, captive, stainless steel mounting screws. Self Evacuating Airtight Lamp Module (SEAL) for IP68 rated, vacuum-sealed enclosure. Patented Anti-Condensation Valve (ACV) eliminates condensation on interior components. High temperature silicone 'O' Ring at faceplate. HydroLock® technology provides fail-safe water barrier between junction box and interior components. Corrosion-free composite flange projects into installation substrate to reinforce housing stability. Integral, copper-free aluminum concrete pour collar (CPC) in black finish allows for direct burial in soil or concrete. Consult Drainage Installation Guide for In-Grade Fixtures (DIG-IT) for compliance with proper soil preparation and drainage requirements prior to installation. |
| PHYSICAL | STYLE | L style features clean, 90° transition from fixture to stem. |
| | MATERIALS | Furnished in copper-free aluminum (6061-T6). |
| | BODY | Unibody design is fully machined from solid billet and provides enclosed, water-proof wireway and integral heat sink for maximum component life. Integral knuckle for maximum mechanical strength. High temperature, silicone 'O' Ring provides water-tight seal. Anti-condensation and corrosion vent equalizes fixture pressure and eliminates potential for damage to internal components. |
| | KNUCKLE | LOCK Knuckle is integral to the body and features an interior taper machined from solid billet and a second, reverse angle taper allowing full 180° vertical adjustment without the use of aim-limiting serrated teeth. High temperature, silicone 'O' Ring provides water-tight seal and compressive resistance to maintain fixture position. Design withstands 73 lbs. static load prior to movement for optical alignment with a 1/2" pipe thread for mounting. Optional 360SL provides biaxial source control with 360° horizontal rotation in addition to vertical adjustment. |
| | CAP | Fully machined and accommodates one (1) lens or louver media. |
| | STEM | Fully machined, 1" dia. with internal threads for maximum visual appeal. Available in configurable lengths to 72" maximum (with Anchor Base) and 48" maximum (with Power Pipe). |
| | LENS | Shock-resistant, tempered glass lens is factory adhered to fixture cap and provides hermetically sealed optical compartment. |
| | LED | Integrated solid state system and modular design with electrical disconnects allows for easy field upgrade and maintenance. High power, forward throw source complies with ANSI C78.377 binning requirements and exceeds ENERGY STAR® lumen maintenance requirements. LM-80 certified components. Title 24, JA8 compliant. Integral, constant current driver. 12VAC/VDC input. 50/60Hz. Proprietary input control scheme achieves power factor correction and eliminates inrush current (limited to <250mA non-dimming). Output, overvoltage, open-circuit, and short circuit protected. Conforms to Safety Std. C22.2 No. 25013-12. |
| | COLOR MANAGEMENT | Corrected cold phosphor technology delivers near-perfect natural white light. Long term phosphor maintenance over product life. Exact color point conformity exceeds ANSI C78.377 standard. Provides uniform beam with no color variation over angle. Module exceeds 80 CRI (RA>80, R9>16). |
| | OPTICS | Interchangeable, color-coded OPTIKIT modules permit field changes to optical distribution. |



B-K LIGHTING

MADE IN THE USA

559.438.5800 | INFO@BKLIGHTING.COM | BKLIGHTING.COM

| | | |
|-------|----------|-------|
| DATE: | PROJECT: | TYPE: |
|-------|----------|-------|

SPECIFICATIONS

| | | |
|----------|-------------------------|--|
| PHYSICAL | HARDWARE | Tamper-resistant, stainless steel hardware. LOCK aiming screw screw is black oxide treated for additional corrosion resistance. |
| | FINISH | StarGuard, our 15-stage chromate-free process cleans and conversion coats aluminum components prior to application of Class 'A' TGIC polyester powder coating and is RoHS compliant. Powder coat or metal finish options available for brass material and metal finish option only for stainless steel material. |
| | WARRANTY | 5-year limited warranty. |
| | CERTIFICATION & LISTING | UL tested to IESNA LM-79. UL listed. Certified to CAN/CSA/ANSI standards. RoHS compliant. Title 24, JA8 compliant. Suitable for indoor or outdoor use, in wet locations, and for installation within 4' of the ground. IP66 Rated. Made in the USA with sustainable materials. |



LAMP & DRIVER DAT (page 2 of 2)

| | | |
|-------|----------|-------|
| DATE: | PROJECT: | TYPE: |
|-------|----------|-------|

OPTICS

| Optic | Angle |
|------------|-------|
| Spot | 15° |
| Flood | 35° |
| Wide Flood | 60° |