

DATE: PROJECT: TYPE:

CATALOG NUMBER LOGIC:



*36" maximum stem length with Power Canopy option.

CATALOG NUMBER LOGIC

Example: SN - 18 - B - MN - MR - 0 - WHP - 9 - 11 - C - PC75-120

MATERIAL

Aluminum

SERIES

SN - Sign Star

STEM LENGTH

18" (Standard), *24", *30", *36", *42", or *48"

STYLE

B - 180° Radius

FIXTURE

MN - Micro Nite Star

SOURCE

MR - MR11 Lamp

LAMP TYPE

0 - MR11 Halogen Lamp (Sourced by others)

FINISH (See page 2 for full-color swatches)

Standard Finishes (BZP, BZW, BLP, BLW, WHP, WHW, SAP, VER)

Premium Finish (ABP, AMG, AQW, BCM, BGE, BPP, CAP, CMG, CRM, HUG, NBP, OCP, RMG, SDS, SMG, TXF, WCP, WIR)

(Also available in RAL Finishes. See submittal SUB-1439-00)

LENS TYPE

9 - Clear (Standard)

10 - Spread 12 - Soft Focus 13 - Rectilinear

SHIELDING

11 - Honeycomb Baffle

CAP STYLE

A - 45°

B - 90°

C - Flush

D - 45° Less Weephole (Interior use only)

E - 90° Less Weephole (Interior use only)

OPTIONS

PC75-120 - Power Canopy with 75VA Electronic 120V Transformer*

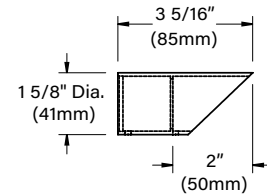
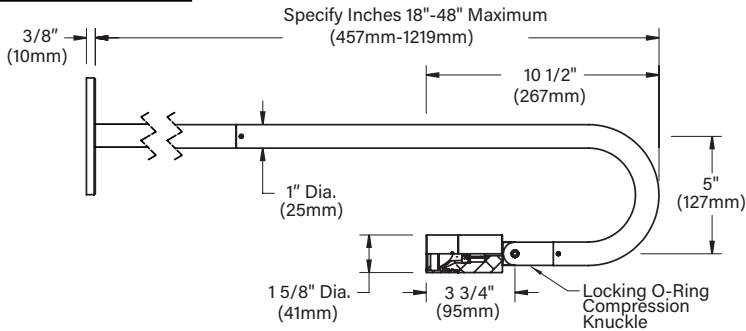
PC75-230 - Power Canopy with 75VA Electronic 230V Transformer*

PC75-277 - Power Canopy with 75VA Electronic 277V Transformer*

UPM - Universal Power Module

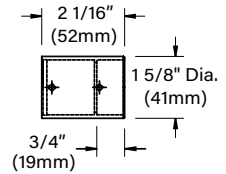
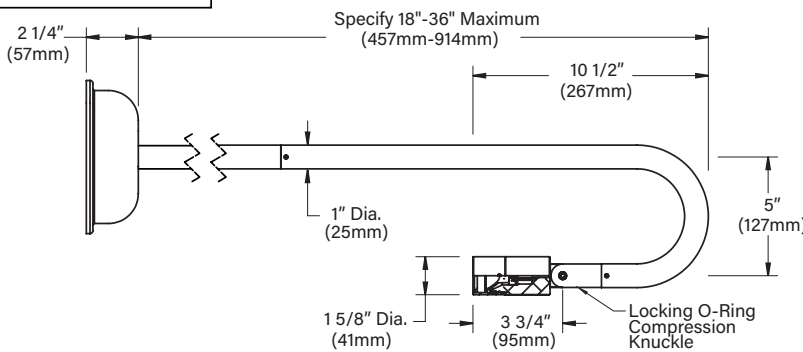
DATE: _____ PROJECT: _____ TYPE: _____

CANOPY - SIDE VIEW



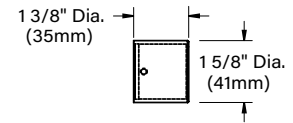
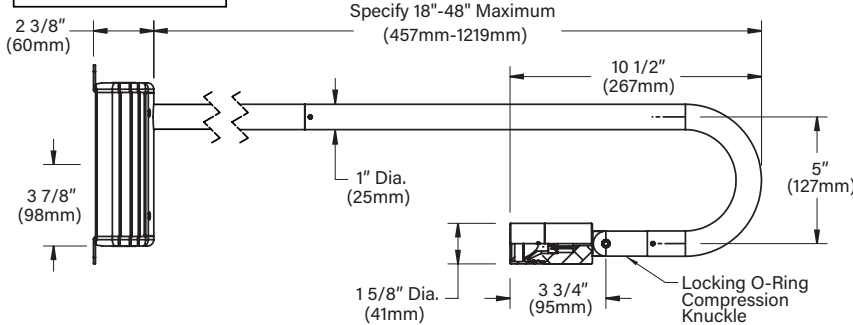
"A/D" CAP

PC - SIDE VIEW



"B/E" CAP

UPM - SIDE VIEW

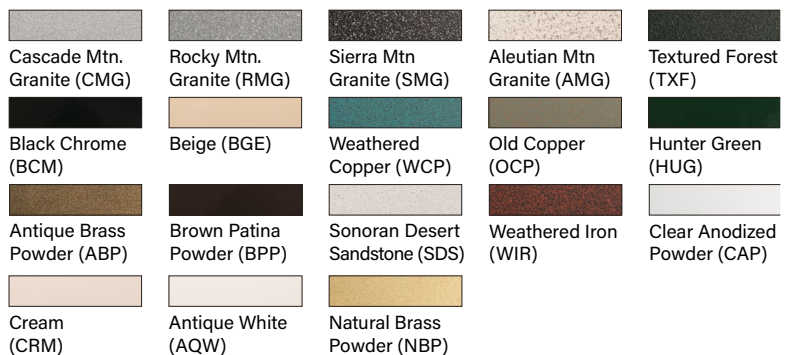


"C" CAP

STANDARD FINISHES



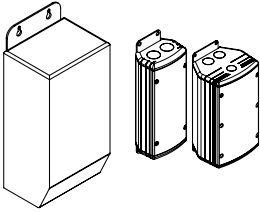
PREMIUM FINISHES



[Click Here](#) to view larger, full-color swatches of all available finishes on our website.

DATE: _____ PROJECT: _____ TYPE: _____

ACCESSORIES (Configure separately)



TR Series

UPMRM

SPECIFICATIONS

ELECTRICAL	WATTAGE WIRING REMOTE TRANSFORMER	20W Maximum PVC coated, 12AWG, 150V, 60° C rated and certified to UL 1838 standard. For use with 12 VAC remote transformer.
PHYSICAL	MATERIALS STYLE BODY KNUCKLE CAP STEM LENS LAMP INSTALLATION HARDWARE FINISH WARRANTY CERTIFICATION & LISTING	Furnished in copper-free aluminum (6061-T6). B' style provides single bend, 180° radius from fixture to stem. Unibody design is fully machined from solid billet and provides enclosed, water-proof wireway and heat sink to maximize lamp life. Integral knuckle for maximum mechanical strength. High temperature, silicon 'O' Ring provides water-tight seal. LOCK Knuckle is composed of two components. The first is integral to the body and features an interior, machined taper. The second is machined from solid billet and features a second, reverse angle taper. The resultant mechanical taper-lock allows a full 180° vertical adjustment without the use of aim-limiting, serrated teeth. Design withstands 73 lbs. static load prior to movement to ensure decades of optical alignment. 1/2" pipe thread for mounting. Fully machined and accommodates two (2) lens or louver media. Fully machined, 1" dia. with internal threads for maximum visual appeal. Available in configurable lengths to 48" maximum overall. Shock-resistant, tempered glass lens is factory adhered to fixture cap and provides hermetically sealed optical compartment. For use with 20W maximum, MR11 lamp. Halogen sourced by others. 5" dia., machined canopy with stainless steel universal mounting ring permits mounting to 4' octagonal junction box. Junction box installation must be designed to hold full fulcrum weight of fixture (junction box and gasket by others). Tamper-resistant, stainless steel hardware. LOCK aiming screw is black oxide treated for additional corrosion resistance. StarGuard, our 15-stage chromate-free process cleans and conversion coats aluminum components prior to application of Class 'A' TGIC polyester powder coating and is RoHS compliant. Brass components are available in powder coat or handcrafted metal finish. Stainless steel components are only available in handcrafted metal finish. 5-year limited warranty. UL Listed. Certified to CAN/CSA/ANSI standards. RoHS compliant. Suitable for indoor or outdoor use, in wet locations, and for installation within 4' of the ground. Made in the USA with sustainable processes.

