

DATE: PROJECT: TYPE:

CATALOG NUMBER LOGIC:



CATALOG NUMBER LOGIC

Example: PT-HU - 2090 - x110 - FL - 12 - 11 - A - 2 - INC - MT - TE - BLP

MATERIAL

Aluminum

SERIES

PT-HU - Pole Top Hume

NUMBER OF FLOODLIGHTS & ORIENTATION

1000 - 1 @ 0°

2090 - 2 @ 90°

2180 - 2 @ 180°

3090 - 3 @ 90°

3120 - 3 @ 120°

4090 - 4 @ 90°

LED TYPE

Available with Narrow Spot Optic

x105 - 36W/2.7K/80CRI x109 - 36W/2.7K/90CRI

x106 - 36W/3K/80CRI x110 - 36W/3K/90CRI

x107 - 36W/3.5K/80CRI x111 - 36W/3.5K/90CRI

x108 - 36W/4K/80CRI x112 - 36W/4k/90CRI

Available with NFL, FL, and WFL Optics

x113 - 34W/2.7K/80CRI x117 - 34W/2.7K/90CRI

x114 - 34W/3K/80CRI x118 - 34W/3K/90CRI

x115 - 34W/3.5K/80CRI x119 - 34W/3.5K/90CRI

x116 - 34W/4K/80CRI x120 - 34W/4K/90CRI

OPTICS

NS - Narrow Spot (11°) NFL - Narrow Flood (25°) FL - Flood (43°) WFL - Wide Flood (56°)

LENS TYPE*

9 - Clear (Standard)

12 - Soft Focus 13 - Rectilinear

SHIELDING*

11 - Honeycomb Baffle

CAP STYLE

A - 45°

B - 90°

C - Flush

D - 45° Less Weep Hole (Downward Aiming Only)

E - 90° Less Weep Hole (Downward Aiming Only)

KNUCKLE OPTIONS

1 - Rear Knuckle 2 - Side Knuckle

CONTROL

ELV - Dimming Driver (For use with Electronic Low Voltage Dimmer)**

INC - Dimming Driver (For use with Incandescent Dimmer)**

0-10 - Dimming Driver (For use with 0-10 Dimmer)

INPUT VOLTAGE

MT - 120-277 VAC

*Accommodates up to 2 lens/shielding media .

**120V only.

HUME POLE TOP (INTEGRAL) IP66 RATED

DATE:	PROJECT:	TYPE:
-------	----------	-------

CATALOG NUMBER LOGIC:



OPTIONS

TE - Tamper Resistant

FINISH (See page 3 for full-color swatches)

Standard Finishes (BZP, BZW, BLP, BLW, WHP, WHW, SAP, VER)

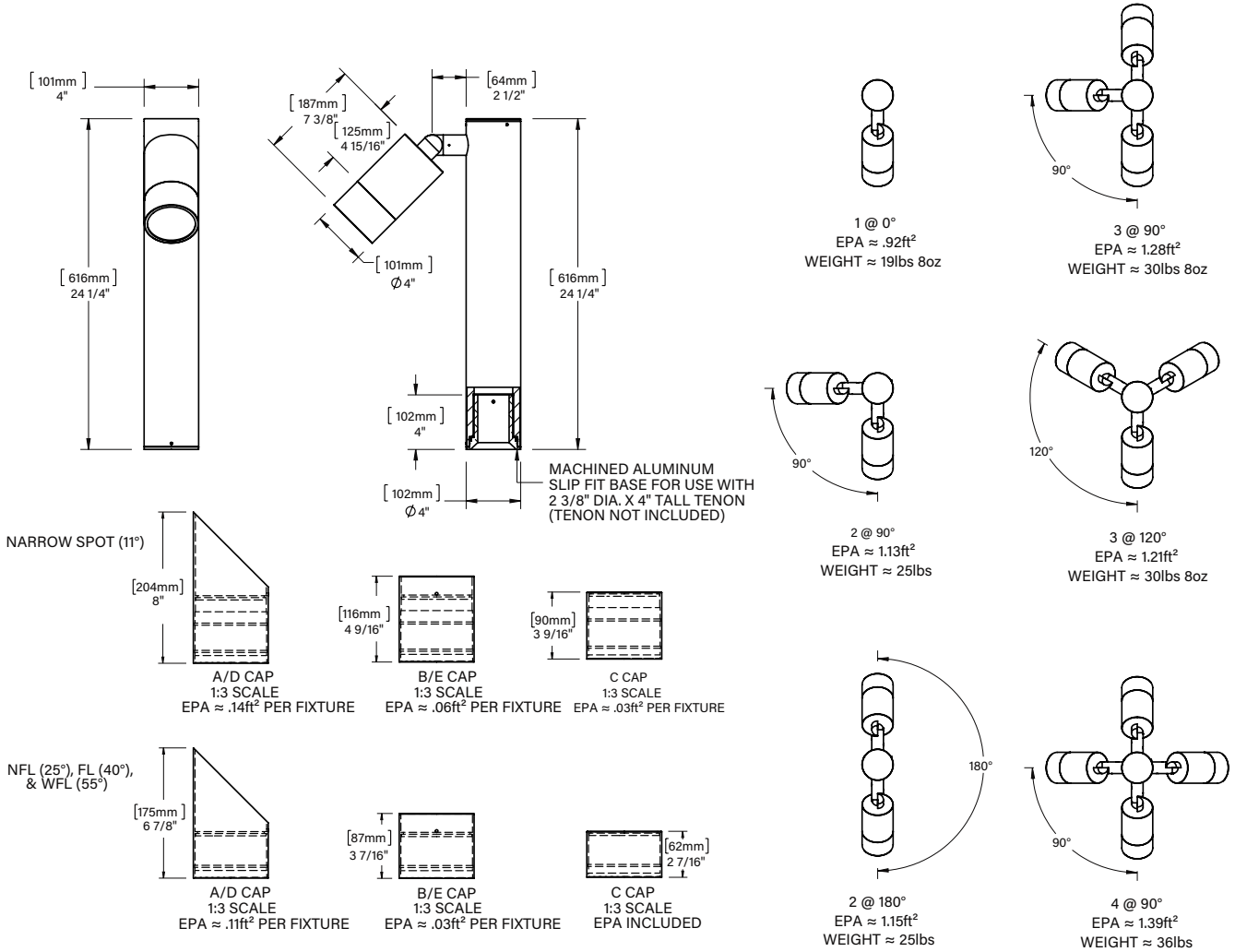
Premium Finish (ABP, AMG, AQW, BCM, BGE, BPP, CAP, CMG, CRM, HUG, NBP, OCP, RMG, SDS, SMG, TXF, WCP, WIR)

Also available in RAL Finishes

**Accommodates up to 2 lens/shielding media .*

***120V only.*

DATE: _____ PROJECT: _____ TYPE: _____



STANDARD FINISHES



PREMIUM FINISHES



[Click Here](#) to view larger, full-color swatches of all available finishes on our website.

DATE:	PROJECT:	TYPE:
-------	----------	-------

ACCESSORIES (Configure separately)

SPECIFICATIONS

ELECTRICAL	WATTAGE	34W or 36W LED
	LED	Integrated solid state system with COB technology is scalable for field upgrade. Modular design with electrical quick disconnects permit field maintenance. Minimum 50,000 hour rated life at 70% of initial lumens (L70).
	DRIVER	With one (1) 900mA, Class II, constant current integral driver. 50/60Hz. >0.9 Power Factor, 5A in-rush current (typical at 120VAC), ≤20%THD (nominal at 120VAC full load). Output over-voltage, over-current, and short circuit protection with auto recovery. Dimming driver for use with 0-10V, Incandescent or ELV dimmers. 1-100% range. *INC/ELV dimming at 120VAC only.
	WIRING	18GA Stranded, XLPE, 150°C, 600V wire; rated and certified to UL3321.
PHYSICAL	MATERIALS	Furnished in copper-free aluminum (6061-T6).
	BODY	Unibody design with enclosed, water-proof wireway and integral heat sink is fully machined from solid billet. Anti-condensation and corrosion vent equalizes fixture pressure and eliminates potential for damage to internal components.
	KNUCKLE	360HD Mounting System features a mechanical taperlock, allowing full 180° vertical adjustment without the use of aim-limiting serrated teeth. High temperature, silicone 'O' Ring provides water-tight seal and compressive resistance to maintain fixture position. Design withstands 73 lbs. static load prior to movement for optical alignment with a ½" pipe thread for mounting. Biaxial source control additionally provides 360° horizontal rotation in addition to vertical adjustment. Aim & Lock technology allows precision adjustment without the redundant tightening and loosening of knuckle screw.
	CAP	Fully machined and accommodates two (2) lens or louver media. Offered with both tool-less and tamper-resistant options.
	LENS	Shock-resistant, tempered glass lens is factory adhered to fixture cap and provides hermetically sealed optical compartment.
	OPTICS	Interchangeable optics permit optical field changes.
	HARDWARE	Tamper-resistant, stainless steel hardware. 360HD hardware is black oxide treated for additional corrosion resistance.
	MOUNTING	Pole base designed to adapt to 2 3/8" x 4" high pole tenon provided by customer.
	FINISH	StarGuard, our 15-stage chromate-free process cleans and conversion coats aluminum components prior to application of Class 'A' TGIC polyester powder coating and is RoHS compliant.
	WARRANTY	5-year limited warranty.
CERTIFICATION & LISTING	UL tested to IESNA LM-79. UL Listed. Certified to CAN/CSA/ANSI Standards. RoHS compliant. Suitable for indoor or outdoor use, in wet locations, and for installation within 4' of the ground. IP66 Rated. Made in the USA with sustainable processes.	



LAMP & DRIVER DATA

DATE: PROJECT: TYPE:

DRIVER DATA	Type	AC Input Range	Frequency Hz	Power Factor at Full Load (Efficiency)	THD	In Rush Current	Operating Current	Operation Ambient Temperature	Dimmer Type	Dimmer Range
	Integral	120-277VAC	50/60	>0.9	<20%	120VAC - 5 / 277VAC - 6	900mA	-30°C - 90°C	Triac/ELV/0-10	1-100%

L70 DATA

BK No.	CCT (Typ.)	CRI (Typ.)	Input Watts (Typ.)	L70 Data	Angle	CBCP	Delivered Lumens	Multiplier
x113	2700	80	34	50,000	25	8,372	3,325	0.90
x113	2700	80	34	50,000	43	4,372	3,326	0.90
x113	2700	80	34	50,000	56	3,556	3,265	0.90
x114	3000	80	34	50,000	25	8,413	3,341	0.91
x114	3000	80	34	50,000	43	4,393	3,342	0.91
x114	3000	80	34	50,000	56	3,573	3,281	0.91
x115	3500	80	34	50,000	25	8,955	3,557	0.97
x115	3500	80	34	50,000	43	4,676	3,558	0.97
x115	3500	80	34	50,000	56	8,804	3,493	0.97
x116	4000	80	34	50,000	25	9,271	3,682	1.00
x116	4000	80	34	50,000	43	4,841	3,683	1.00
x116	4000	80	34	50,000	56	3,938	3,616	1.00
x117	2700	90	34	50,000	25	6,746	3,099	0.81
x117	2700	90	34	50,000	43	3,522	2,680	0.81
x117	2700	90	34	50,000	56	2,865	2,631	0.81
x118	3000	90	34	50,000	25	6,812	2,705	0.81
x118	3000	90	34	50,000	43	3,557	2,706	0.81
x118	3000	90	34	50,000	56	2,894	2,657	0.81
x119	3500	90	34	50,000	25	7,719	3,065	0.86
x119	3500	90	34	50,000	43	4,030	3,066	0.86
x119	3500	90	34	50,000	56	3,279	3,011	0.86
x120	4000	90	34	50,000	25	8,273	3,285	0.89
x120	4000	90	34	50,000	43	4,320	3,286	0.89
x120	4000	90	34	50,000	56	3,514	3,227	0.89
x105	2700	80	36	50,000	11	23,306	1,500	0.89
x106	3000	80	36	50,000	11	27,190	1,750	1.04
x107	3500	80	36	50,000	11	25,605	1,648	0.98
x108	4000	80	36	50,000	11	26,118	1,681	1.00
x109	2700	90	36	50,000	11	14,557	937	0.62
x110	3000	90	36	50,000	11	19,814	1,275	0.73
x111	3500	90	36	50,000	11	17,572	1,131	0.69
x112	4000	90	36	50,000	11	18,283	1,177	0.70

OPTICS

Optic	Angle
Narrow Spot	11°
Narrow Spot w/ 12	12°
Narrow Spot w/ 13	13 x 53
Narrow Flood	25°
Flood	43°
Wide Flood	56°

B-K LIGHTING

MADE IN THE USA

559.438.5800 | INFO@BKLIGHTING.COM | BKLIGHTING.COM

THIS DOCUMENT CONTAINS PROPRIETARY INFORMATION OF B-K LIGHTING, INC. AND ITS RECEIPT OR POSSESSION DOES NOT CONVEY ANY RIGHTS TO REPRODUCE, DISCLOSE ITS CONTENTS, OR TO MANUFACTURE, USE OR SELL ANYTHING IT MAY DESCRIBE. REPRODUCTION, DISCLOSURE OR USE WITHOUT SPECIFIC WRITTEN AUTHORIZATION OF B-K LIGHTING, INC. IS STRICTLY FORBIDDEN.