

Machined Aluminum Olympus Fixture with Solid State System

(Specify Watts & CCT):

x58 - 12WLED/2700K

x59 - 12WLED/3000K

x60 - 12WLED/4000K

x61 - 20WLED/2700K

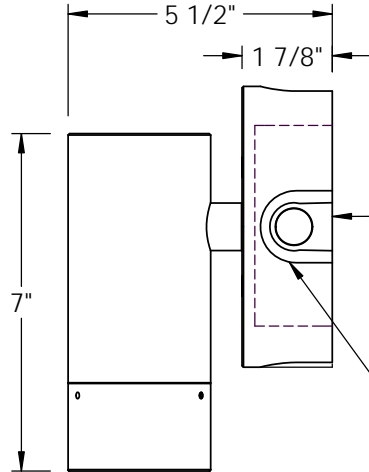
x62 - 20WLED/3000K

x63 - 20WLED/4000K

x64 - 27WLED/2700K

x65 - 27WLED/3000K

x66 - 27WLED/4000K

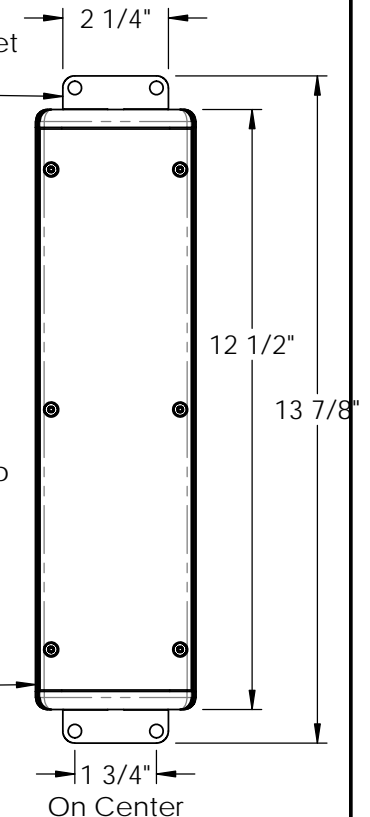


Stainless Steel Mounting Bracket with (4) Clearance Holes for 1/4" Fasteners (By Others)

4" Round Cast Aluminum Box with (5) 3/4" NPS Threaded Holes (4) Plugs Provided

Machined Aluminum Canopy with 1 1/2" Dia Slots, **Specify Location and Number of Slots.** (See Canopy Detail to Select Slot Positions)

Aluminum Wet Location Compartment with (2) Incandescent Drivers 120V Through 277V (Dimming 120V Only)
50 ft. Maximum Remote Wire Distance, Use 12Ga., Wire From Driver to Fixture



(Specify Optics): SP (15°) FL (35°) or WFL (60°)

(Specify Up to Two Lens/ Shielding Types):

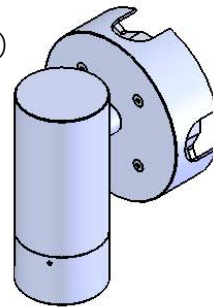
#9 Clear (Standard)

#10 Spread

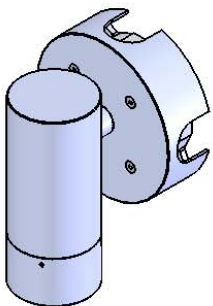
#11 Honeycomb Baffle

#12 Soft Focus

#13 Rectilinear

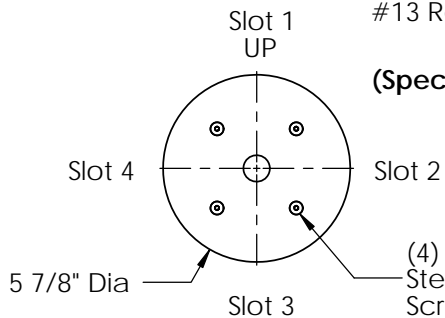
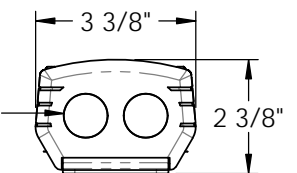


(Specify Cap Style): "A", "B", "C", "D" or "E"



Specify Any Standard B-K Lighting Powder Coat Finish

(4) 1/2" Knockouts for use with Surface Conduit, (2) Each End, (Conduit By Others)



(4) #10-24 X 1" Stainless Steel Flat Head Mounting Screws with Black Oxide Finish

Canopy Detail

End Cap Detail

ALL DIMENSIONS INDICATED ON THIS SUBMITTAL ARE NOMINAL. CONTACT TECHNICAL SALES IF YOU REQUIRE MORE STRINGENT DIMENSIONAL SPECIFICATIONS.

THIS DOCUMENT CONTAINS PROPRIETARY INFORMATION OF B-K LIGHTING AND ITS RECEIPT OR POSSESSION DOES NOT CONVEY ANY RIGHTS TO REPRODUCE, DISCLOSE ITS CONTENTS, OR TO MANUFACTURE, USE OR SELL ANYTHING IT MAY DESCRIBE. REPRODUCTION, DISCLOSURE OR USE WITHOUT SPECIFIC WRITTEN AUTHORIZATION OF B-K LIGHTING IS STRICTLY FORBIDDEN.



(2) CATSKILL FIXTURES W/ SLOTTED CANOPY PM2DRM-SM

07/13/18

B-K LIGHTING, INC.

DRAWING NUMBER
CUS-1628-27