

DATE:	PROJECT:	TYPE:
-------	----------	-------

CATALOG NUMBER LOGIC:

**CATALOG NUMBER LOGIC**

Example: CK - PAR20 - 0 - SAP - 9 - 11

MATERIAL

Aluminum

SERIES

CK - Catskill

SOURCE

PAR20 - PAR20 Lamp

LAMP TYPE

0 - PAR20 Halogen Lamp (Sourced by others)

510 - 6.5W/15DEG/2700K

511 - 6.5W/25DEG/2700K

512 - 6.5W/40DEG/2700K

513 - 6.5W/15DEG/3000K

514 - 6.5W/25DEG/3000K

515 - 6.5W/40DEG/3000K

516 - 6.5W/40DEG/4000K

FINISH (See page 2 for full-color swatches)

Standard Finishes (BZP, BZW, BLP, BLW, WHP, WHW, SAP, VER)

Premium Finish (ABP, AMG, AQW, BCM, BGE, BPP, CAP, CMG, CRM, HUG, NBP, OCP, RMG, SDS, SMG, TXF, WCP, WIR)

Also available in RAL Finishes

LENS TYPE

9 - Clear (Standard)

10 - Spread

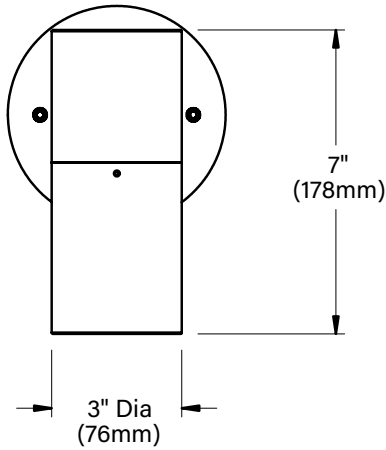
12 - Soft Focus

13 - Rectilinear

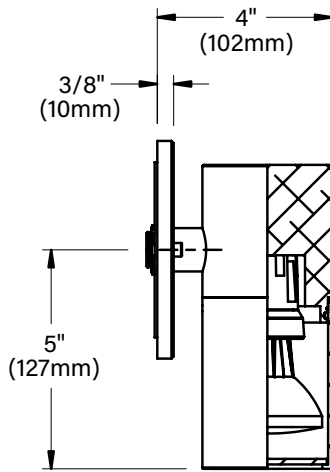
SHIELDING

11 - Honeycomb Baffle

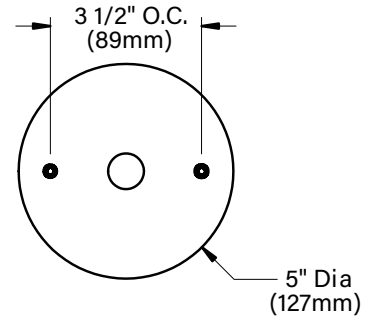
DATE: _____ PROJECT: _____ TYPE: _____



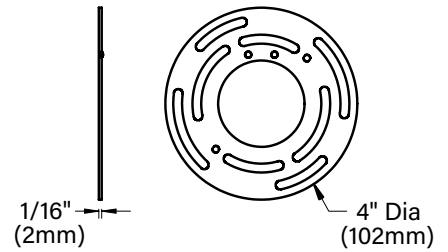
FRONT VIEW



SIDE VIEW



CANOPY DETAIL

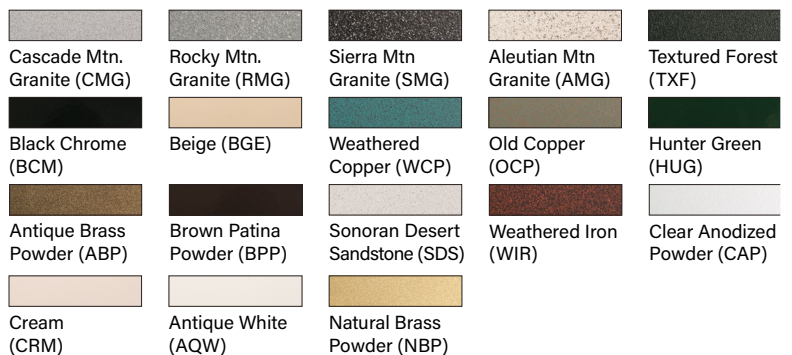


UNIVERSAL RING

STANDARD FINISHES



PREMIUM FINISHES



[Click Here](#) to view larger, full-color swatches of all available finishes on our website.

DATE:	PROJECT:	TYPE:
-------	----------	-------

ACCESSORIES (Configure separately)

Drivers (Configure separately)

SPECIFICATIONS

ELECTRICAL	WATTAGE	6.5W
	SOCKET	Specification grade, ceramic body lamp holder. Medium base, nickel-plated copper alloy lamp grip and screw shell. Corrosion resistant coil spring under center contact.
	WIRING	Teflon® coated wire, 18AWG, 600V, 250° C rated and certified to UL1659 standard.
PHYSICAL	MATERIALS	Furnished in copper-free aluminum (6061-T6).
	BODY	Unibody design is fully machined from solid billet and provides enclosed, water-proof wireway and heat sink to maximize lamp life. Integral knuckle for maximum mechanical strength. High temperature, silicon 'O' Ring provides water-tight seal.
	CAP	Fully machined and accommodates two (2) lens or louver media.
	LENS	Shock-resistant, tempered glass lens is factory adhered to fixture cap and provides hermetically sealed optical compartment.
	LAMP	For use with 50W maximum, PAR20 line voltage halogen lamp, sourced by others.
	INSTALLATION	5" dia., machined canopy with stainless steel universal mounting ring permits mounting to 4" octagonal junction box (by others). Suitable for uplight or downlight installation.
	HARDWARE	Tamper-resistant, stainless steel hardware. LOCK aiming screw is black oxide treated for additional corrosion resistance.
	FINISH	StarGuard, our 15-stage chromate-free process cleans and conversion coats aluminum components prior to application of Class 'A' TGIC polyester powder coating and is RoHS compliant. Brass components are available in powder coat or handcrafted metal finish. Stainless steel components are only available in handcrafted metal finish.
WARRANTY	5-year limited warranty.	
CERTIFICATION & LISTING	UL Listed. Certified to CAN/CSA/ANSI standards. IP66 rated. RoHS compliant. Suitable for indoor or outdoor use and in wet locations. Made in the USA with sustainable processes.	

**B-K LIGHTING****MADE IN THE USA**559.438.5800 | INFO@BKLIGHTING.COM | BKLIGHTING.COM