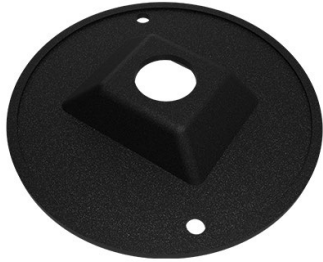


DATE: _____ PROJECT: _____ TYPE: _____

CATALOG NUMBER LOGIC:



CATALOG NUMBER LOGIC

Example: BC4 - BZP

MATERIAL

Aluminum

SERIES

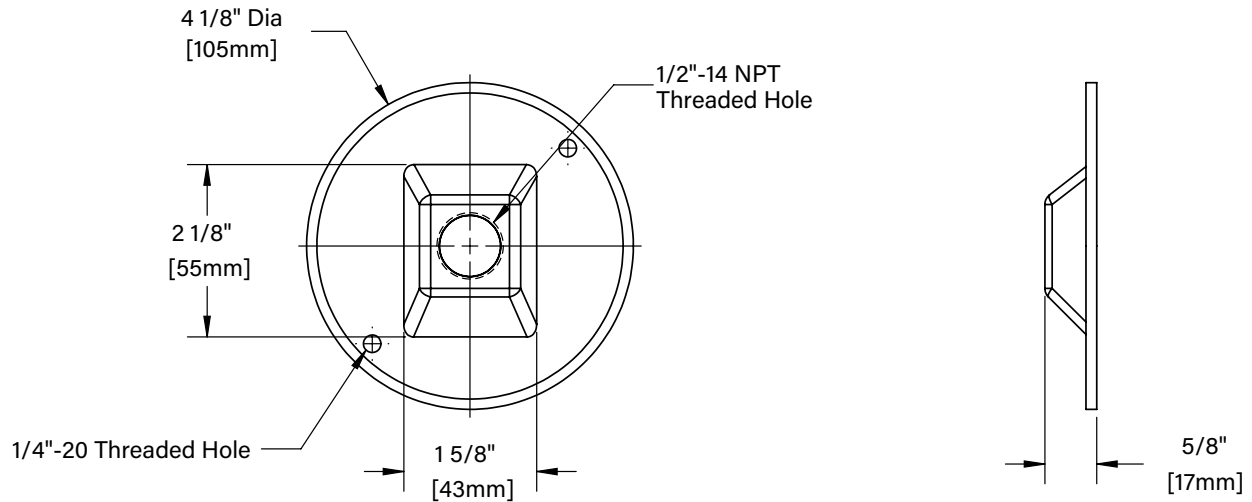
BC4 - Cast Canopy Cover

FINISH (See below for full-color swatches)

Standard Finishes (BZP, BZW, BLP, BLW, WHP, WHW, SAP, VER)

Premium Finish (ABP, AMG, AQW, BCM, BGE, BPP, CAP, CMG, CRM, HUG, NBP, OCP, RMG, SDS, SMG, TXF, WCP, WIR)

Also available in RAL Finishes.



STANDARD FINISHES



PREMIUM FINISHES



[Click Here](#) to view larger, full-color swatches of all available finishes on our website.

DATE:	PROJECT:	TYPE:
-------	----------	-------

ACCESSORIES (Configure separately)

SPECIFICATIONS

PHYSICAL	MATERIALS	Furnished in die cast copper-free aluminum.
	CANOPY	4-1/4" diameter canopy. Cast aluminum with chamfered edge. 7/8" dia. slip hole for use with 1/2" I.P. threaded nipple. Two (2) holes for #10 mounting screws (by others).
	INSTALLATION	For use with 3" recessed octagonal junction box or 3" mud ring on 4" octagonal junction box (by others).
	FINISH	StarGuard, our 15-stage chromate-free process cleans and conversion coats aluminum components prior to application of Class 'A' TGIC polyester powder coating and is RoHS compliant.
	WARRANTY	5-year limited warranty.
	CERTIFICATION & LISTING	Suitable for indoor or outdoor use. RoHS Compliant. Made in USA with sustainable processes.

