

TR SERIES (MAGNETIC TRANSFORMER)

DATE: _____ PROJECT: _____ TYPE: _____

CATALOG NUMBER LOGIC:



CATALOG NUMBER LOGIC

Example: TR150 - 120

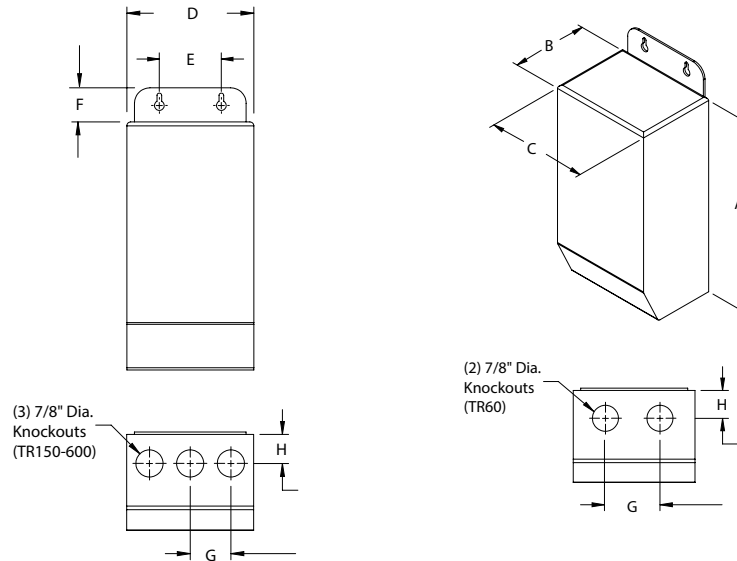
SERIES

- TR60 - 60W Magnetic Transformer
- TR150 - 150W Magnetic Transformer
- TR300 - 300W Magnetic Transformer
- TR600 - 600W Magnetic Transformer

INPUT VOLTAGE

- 120 - 120 Volt
- 277 - 277 Volt

DIMENSIONS



TRANSFORMER DATA

All dimensions indicated on this submittal are nominal. Contact Technical Sales if you require more stringent specifications.

Series	Input Voltage	Max. Load	Circuit Breaker	Weight	Height A	Depth B	C	D	E	F	G	H
TR60	120V	60W	8A	3.7 lbs.	7-1/2"	2-15/16"	3"	3-7/64"	1-1/2"	1-1/16"	1-1/2"	3/4"
TR150	120V	150W	25A	6 lbs.	8"	3-3/32"	4-3/32"	5-1/2"	2"	1-1/8"	1-5/16"	15/16"
TR300	120V	300W	25A	7.13 lbs.	8"	3-3/32"	4-3/32"	5-1/2"	2"	1-1/8"	1-5/16"	15/16"
TR600	120V	600W	25A	14.9 lbs.	9-13/32"	4-3/32"	4-19/32"	5-3/4"	2"	1-1/16"	1-1/2"	1-1/4"
TR60	277V	60W	8A	3.7 lbs.	7-1/2"	2-15/16"	3"	3-7/64"	1-1/2"	1-1/16"	1-1/2"	3/4"
TR150	277V	150W	25A	6 lbs.	8"	3-3/32"	4-3/32"	5-1/2"	4-1/8"	1-1/8"	1-5/16"	15/16"
TR300	277V	300W	25A	7.13 lbs.	8"	3-3/32"	4-3/32"	5-1/2"	4-1/8"	1-1/8"	1-5/16"	15/16"
TR600	277V	600W	25A	14.9 lbs.	9-13/32"	4-3/32"	4-19/32"	5-3/4"	4-5/8"	1-1/16"	1-1/2"	1-1/4"

B-K LIGHTING

MADE IN THE USA

559.438.5800 | INFO@BKLIGHTING.COM | BKLIGHTING.COM

TR SERIES (MAGNETIC TRANSFORMER)

DATE:	PROJECT:	TYPE:
-------	----------	-------

ACCESSORIES (Configure separately)

SPECIFICATIONS

ELECTRICAL	TRANSFORMER	Fully encapsulated, Class B insulated, low voltage magnetic transformer. 120VAC or 277VAC input. 12VAC output (fully loaded), 0.6A (120VAC) or 0.3A (277VAC) maximum no load input current. Manual thermal reset. Secondary circuit breaker. Enclosure temperature <65° C when fully loaded (in 40° C ambient). For LED sourced products, do not exceed more than 80% of the maximum load of the transformer.
	OUTPUT WIRING	See B-K Lighting Low Voltage Design Guide on reverse.
PHYSICAL	HOUSING	Stainless steel, NEMA Outdoor 3R rated enclosure. [2] (TR60) or [3] (TR150-600) bottom entry 7/8" knockouts provide access to wiring compartment. Riveted, hinged cover opens vertically from bottom to top for service access.
	WARRANTY	Limited five year warranty.
	CERTIFICATION & LISTINGS	Nema Type 3R Enclosure. Suitable for indoor and outdoor use. UL Listed to ANSI/UL Standard 1838.



B-K LIGHTING

MADE IN THE USA

559.438.5800 | INFO@BKLIGHTING.COM | BKLIGHTING.COM