

DATE: _____ PROJECT: _____ TYPE: _____

CATALOG NUMBER LOGIC:



CATALOG NUMBER LOGIC

Example: BC12 - BZW

MATERIAL

Aluminum

SERIES

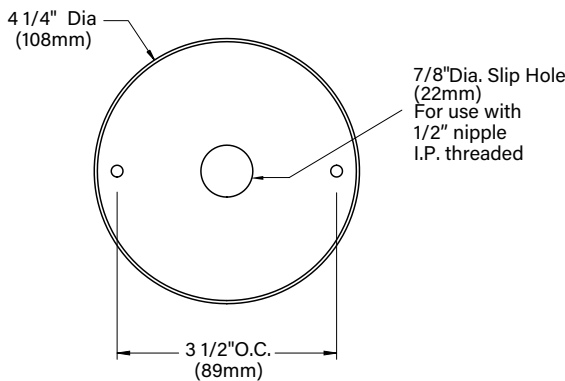
BC12 - Machined Canopy

FINISH (See below for full-color swatches)

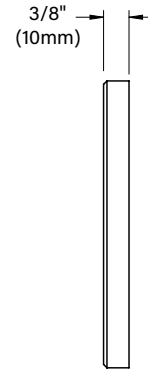
Standard Finishes (BZP, BZW, BLP, BLW, WHP, WHW, SAP, VER)

Premium Finish (ABP, AMG, AQW, BCM, BGE, BPP, CAP, CMG, CRM, HUG, NBP, OCP, RMG, SDS, SMG, TFX, WCP, WIR)

Also available in RAL Finishes.



FRONT VIEW

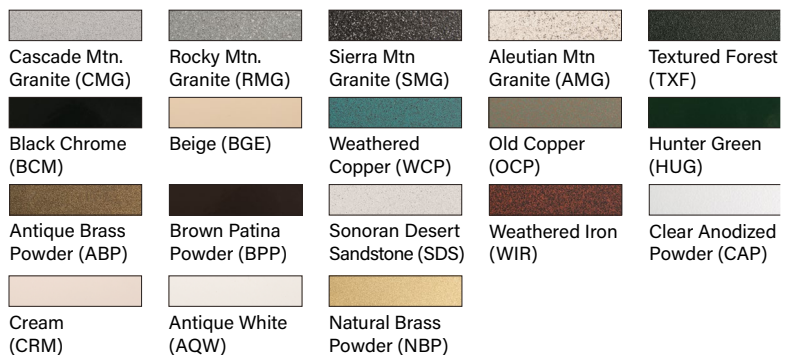


SIDE VIEW

STANDARD FINISHES



PREMIUM FINISHES



[Click Here](#) to view larger, full-color swatches of all available finishes on our website.

DATE:	PROJECT:	TYPE:
-------	----------	-------

ACCESSORIES (Configure separately)

SPECIFICATIONS

PHYSICAL	MATERIALS	Furnished in copper-free aluminum (6061-T6).
	CANOPY	4-1/4" round canopy. Machined from solid billet with chamfered edge. 7/8" dia. slip hole for use with 1/2" I.P. threaded nipple. Two (2) holes for #10 mounting screws.
	INSTALLATION	For use with MB3 surface mounting box (specify separately).
	FINISH	StarGuard, our 15-stage chromate-free process cleans and conversion coats aluminum components prior to application of Class 'A' TGIC polyester powder coating and is RoHS compliant.
	WARRANTY	5-year limited warranty.
	CERTIFICATION & LISTING	Suitable for indoor or outdoor use. RoHS Compliant. Made in USA with sustainable processes.

