

DATE: PROJECT: TYPE:

CATALOG NUMBER LOGIC:



**Designed for use with LED transformer. Requires magnetic low voltage dimmer.*

***The 360SL cost is already included in the price of UPM, UPM dual, and Power Canopy.*

CATALOG NUMBER LOGIC

Example: B - MN - LED - e68 - SP - WHP - 12 - 11 - A - 360SL

MATERIAL

(Blank) - Aluminum B - Brass

SERIES

MN - Micro Nite Star

SOURCE

LED - with Integral Dimming Driver (25W min. load when dimmed)*

LED TYPE

e67 - 7W LED/2700K e82 - 7W/2700K 90 CRI

e68 - 7W LED/3000K e83 - 7W/3000K 90 CRI

e69 - 7W LED/4000K e84 - 7W/3500K 80 CRI

e75 - 7W LED/Amber

OPTICS

SP - Spot (17°) MFL - Medium Flood (25°) FL - Flood (30°)

FINISH (See page 2 for full-color swatches)

Standard Finishes (BZP, BZW, BLP, BLW, WHP, WHW, SAP, VER)

Premium Finish (ABP, AMG, AQW, BCM, BGE, BPP, CAP, CMG, CRM, HUG, NBP, OCP, RMG, SDS, SMG, TXF, WCP, WIR)

Also available in RAL Finishes

Brass Finishes (MAC, POL, MIT)

LENS TYPE

12 - Soft Focus 13 - Rectilinear

SHIELDING

11 - Honeycomb Baffle

CAP STYLE

A - 45°

B - 90°

C - Flush Lens

D - 45° Less Weephole (Interior use only)

E - 90° Less Weephole (Interior use only)

OPTIONS

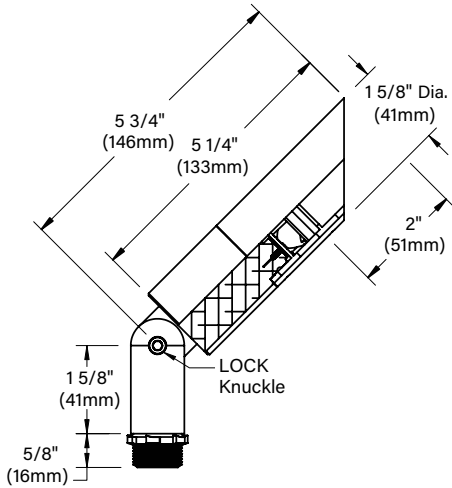
360SL - Knuckle Mounting System**

MOD OPTIONS

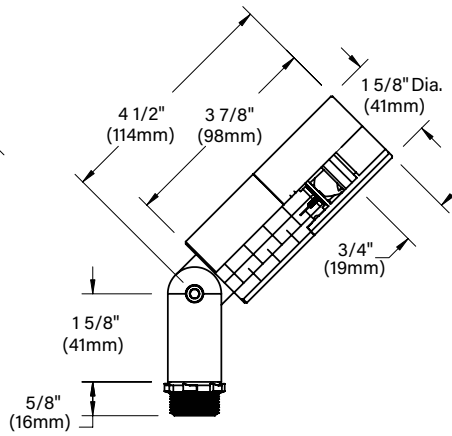
5 - 5 Ft Leads

25 - 25 Ft Leads

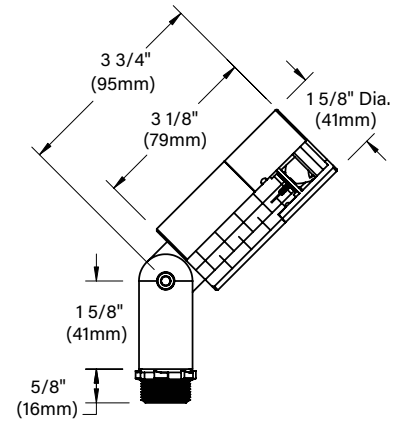
DATE: _____ PROJECT: _____ TYPE: _____



"A/D" CAP



"B/E" CAP

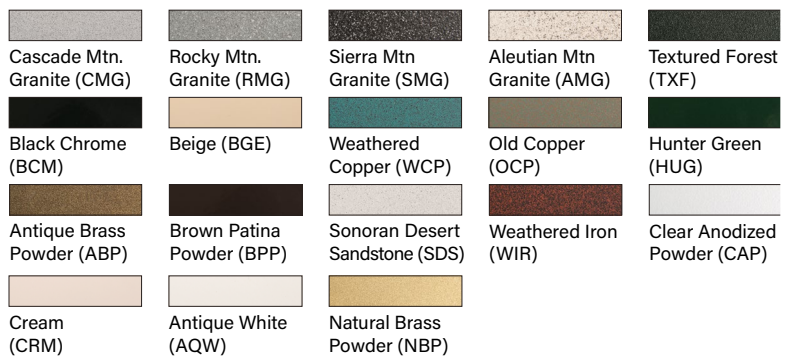


"C" CAP

STANDARD FINISHES



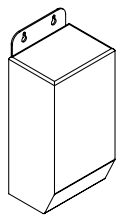
PREMIUM FINISHES



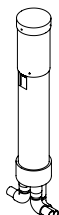
[Click Here](#) to view larger, full-color swatches of all available finishes on our website.

DATE: _____ PROJECT: _____ TYPE: _____

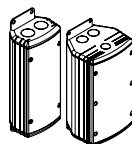
ACCESSORIES (Configure separately)



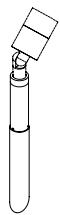
TR Series



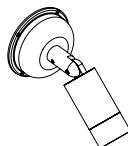
Power Pipe



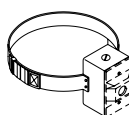
UPMRM



Power Pipe



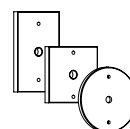
Power Canopy



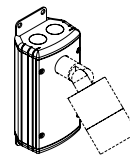
Tree Strap



Stems



Canopies



UPM

SPECIFICATIONS

<p>ELECTRICAL</p>	<p>WATTAGE WIRING REMOTE TRANSFORMER</p>	<p>7W LED XLPE, 18GA,150C, 600V, rated and certified to UL3321. For use with 12VAC remote transformer or magnetic transformers only. B-K Lighting cannot guarantee performance with third party manufacturers' transformers.</p>
<p>PHYSICAL</p>	<p>MATERIALS BODY KNUCKLE CAP LENS LED DIMMING OPTICS HARDWARE FINISH WARRANTY CERTIFICATION & LISTING</p>	<p>Furnished in copper-free aluminum (6061-T6) or brass (360). Unibody design with enclosed, water-proof wireway and integral heat sink is fully machined from solid billet. LOCK Knuckle is integral to the body and features an interior taper machined from solid billet and a second, reverse angle taper allowing full 180° vertical adjustment without the use of aim-limiting serrated teeth. High temperature, silicone 'O' Ring provides water-tight seal and compressive resistance to maintain fixture position. Design withstands 73 lbs. static load prior to movement for optical alignment with a 1/2" pipe thread for mounting. Optional 360SL provides biaxial source control with 360° horizontal rotation in addition to vertical adjustment. Fully machined and accommodates two (2) lens or louver media. Shock-resistant, tempered glass lens is factory adhered to fixture cap and provides hermetically sealed optical compartment. Integrated solid state system and modular design with electrical disconnects allow for easy field upgrade and maintenance. High power, forward throw source complies with ANSI C78.377 binning requirements and exceeds ENERGY STAR® lumen maintenance requirements. LM-80 certified components. Integral, constant current driver. 12VAC/VDC input. 50/60Hz. Proprietary input control scheme achieves power factor correction and eliminates inrush current (limited to <250mA non-dimming). Output, overvoltage, open-circuit, and short circuit protected. Conforms to Safety Std. C22.2 No. 250.13-12. Line voltage dimmable via magnetic low voltage dimmer with dedicated neutral conductor. Remote magnetic transformer with LED loads should be loaded to 25% of the transformer VA (watts) rated value. Interchangeable OPTIKIT modules permit optical field changes. Color-code: Narrow Spot (NSP) = red; Spot (SP) = green; Medium Flood (MFL) = yellow; Wide Flood (WFL) = blue. Tamper-resistant, stainless steel hardware. LOCK aiming screw is black oxide treated for additional corrosion resistance. StarGuard, our 15-stage chromate-free process cleans and conversion coats aluminum components prior to application of Class 'A' TGIC polyester powder coating and is RoHS compliant. Powder coat or metal finish options available for brass material. 5-year limited warranty. ITL tested to IESNA LM-79. UL Listed. Certified to CAN/CSA/ANSI Standards. RoHS compliant. Suitable for indoor or outdoor use, in wet locations, and for installation within 4' of the ground. IP66 Rated. Made in the USA with sustainable processes.</p>



LAMP & DRIVER DATA (e67, e68, e69, e75)

DATE:

PROJECT:

TYPE:

DRIVER DATA	Input Volts	InRush Current	Operating	Dimmable	Operation Ambient Temperature
	12VAC/DC 50/60Hz	<250mA (non-dimmed)	500mA	Magnetic Low Voltage Dimmer	-22°F-194°F (-30°C - 90°C)

LM79 DATA

L70 DATA

OPTICAL DATA

BK No.	CCT (Typ.)	CRI (Typ.)	Input Watts (Typ.)	Minimum Rated Life (hrs.) 70% of initial lumens (L ₇₀)	Angle	CBCP	Delivered Lumens
e67	2700K	80	7	50,000	17°	3632	459
	2700K	80	7	50,000	25°	1708	435
	2700K	80	7	50,000	30°	1337	438
e68	3000K	80	7	50,000	17°	3871	489
	3000K	80	7	50,000	25°	1821	464
	3000K	80	7	50,000	30°	1425	467
e69	4000K	80	7	50,000	17°	3991	504
	4000K	80	7	50,000	25°	1877	478
	4000K	80	7	50,000	30°	1469	481
e75	Amber (590nm)	~	7	50,000	~	~	~

OPTICS

Optic	Angle
SP - Spot	17°
MFL - Medium Flood	25°
FL - Flood	30°

B-K LIGHTING

MADE IN THE USA

559.438.5800 | INFO@BKLIGHTING.COM | BKLIGHTING.COM

THIS DOCUMENT CONTAINS PROPRIETARY INFORMATION OF B-K LIGHTING, INC. AND ITS RECEIPT OR POSSESSION DOES NOT CONVEY ANY RIGHTS TO REPRODUCE, DISCLOSE ITS CONTENTS, OR TO MANUFACTURE, USE OR SELL ANYTHING IT MAY DESCRIBE. REPRODUCTION, DISCLOSURE OR USE WITHOUT SPECIFIC WRITTEN AUTHORIZATION OF B-K LIGHTING, INC. IS STRICTLY FORBIDDEN.