

DATE: _____ PROJECT: _____ TYPE: _____

CATALOG NUMBER LOGIC:



**Designed for use with LED transformer. Requires magnetic low voltage dimmer.*

***Please see Adjust-e-Lume photometry to determine desired intensity.*

CATALOG NUMBER LOGIC

Example: RM - 25 - AR - LED - e64 - NSP - A7 - SAP - 12 - 11 - D

MATERIAL

(Blank) - Aluminum B - Brass S - Stainless Steel

SERIES

RM - Ring Mount

LEAD LENGTH

5 - 5 Ft. of Lamp Leads and Cable

25 - 25 Ft. of Lamp Leads and Cable

FIXTURE

AR - ArtiStar

SOURCE

LED - with Integral Dimming Driver (25W min. load when dimmed)*

LED TYPE

e64 - 7W LED/2700K e79 - 7W LED/2700K 90CRI

e65 - 7W LED/3000K e80 - 7W LED/3000K 90CRI

e66 - 7W LED/4000K e81 - 7W LED/3500K 80CRI

e74 - 7W LED/Amber

OPTICS

NSP - Narrow Spot (13°) MFL - Medium Flood (23°)

SP - Spot (16°) WFL - Wide Flood (31°)

ADJUST-E-LUME OUTPUT INTENSITY**

A9 (Standard), A8, A7, A6, A5, A4, A3, A2, A1

FINISH (See page 2 for full-color swatches)

Standard Finishes (BZP, BZW, BLP, BLW, WHP, WHW, SAP, VER)

Premium Finish (ABP, AMG, AQW, BCM, BGE, BPP, CAP, CMG, CRM, HUG, NBP, OCP, RMG, SDS, SMG, TXF, WCP, WIR)

Also available in RAL Finishes

Brass Finishes (MAC, POL, MIT)

Stainless Steel Finishes (MAC, POL)

LENS TYPE

12 - Soft Focus 13 - Rectilinear

SHIELDING

11 - Honeycomb Baffle

CAP STYLE

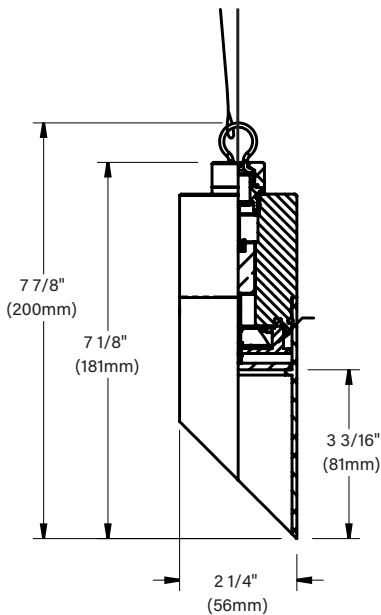
C - Flush

D - 45° Less Weephole

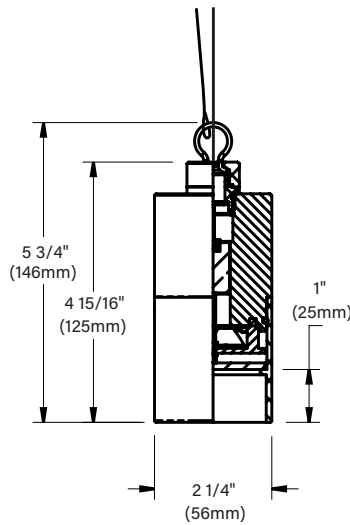
E - 90° Less Weephole

DATE: _____ PROJECT: _____ TYPE: _____

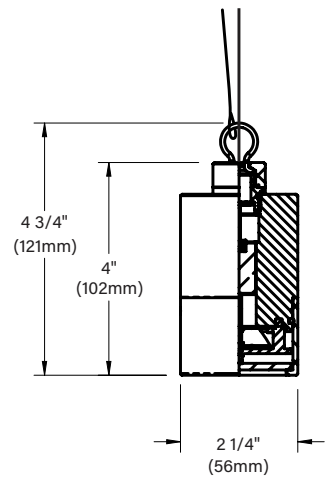
"D" CAP



"E" CAP



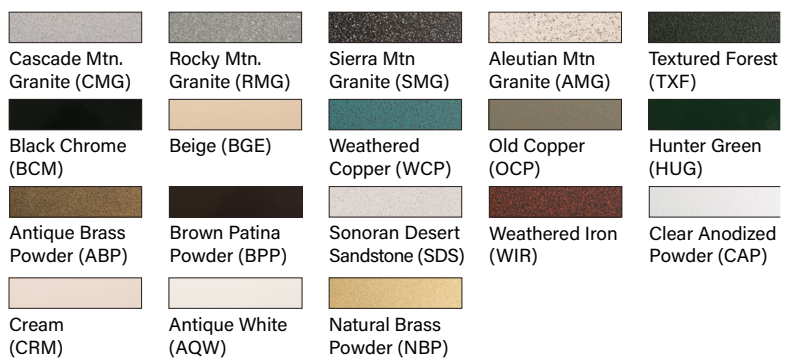
"C" CAP



STANDARD FINISHES



PREMIUM FINISHES

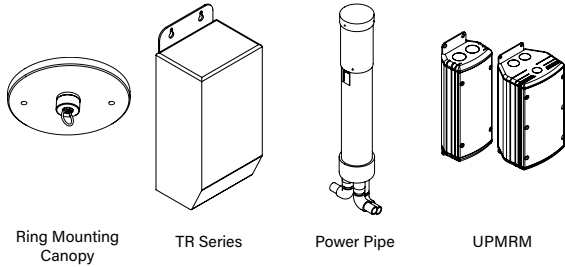


[Click Here](#) to view larger, full-color swatches of all available finishes on our website.

DATE: _____ PROJECT: _____ TYPE: _____

ACCESSORIES (Configure separately)

Drivers (Configure separately)



SPECIFICATIONS

<p>ELECTRICAL</p>	<p>WATTAGE ADJUST-E-LUME WIRING REMOTE TRANSFORMER</p>	<p>7W LED Integral electronics allows dynamic lumen response at the individual fixture. Indexed (100% to 25% nom.) lumen output. Maintains output at desired level or may be changed as conditions require. Specify factory preset output intensity. Outdoor rated, 18Ga., 30V, 60°C rated and certified to UL 1838 standard. Anti-Siphon Valve (ASV™) prevents “wicking” through conductor insulation. For use with 12VAC remote transformer or magnetic transformers only. B-K Lighting cannot guarantee performance with third party manufacturers’ transformers.</p>
<p>PHYSICAL</p>	<p>MATERIALS BODY MOUNTING CAP LENS LED DIMMING OPTICS HARDWARE FINISH WARRANTY CERTIFICATION & LISTING</p>	<p>Furnished in copper-free aluminum (6061-T6), brass (360) or stainless steel (304). Unibody design is fully machined from solid billet and provides enclosed, water-proof wireway and integral heat sink for maximum component life. High temperature, silicone ‘O’ Ring provides water-tight seal. Ring 3/4” O.D. black oxide stainless steel mounting ring allows for cable or hook mounting. Machined aluminum endcap in black anodize finish for maximum corrosion resistance provides water tight enclosure with fully potted antiwicking LED connectors. 5’ or 25’ 18Ga., 2 wire low voltage cable from fixture body to facilitate external wire splice. Fixture is suspended by 1/32” strand stainless steel safety cable with oval sleeve. Fully machined and accommodates two (2) lens or louver media. Shock-resistant, tempered glass lens is factory adhered to fixture cap and provides hermetically sealed optical compartment. Integrated solid state system. High power, forward throw source complies with ANSI C78.377 binning requirements and exceeds ENERGY STAR® lumen maintenance requirements. LM-80 certified components. Integral dimming driver. Minimum 50,000 hour rated life at 70% of initial lumens (L70). LED® technology provides long life, significant energy reduction and exceptional thermal management. Line voltage dimmable via magnetic low voltage dimmer. For use with low voltage dimmer with dedicated neutral conductor. For purposes of dimming: Remote magnetic transformer with LED® Power of ‘e’ technology loads should be loaded to 25% of the transformer VA (watts) rated value. Interchangeable, color-coded OPTIKIT modules permit field changes to optical distribution. Tamper-resistant, stainless steel hardware. StarGuard, our 15-stage chromate-free process cleans and conversion coats aluminum components prior to application of Class ‘A’ TGIC polyester powder coating and is RoHS compliant. Powder coat or metal finish options available for brass material and metal finish option only for stainless steel material. 5-year limited warranty. ITL tested to IESNA LM-79. UL Listed. Certified to CAN/CSA/ANSI Standards. RoHS compliant. Suitable for indoor or outdoor use and in wet locations. IP66 Rated. Made in the USA with sustainable processes.</p>



LAMP & DRIVER DATA (e64, e65, e66, e74)

DATE:

PROJECT:

TYPE:

CATALOG NUMBER LOGIC:

DRIVER DATA	Input Volts	InRush Current	Operating	Dimmable	Operation Ambient Temperature
	12VAC/DC 50/60Hz	<250mA (non-dimmed)	700mA	Magnetic Low Voltage Dimmer	-22°F-194°F (-30°C - 90°C)

LM79 DATA

BK No.	CCT (Typ.)	CRI (Typ.)	Input Watts (Typ.)
e64	2700K	80	7
	2700K	80	7
	2700K	80	7
	2700K	80	7
e65	3000K	80	7
	3000K	80	7
	3000K	80	7
	3000K	80	7
e66	4000K	80	7
	4000K	80	7
	4000K	80	7
	4000K	80	7
e74	Amber	80	7
	Amber	80	7
	Amber	80	7
	Amber	80	7

L70 DATA

Minimum Rated Life (hrs.) 70% of initial lumens (L ₇₀)
50,000
50,000
50,000
50,000
50,000
50,000
50,000
50,000
50,000
50,000
50,000
50,000
50,000
50,000

OPTICAL DATA

Angle	CBCP	Delivered Lumens	Multiplier
13°	5993	456	0.87
16°	4546	445	0.87
23°	1726	397	0.87
31°	1131	399	0.87
13°	6131	466	0.89
16°	4650	455	0.89
23	1766	406	0.89
31°	1157	409	0.89
13°	6889	524	
16°	5225	511	
23°	1984	456	
31°	1300	459	
13°	3,927	299	0.57
16°	2,978	291	0.57
23°	1,131	260	0.57
31°	741	262	0.57

OPTICS

Optic	Angle
NSP - Narrow Spot	13°
SP - Spot	16°
MFL - Medium Flood	23°
WFL - Wide Flood	31°

B-K LIGHTING

MADE IN THE USA

559.438.5800 | INFO@BKLIGHTING.COM | BKLIGHTING.COM

THIS DOCUMENT CONTAINS PROPRIETARY INFORMATION OF B-K LIGHTING, INC. AND ITS RECEIPT OR POSSESSION DOES NOT CONVEY ANY RIGHTS TO REPRODUCE, DISCLOSE ITS CONTENTS, OR TO MANUFACTURE, USE OR SELL ANYTHING IT MAY DESCRIBE. REPRODUCTION, DISCLOSURE OR USE WITHOUT SPECIFIC WRITTEN AUTHORIZATION OF B-K LIGHTING, INC. IS STRICTLY FORBIDDEN.