

DATE:	PROJECT:	TYPE:
-------	----------	-------

CATALOG NUMBER LOGIC:

**CATALOG NUMBER LOGIC**

Example: TMB - D20INC - BZW - MT

MATERIAL

Aluminum

SERIES

TMB - Tenon Mount Box

DRIVER TYPE*

D12INC - 12W Dimming Driver

D20INC - 20W Dimming Driver

D27INC - 27W Dimming Driver

FINISH

Standard Finishes (BZP, BZW, BLP, BLW, WHP, WHW, SAP, VER)

Premium Finish (ABP, AMG, AQW, BCM, BGE, BPP, CAP, CMG, CRM, HUG, NBP, OCP, RMG, SDS, SMG, TXF, WCP, WIR)

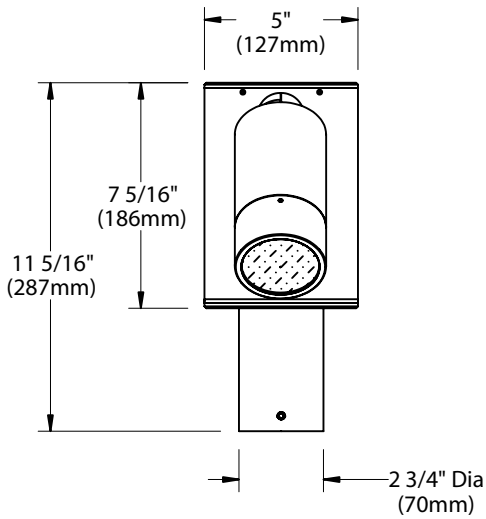
(Also available in RAL Finishes. See submittal SUB-1439-00)

INPUT VOLTAGE

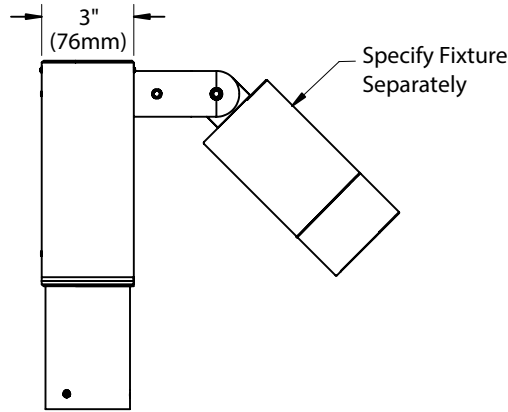
MT - 120-277 VAC

**For use with incandescent dimmer. 120V only for dimming. Driver wattage must match fixture wattage.*

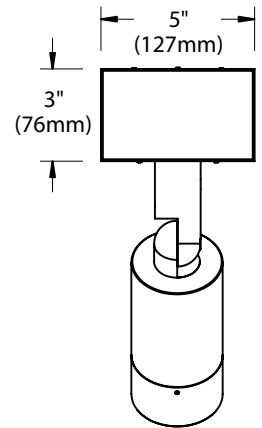
DATE: _____ PROJECT: _____ TYPE: _____



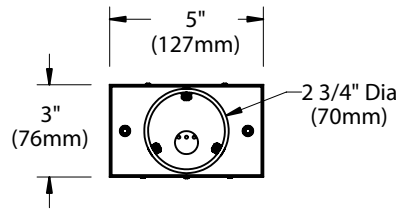
FRONT VIEW



SIDE VIEW



TOP VIEW

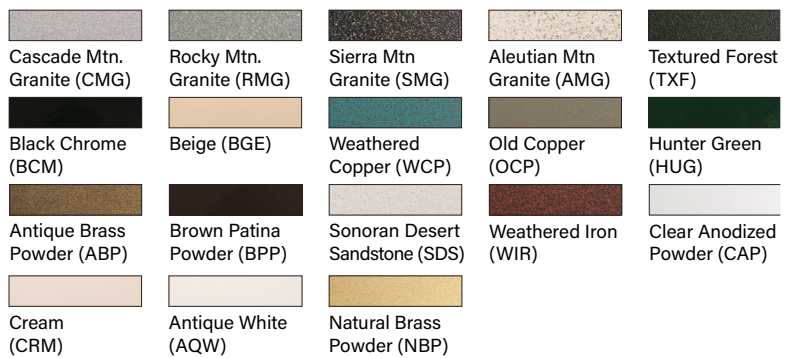


BOTTOM VIEW

STANDARD FINISHES



PREMIUM FINISHES



[Click Here](#) to view larger, full-color swatches of all available finishes on our website.

DATE:	PROJECT:	TYPE:
-------	----------	-------

ACCESSORIES (Configure separately)

SPECIFICATIONS

Electrical	WIRING / CONNECTORS	Teflon® coated wire, 18 gauge, 600V, 250° C rated and certified to UL 1659 standard. Pre-wired and labeled terminal strip.
	DRIVER (12-27W)	One (1) 700mA, Class A, constant current driver. 120-277VAC (nominal) primary input voltage. 50/60Hz. >0.94 Power Factor, 6A in-rush current, 0.25A input current, <20%THD (nominal at 120VAC full load). Output over-voltage, over-current, and short circuit protection with auto recovery. EMC: FCC47CFR Part 15 Class B compliant. Dimming driver for use with standard incandescent dimmers. 10-100% range.
PHYSICAL	MATERIALS	Furnished in copper-free aluminum (6061-T6).
	INSTALLATION	For mounting to 2" IPS (2-3/8" O.D.) Tenon. Removeable bottom with Neoprene gasket. 2-1/2" I.D. slip fitter. Accepts 360SL and 360HD adjustable mounting systems, allows rotational adjustment with 'O' Ring seal and tamper-resistant design.
	FINISH	StarGuard, our 15-stage, chromate-free process cleans and conversion coats aluminum components prior to application of Class 'A' TGIC polyester powder coating and is RoHS compliant.
	WARRANTY	5-year limited warranty.
	CERTIFICATION & LISTING	Certified to CAN/CSA/ANSI standards. UL Listed. RoHS compliant. Made in USA with sustainable processes.

