

DATE:	PROJECT:	TYPE:
-------	----------	-------

CATALOG NUMBER LOGIC:



CATALOG NUMBER LOGIC

Example: RB - 18 - RE1 - BLP - PP

MATERIAL

Aluminum

SERIES

RB - Receptacle Bollard

OVERALL HEIGHT

18 - 18"

21 - 21"

RECEPTACLE

RE1 - GFCI Receptacle 20A

RE2 - Receptacle w/ 1 USB-A and 1 USB-C Port

RE3 - Receptacle w/ RJ45 Jack

FINISH (See page 3 for full-color swatches)

Standard Finishes (BZP, BZW, BLP, BLW, WHP, WHW, SAP, VER)

Premium Finish (ABP, AMG, AQW, BCM, BGE, BPP, CAP, CMG, CRM, HUG, NBP, OCP, RMG, SDS, SMG, TXF, WCP, WIR)

(Also available in RAL Finishes. See submittal SUB-1439-00)

MOUNTING

(Blank) - Standard Anchor Base Mounting

PP - 18" Junction Power Pipe with Anchor Base

SF - Stability Flange (For use with Power Pipe)

OPTIONS

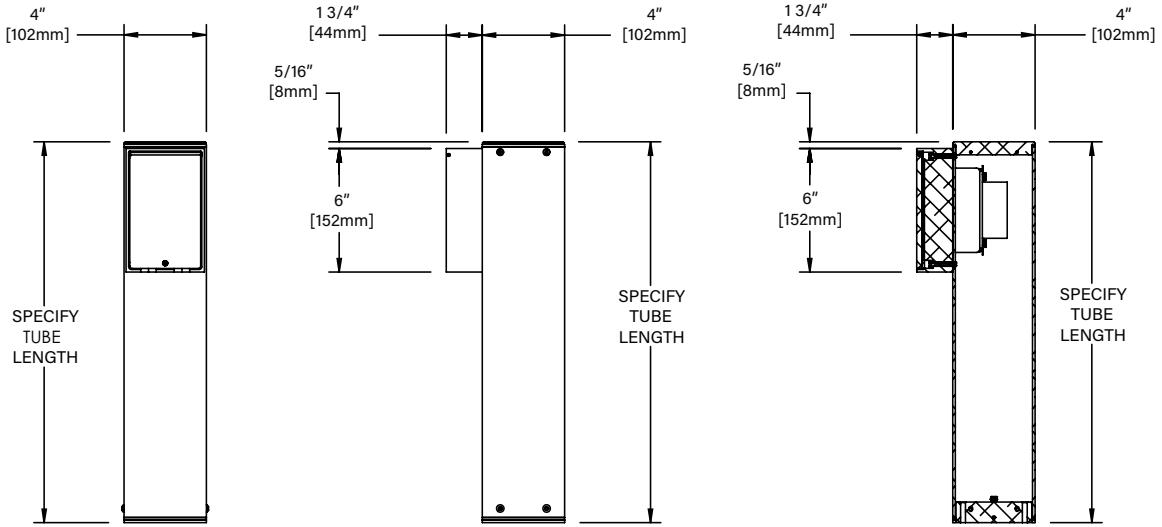
PL - Pad Lock Cover

DATE:

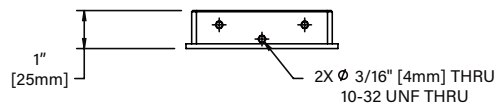
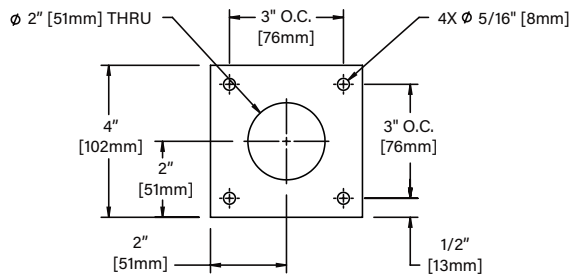
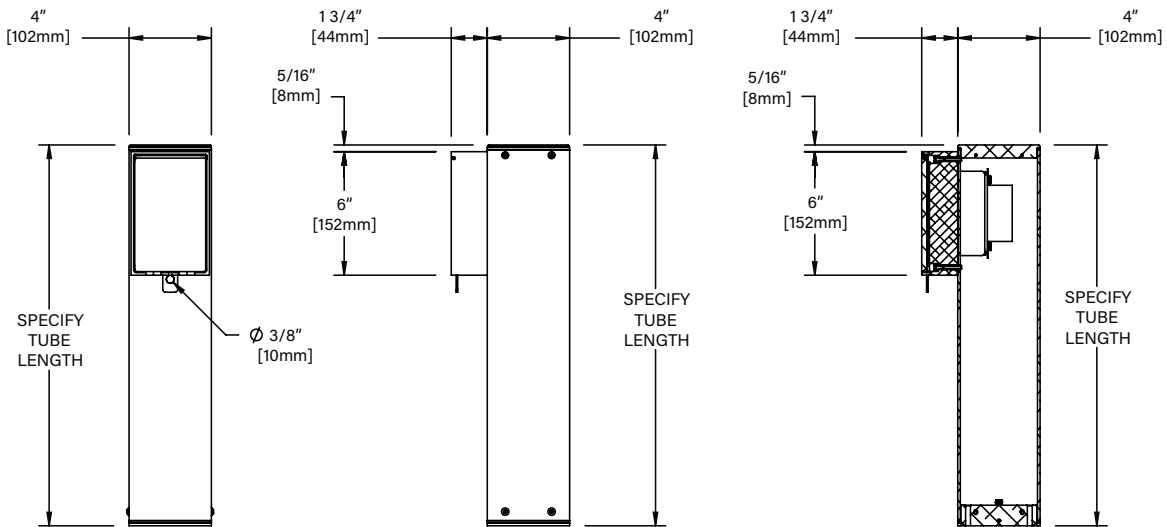
PROJECT:

TYPE:

RB-STANDARD



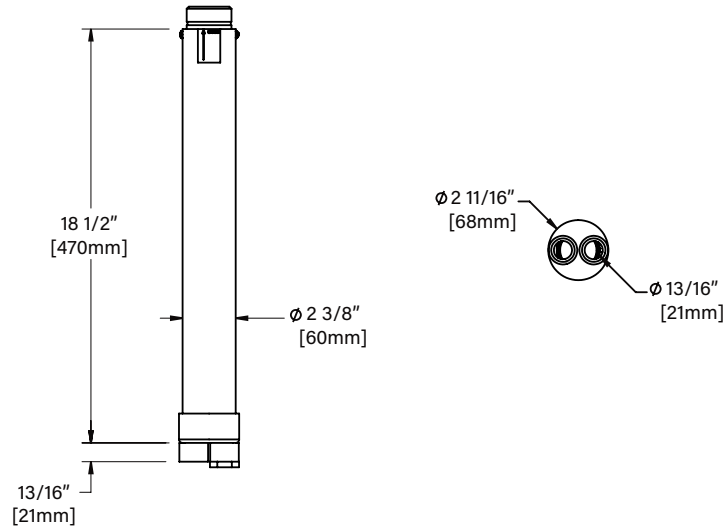
RB-PADLOCK



RECEPTACLE BOLLARD

IP66 RATED

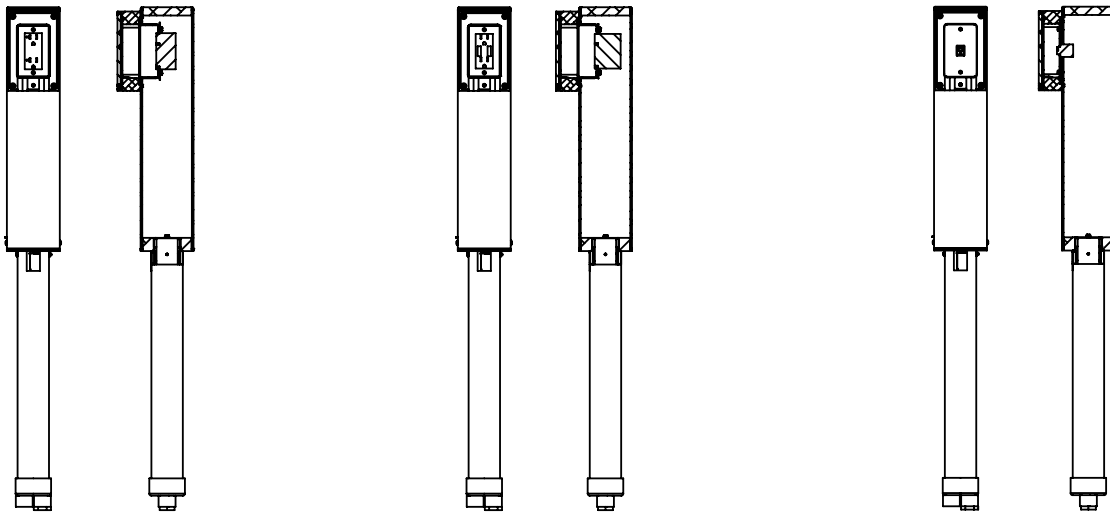
DATE: _____ PROJECT: _____ TYPE: _____



RE1 - RECEPTACLE 20A

RE2 - RECEPTACLE w/USB

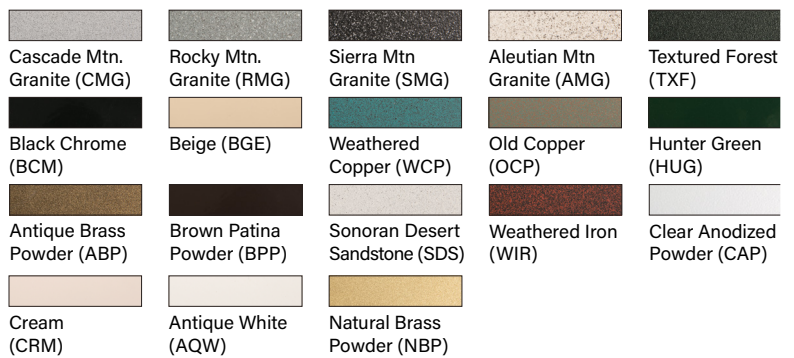
RE3 - RECEPTACLE w/RJ45



STANDARD FINISHES



PREMIUM FINISHES



[Click Here](#) to view larger, full-color swatches of all available finishes on our website.

B-K LIGHTING

MADE IN THE USA

559.438.5800 | INFO@BKLIGHTING.COM | BKLIGHTING.COM

DATE:	PROJECT:	TYPE:
-------	----------	-------

ACCESSORIES (Configure separately)

SPECIFICATIONS

ELECTRICAL	WIRING	12GA, Solid Copper Wire, PVC Coated, 90C, 600V.
PHYSICAL	MATERIALS HOUSING IN-USE COVER RE1 - GFCI RECEPTACLE 20A RE2 - RECEPTACLE W/ 1 USB-A AND 1 USB-C PORT RE3 - RECEPTACLE W/ RJ45 JACK PL - PAD LOCK COVER INSTALLATION HARDWARE FINISH WARRANTY CERTIFICATION & LISTING	Furnished in copper-free aluminum (6061-T6). 4X4X1/8" wall extruded copper-free aluminum (6061-T6) Furnished in copper-free aluminum (6061-T6). Tamper Weather Resistant GFCI Receptacle; 125 V; 20 A; White; 5-20R Combination Ports, One Type A, One Type C, Weather and Tamper Resistant 15A/125V Duplex, 5 Amp, 5Volts USB Ports. Receptacle with RJ45 Jack. Punch down tool required (by others). Cover with padlock bracket to be used with 3/8" shackle padlock. (padlock by others) 4X4 square aluminum, black anodized base or the 4X4 base with PP option (18" PP-J w/ 3/4" fittings). Tamper-resistant, stainless steel hardware. StarGuard, our 15-stage, chromate-free recess cleans and conversion coats aluminum components prior to application of Class 'A' TGIC polyester powder coating and is RoHS compliant. Brass components are available in powder coat or handcrafted metal finish. Stainless steel components only available in handcrafted metal finish. 5-year limited warranty. Certified to CAN/CSA/ANSI standards. UL Listed. Suitable for indoor and outdoor use, in wet locations, and within 4' of the ground. IP66 Rated. RoHS compliant. Made in USA with sustainable processes.

