

DATE:

PROJECT:

TYPE:

CATALOG NUMBER LOGIC:



*Accommodates up to 2 lens/shielding media.

**For use with incandescent dimmer. 120V only for dimming.

CATALOG NUMBER LOGIC

Example: CK - LED - x58 - SP - BZW - 9 - 11 - A - PM2 - CT - D12INC - MT - MB

MATERIAL

Aluminum

SERIES

CK - Catskill

SOURCE

LED - Chip on Board Technology

LED TYPE

x58 - 12W LED/2700K x61 - 20W LED/2700K x64 - 27W LED/2700K

x59 - 12W LED/3000K x62 - 20W LED/3000K x65 - 27W LED/3000K

x60 - 12W LED/4000K x63 - 20W LED/4000K x66 - 27W LED/3000K

OPTICS

SP - Spot (15°) FL - Flood (35°) WFL - Wide Flood (60°)

FINISH (See page 2 for full-color swatches)

Standard Finishes (BZP, BZW, BLP, BLW, WHP, WHW, SAP, VER)

Premium Finish (ABP, AMG, AQW, BCM, BGE, BPP, CAP, CMG, CRM, HUG, NBP, OCP, RMG, SDS, SMG, TXF, WCP, WIR)

Also available in RAL Finishes

LENS TYPE*

9 - Clear (Standard) 10 - Spread 12 - Soft Focus 13 - Rectilinear

SHIELDING*

11 - Honeycomb Baffle

CAP STYLE

A - 45°

B - 90°

C - Flush Lens

D - 45° Less Weephole

E - 90° Less Weephole

DRIVER HOUSING

PM2 - Universal Power Module 2

MOUNTING

SM - Surface Mount (Requires side conduit entry)

CR - Round Camlock Canopy (Recessed junction box)

CT - Rectangular Camlock Canopy (Recessed junction box)

DRIVER TYPE

D12INC - 12W Dimming Driver**

D20INC - 20W Dimming Driver**

D27INC - 27W Dimming Driver**

INPUT VOLTAGE

MT - 120/208/240/277 Volt Multi Tap

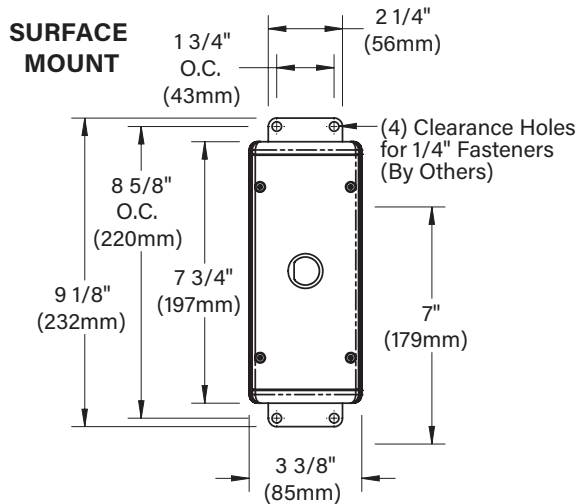
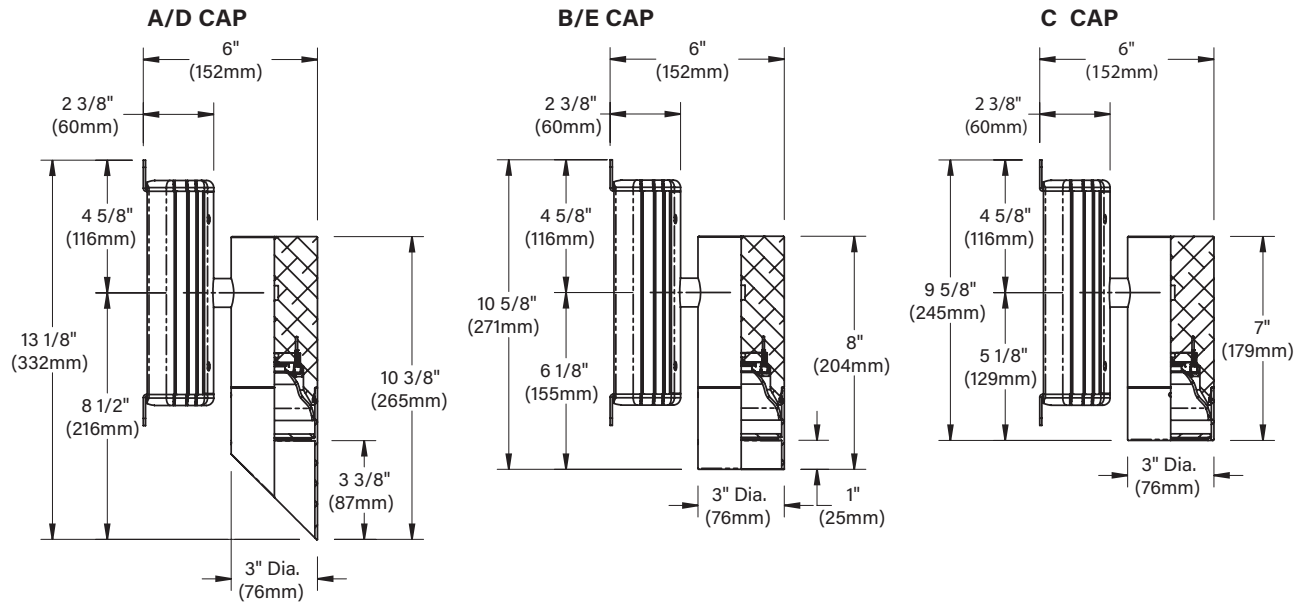
OPTION

MB - Mounting Brackets (Optional for Camlock CR or CT Mount)

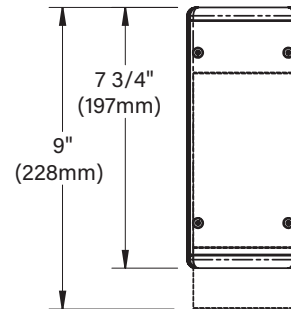
DATE:

PROJECT:

TYPE:



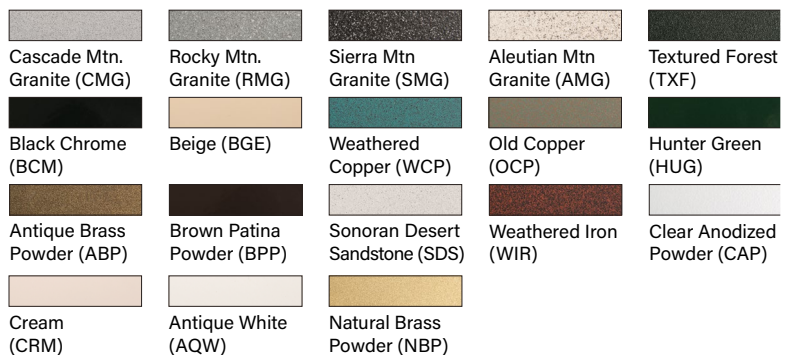
CAMLOCK™ MOUNT



STANDARD FINISHES



PREMIUM FINISHES






[Click Here](#) to view larger, full-color swatches of all available finishes on our website.

DATE:	PROJECT:	TYPE:
-------	----------	-------

ACCESSORIES (Configure separately)

Drivers (Configure separately)

SPECIFICATIONS

ELECTRICAL	WATTAGE	12W,20W, or 27W
	WIRING DRIVER (12-27W)	Teflon® coated, 18AWG, 600V, 250° C rated and certified to UL 1659 standard. For use with [1] 700mA, (D12, D20, D27), Class A, constant current driver. 120-277VAC (nominal) primary input voltage. 50/60Hz. >0.94 Power Factor, 10.0A in-rush current, 0.25A input current, .5%THD (nominal at 120VAC full load). Output over-voltage, over-current, and short circuit protection with auto recovery. EMC: FCC47CFR Part 15 Class B compliant. Driver Wattage must match Fixture Wattage. Dimming driver for use with standard incandescent dimmers. 10-100% range.
PHYSICAL	MATERIALS	Furnished in copper-free aluminum (6061-T6).
	BODY	Unibody design with enclosed, water-proof wireway and integral heat sink is fully machined from solid billet.
	CAP	Fully machined and accommodates two (2) lens or louver media.
	LENS	Shock-resistant, tempered glass lens is factory adhered to fixture cap and provides hermetically sealed optical compartment.
	LED	Integrated solid state system and modular design with electrical disconnects allow for easy field upgrade and maintenance. High power, forward throw source complies with ANSI C78.377 binning requirements and exceeds ENERGY STAR® lumen maintenance requirements. LM-80 certified components. Integral, constant current driver. 12VAC/VDC input. 50/60Hz. Proprietary input control scheme achieves power factor correction and eliminates inrush current (limited to <250mA non-dimming). Output, overvoltage, open-circuit, and short circuit protected. Conforms to Safety Std. C22.2 No. 250.13-12.
	COLOR MANAGEMENT	Corrected cold phosphor technology delivers near-perfect natural white light. Long term phosphor maintenance over product life. Exact color point conformity exceeds ANSI C78.377 standard. Provides uniform beam with no color variation over angle. Module exceeds 80 CRI (RA>80, R9>16).
	OPTICS	Interchangeable OPTIKIT modules permit field changes to optical distribution.
	HARDWARE	Tamper-resistant, stainless steel hardware. Canopy mounting screws are black oxide treated for additional corrosion resistance
	DRIVER HOUSING (PM2) SURFACE MOUNT	For use with side entry, surface conduits. Stainless steel mounting brackets provide for direct anchor to architectural surfaces in any orientation.
	ROUND CAMLOCK CANOPY (RECESSED JUNCTION BOX)	5" diameter, machined aluminum construction. Includes stainless steel universal mounting ring for use with 4" octagonal junction box. Two (2) tamper-resistant, black oxide stainless steel mounting screws. 1/8" thick HT-805A silicone foam gasket for water-tight seal. Integral Camlock provides additional 30° adjustment for precision alignment of UPM regardless of junction box orientation. Integral wiper seal maintains water-tight integrity between UPM and junction box. Optional stainless steel mounting brackets may be specified to provide additional anchor to architectural surface.
RECTANGULAR CAMLOCK CANOPY (RECESSED JUNCTION BOX)	Machined aluminum, 3" x 5" rectangular canopy for use with single gang junction box. Two (2) tamper resistant, black oxide stainless steel mounting screws. 1/8" thick HT-805A silicone foam gasket for watertight seal. Integral Camlock provides additional 30° adjustment for precision alignment of UPM regardless of junction box orientation. Integral wiper seal maintains water-tight integrity between UPM and junction box. Optional stainless steel mounting brackets may be specified to provide additional anchor to architectural surface.	
  	HOUSING	Copper free, aluminum extrusion with die cast end caps. Surface mounted with flow through back channel to prevent water and debris collection. Machined aluminum cover with countersunk holes for flush hardware installation. Tamper-resistant, captive, black oxide stainless steel mounting screws. Front access for ease of installation and inspection. Two (2) 1/2" NPT female conduit entries per end cap for through wiring.

B-K LIGHTING**MADE IN THE USA**

559.438.5800 | INFO@BKLIGHTING.COM | BKLIGHTING.COM

CATSKILL PM2

DATE:

PROJECT:

TYPE:

SPECIFICATIONS

PHYSICAL

INSTALLATION TETHER

Stainless steel cable with integral loop allows cover to temporarily suspend from housing during installation to simplify wire connection and component attachment.

PATENTED KNOCKOUTS

Four (4) 1/2" NPT, machined aluminum knockouts. High temperature, silicone 'O' Ring for water-tight seal. Patented design allows knockout to be reinserted without compromising seal integrity.

FINISH

StarGuard, our 15-stage chromate-free process cleans and conversion coats aluminum components prior to application of Class 'A' TGIC polyester powder coating and is RoHS compliant.

WARRANTY

5-year limited warranty.

CERTIFICATION & LISTING

ITL tested to IESNA LM-79. UL Listed. Certified to CAN/CSA/ANSI Standards. RoHS compliant. Suitable for indoor or outdoor use, in wet locations, and for installation within 4' of the ground. IP66 Rated. Made in the USA with sustainable processes.



B-K LIGHTING

MADE IN THE USA

559.438.5800 | INFO@BKLIGHTING.COM | BKLIGHTING.COM