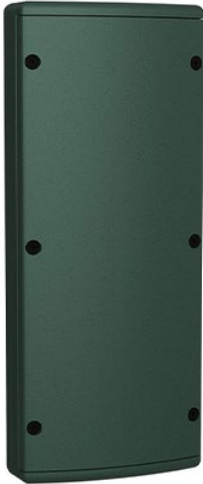


DATE:	PROJECT:	TYPE:
-------	----------	-------

CATALOG NUMBER LOGIC:



**For use with 0-10 dimmer. Driver wattage must match fixture wattage.*

CATALOG NUMBER LOGIC

Example: PM3DRM - TSC-20 - D42 - SAP - MT - MB

MATERIAL

Aluminum

SERIES

PM3DRM - Universal Power Module 3 Dual Remote

MOUNTING

TSC-Length - Tree Strap with Safety Cable (Specify adjustable strap length) 18" Standard Min.

DRIVER TYPE*

D34 - (2) 34W Dimming Drivers (Standard Dimming 1-100%)

D42 - (2) 42W Dimming Drivers (Standard Dimming 1-100%)

D57 - (2) 57W Dimming Drivers (Standard Dimming 1-100%)

D34ARC - (2) 34W Dimming Drivers (Architectural Dimming 0.1-100%)

D42ARC - (2) 42W Dimming Drivers (Architectural Dimming 0.1-100%)

FINISH (See page 2 for full-color swatches)

Standard Finishes (BZP, BZW, BLP, BLW, WHP, WHW, SAP, VER)

Premium Finish (ABP, AMG, AQW, BCM, BGE, BPP, CAP, CMG, CRM, HUG, NBP, OCP, RMG, SDS, SMG, TXF, WCP, WIR)

(Also available in RAL Finishes. See submittal SUB-1439-00)

INPUT VOLTAGE

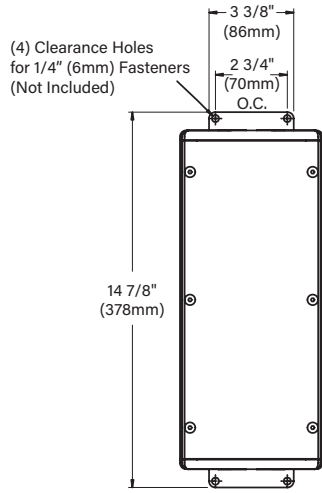
MT - 120-277 VAC

OPTIONS

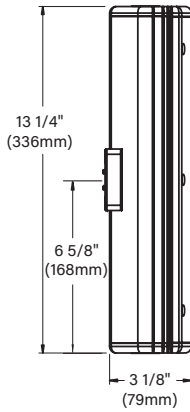
MB - Mounting Brackets

DATE: _____ PROJECT: _____ TYPE: _____

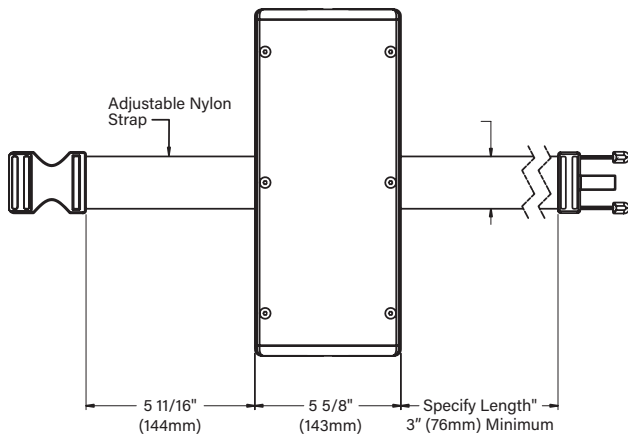
OPTIONAL MOUNTING BRACKET



SIDE VIEW



TOP VIEW



! REMOTE WIRING

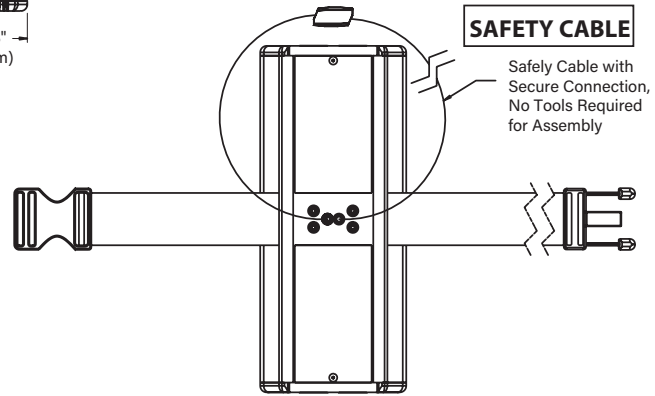
LED Driver

Remote driver installations require inter-connected wiring between the LED and driver (by others). Drivers have specific wiring requirements between these components. Driver manufacturers regularly recommend the following wiring details for such installations:

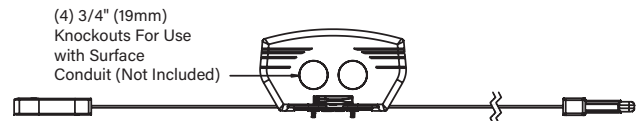
- Do not exceed 50 foot overall wiring distance using 12 gauge copper wire.

Failure to comply with specific wiring requirements will void product warranty.

SAFETY CABLE



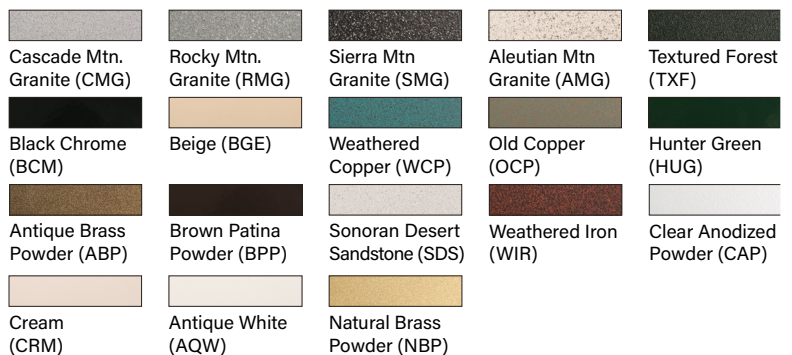
END VIEW



STANDARD FINISHES



PREMIUM FINISHES



[Click Here](#) to view larger, full-color swatches of all available finishes on our website.

DATE:	PROJECT:	TYPE:
-------	----------	-------

ACCESSORIES (Configure separately)

SPECIFICATIONS

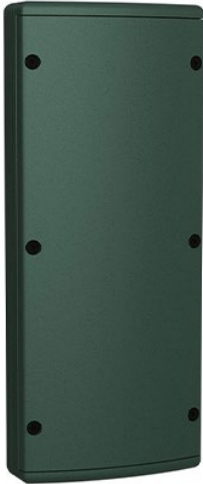
Electrical	DRIVER (34-57W)	Two (2) 1.05A (D34, D42) or 1.4A (D57), Class A, constant current drivers. 120-277VAC (nominal) primary input voltage. 50/60Hz. >0.90 Power Factor, 15.0A in-rush current, <20%THD (nominal at 120VAC full load). Output over-voltage, over-current, and short circuit protection with auto recovery. EMC: FCC47CFR Part 15 Class B compliant. Dimming driver for use with standard 0-10V dimmers and switch controls. Refer to driver electrical data for dimming range.
PHYSICAL	TREE INSTALLATION	Tree Strap mounting system facilitates non-invasive installation. Adjustable nylon strap is mold and mildew resistant and will not hinder tree growth. Stainless steel safety cable maintains UPM mounting when nylon strap is disengaged.
	HOUSING	Copper free, aluminum extrusion with die cast end caps. Surface mounted with flow through back channel to prevent water and debris collection. Machined aluminum cover with countersunk holes for flush hardware installation. Tamper-resistant, captive, black oxide stainless steel mounting screws. Front access for ease of installation and inspection. Two (2) 3/4" NPT female conduit entries per end cap for through wiring.
	INSTALLATION TETHER	Stainless steel cable with integral loop allows cover to temporarily suspend from housing during installation to simplify wire connection and component attachment.
	PATENTED KNOCKOUTS	Four (4) 3/4" NPT, machined aluminum knockouts. High temperature, silicone 'O' Ring for water-tight seal. Patented design allows knockout to be reinserted without compromising seal integrity.
	FINISH	StarGuard, our 15-stage, chromate-free process cleans and conversion coats aluminum components prior to application of Class 'A' TGIC polyester powder coating and is RoHS compliant. Finish to match fixture. (specified separately).
	WARRANTY	5-year limited warranty.
	CERTIFICATION & LISTING	Certified to CAN/CSA/ANSI Standards. UL Listed. NEMA 4X / IP66 Rated Enclosure. RoHs compliant. Made in USA with sustainable processes.



MAMMOTH - PM3DRM REMOTE DRIVER HOUSING (SURFACE MOUNT) ORDER FIXTURES SEPARATELY.

DATE:	PROJECT:	TYPE:
-------	----------	-------

CATALOG NUMBER LOGIC:



CATALOG NUMBER LOGIC

Example: PM3DRM - SM - D42 - SAP - MT

MATERIAL

Aluminum

SERIES

PM3DRM - Universal Power Module 3 Dual Remote

MOUNTING

SM - Surface Mount

DRIVER TYPE*

D34 - (2) 34W Dimming Drivers (Standard Dimming 1-100%)

D42 - (2) 42W Dimming Drivers (Standard Dimming 1-100%)

D57 - (2) 57W Dimming Drivers (Standard Dimming 1-100%)

D34ARC - (2) 34W Dimming Drivers (Architectural Dimming 0.1-100%)

D42ARC - (2) 42W Dimming Drivers (Architectural Dimming 0.1-100%)

FINISH (See page 2 for full-color swatches)

Standard Finishes (BZP, BZW, BLP, BLW, WHP, WHW, SAP, VER)

Premium Finish (ABP, AMG, AQW, BCM, BGE, BPP, CAP, CMG, CRM, HUG, NBP, OCP, RMG, SDS, SMG, TXF, WCP, WIR)

(Also available in RAL Finishes. See submittal SUB-1439-00)

INPUT VOLTAGE

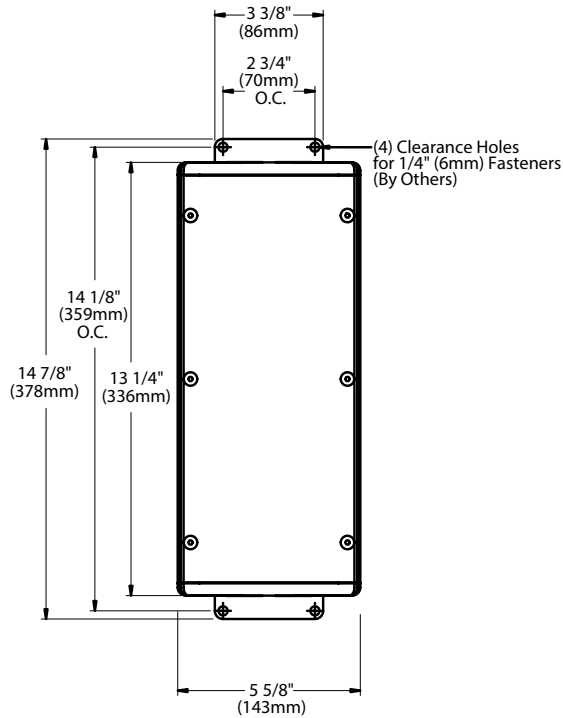
MT - 120-277 VAC

**For use with 0-10 dimmer. Driver wattage must match fixture wattage.*

MAMMOTH - PM3DRM REMOTE DRIVER HOUSING (SURFACE MOUNT) ORDER FIXTURES SEPARATELY.

DATE: _____ PROJECT: _____ TYPE: _____

TOP VIEW



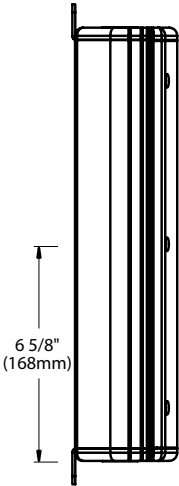
! REMOTE WIRING

LED Driver
 Remote driver installations require inter-connected wiring between the LED and driver (by others). Drivers have specific wiring requirements between these components. Driver manufacturers regularly recommend the following wiring details for such installations:

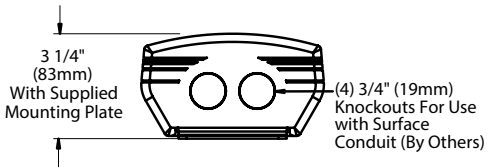
- Do not exceed 50 foot overall wiring distance using 12 gauge copper wire.

Failure to comply with specific wiring requirements will void product warranty.

SIDE VIEW



END VIEW



STANDARD FINISHES



PREMIUM FINISHES



[Click Here](#) to view larger, full-color swatches of all available finishes on our website.

MAMMOTH - PM3DRM REMOTE DRIVER HOUSING (SURFACE MOUNT) ORDER FIXTURES SEPARATELY.

DATE:	PROJECT:	TYPE:
-------	----------	-------

ACCESSORIES (Configure separately)

SPECIFICATIONS

Electrical	DRIVER (34-57W)	Two (2) 1.05A (D34, D42) or 1.4A (D57), Class A, constant current drivers. 120-277VAC (nominal) primary input voltage. 50/60Hz. >0.90 Power Factor, 15.0A in-rush current, .20%THD (nominal at 120VAC full load). Output over-voltage, over-current, and short circuit protection with auto recovery. EMC: FCC47CFR Part 15 Class B compliant. Dimming driver for use with standard 0-10V dimmers and switch controls. Refer to driver electrical data for dimming range.
PHYSICAL	SURFACE MOUNT	For use with side entry, surface conduits. Stainless steel mounting brackets provide for direct anchor to architectural surfaces in any orientation.
	HOUSING	Copper free, aluminum extrusion with die cast end caps. Surface mounted with flow through back channel to prevent water and debris collection. Machined aluminum cover with countersunk holes for flush hardware installation. Tamper-resistant, captive, black oxide stainless steel mounting screws. Front access for ease of installation and inspection. Two (2) 3/4" NPT female conduit entries per end cap for through wiring.
	INSTALLATION TETHER	Stainless steel cable with integral loop allows cover to temporarily suspend from housing during installation to simplify wire connection and component attachment.
	PATENTED KNOCKOUTS	Four (4) 3/4" NPT, machined aluminum knockouts. High temperature, silicone 'O' Ring for water-tight seal. Patented design allows knockout to be reinserted without compromising seal integrity.
	FINISH	StarGuard, our 15-stage, chromate-free process cleans and conversion coats aluminum components prior to application of Class 'A' TGIC polyester powder coating and is RoHS compliant. Finish to match fixture. (specified separately).
	WARRANTY	5-year limited warranty.
	CERTIFICATION & LISTING	Certified to CAN/CSA/ANSI Standards. UL Listed. NEMA 4X / IP66 Rated Enclosure. RoHs compliant. Made in USA with sustainable processes.



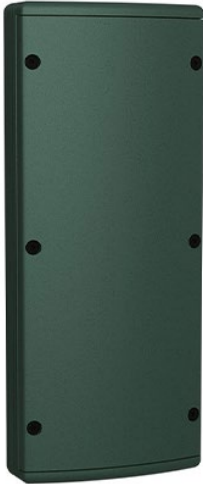
B-K LIGHTING

MADE IN THE USA

559.438.5800 | INFO@BKLIGHTING.COM | BKLIGHTING.COM

DATE:	PROJECT:	TYPE:
-------	----------	-------

CATALOG NUMBER LOGIC:



**For use with 0-10 dimmer. Driver wattage must match fixture wattage.*

CATALOG NUMBER LOGIC

Example: PM3DRM - CR - D42 - SAP - MT - MB

MATERIAL

Aluminum

SERIES

PM3DRM - Universal Power Module 3 Dual Remote

MOUNTING

CR - Round Camlock Canopy (Recessed Junction Box)

DRIVER TYPE*

D34 - (2) 34W Dimming Drivers (Standard Dimming 1-100%)

D42 - (2) 42W Dimming Drivers (Standard Dimming 1-100%)

D57 - (2) 57W Dimming Drivers (Standard Dimming 1-100%)

D34ARC - (2) 34W Dimming Drivers (Architectural Dimming 0.1-100%)

D42ARC - (2) 42W Dimming Drivers (Architectural Dimming 0.1-100%)

FINISH (See page 2 for full-color swatches)

Standard Finishes (BZP, BZW, BLP, BLW, WHP, WHW, SAP, VER)

Premium Finish (ABP, AMG, AQW, BCM, BGE, BPP, CAP, CMG, CRM, HUG, NBP, OCP, RMG, SDS, SMG, TXF, WCP, WIR)

(Also available in RAL Finishes. See submittal SUB-1439-00)

INPUT VOLTAGE

MT - 120-277 VAC

OPTIONS

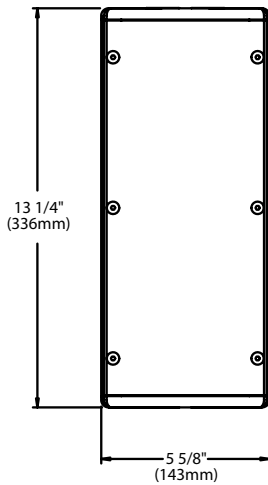
MB - Mounting Brackets

DATE:

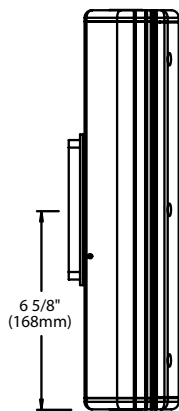
PROJECT:

TYPE:

TOP VIEW



SIDE VIEW



! REMOTE WIRING

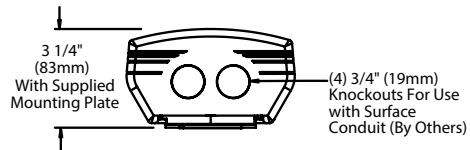
LED Driver

Remote driver installations require inter-connected wiring between the LED and driver (by others). Drivers have specific wiring requirements between these components. Driver manufacturers regularly recommend the following wiring details for such installations:

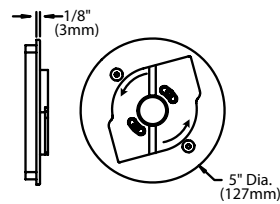
- Do not exceed 50 foot overall wiring distance using 12 gauge copper wire.

Failure to comply with specific wiring requirements will void product warranty.

END VIEW



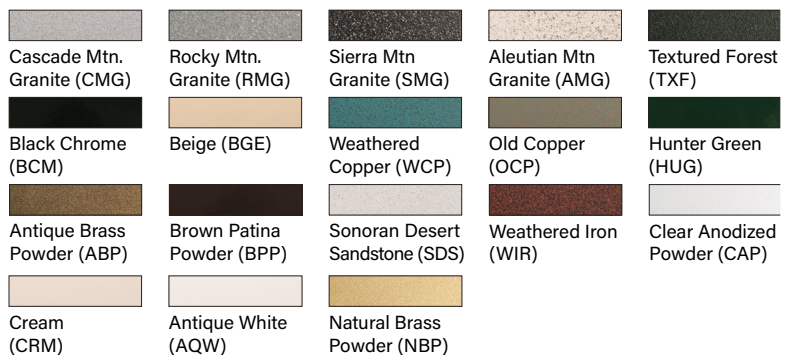
ROUND CAMLOCK™ CANOPY



STANDARD FINISHES



PREMIUM FINISHES






[Click Here](#) to view larger, full-color swatches of all available finishes on our website.

DATE:	PROJECT:	TYPE:
-------	----------	-------

ACCESSORIES (Configure separately)

SPECIFICATIONS

Electrical	DRIVER (34-57W)	Two (2) 1.05A (D34, D42) or 1.4A (D57), Class A, constant current drivers. 120-277VAC (nominal) primary input voltage. 50/60Hz. >0.90 Power Factor, 15.0A in-rush current, <20%THD (nominal at 120VAC full load). Output over-voltage, over-current, and short circuit protection with auto recovery. EMC: FCC47CFR Part 15 Class B compliant. Dimming driver for use with standard 0-10V dimmers and switch controls. Refer to driver electrical data for dimming range.
PHYSICAL	ROUND CAMLOCK CANOPY (RECESSED JUNCTION BOX)	5" dia., machined aluminum construction. Includes stainless steel universal mounting ring for use with 4" octagonal junction box. Two (2) tamper-resistant, black oxide stainless steel mounting screws. 1/8" thick HT-805A silicone foam gasket for water-tight seal. Integral Camlock provides additional 30° adjustment for precision alignment of UPM regardless of junction box orientation. Integral wiper seal maintains water-tight integrity between UPM and junction box. Optional stainless steel mounting brackets may be specified to provide additional anchor to architectural surface.
	HOUSING	Copper free, aluminum extrusion with die cast end caps. Surface mounted with flow through back channel to prevent water and debris collection. Machined aluminum cover with countersunk holes for flush hardware installation. Tamper-resistant, captive, black oxide stainless steel mounting screws. Front access for ease of installation and inspection. Two (2) 3/4" NPT female conduit entries per end cap for through wiring.
	INSTALLATION TETHER	Stainless steel cable with integral loop allows cover to temporarily suspend from housing during installation to simplify wire connection and component attachment.
	PATENTED KNOCKOUTS	Four (4) 3/4" NPT, machined aluminum knockouts. High temperature, silicone 'O' Ring for water-tight seal. Patented design allows knockout to be reinserted without compromising seal integrity.
	FINISH	StarGuard, our 15-stage, chromate-free process cleans and conversion coats aluminum components prior to application of Class 'A' TGIC polyester powder coating and is RoHS compliant. Finish to match fixture. (specified separately).
	WARRANTY CERTIFICATION & LISTING	5-year limited warranty. Certified to CAN/CSA/ANSI Standards. UL Listed. NEMA 4X / IP66 Rated Enclosure. RoHs compliant. Made in USA with sustainable processes.
  		

B-K LIGHTING
MADE IN THE USA

 559.438.5800 | INFO@BKLIGHTING.COM | BKLIGHTING.COM