

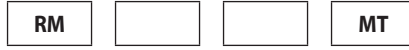
Constant Current Driver



NEMA 3R Remote Driver Housing

PROJECT:	
TYPE:	
CATALOG NUMBER:	
LAMP(S):	
NOTES:	

CATALOG NUMBER LOGIC



Example

RM - D34 - SAP - MT

Remote Driver Housing

RM - NEMA 3R Remote Driver Housing
(Specify Fixture Separately)

Driver Type

For use with 0-10 Dimmer:

- D34 - 34W Dimming Driver (Standard Dimming 1-100%)
- D42 - 42W Dimming Driver (Standard Dimming 1-100%)
- D57 - 57W Dimming Driver (Standard Dimming 10-100%)
- D34ARC - 34W Dimming Driver (Architectural Dimming 0.1-100%)
- D42ARC - 42W Dimming Driver (Architectural Dimming 0.1-100%)

Finish

Standard Finish

Powder Coat Color	Satin	Wrinkle
Bronze	BZP	BZW
Black	BLP	BLW
White (Gloss)	WHP	WHW
Aluminum	SAP	—
Verde	—	VER

Premium Finish

ABP	Antique Brass Powder	CMG	Cascade Mountain Granite	RMG	Rocky Mountain Granite
AMG	Aleutian Mountain Granite	CRI	Cracked Ice	SDS	Sonoran Desert Sandstone
AQW	Antique White	CRM	Cream	SMG	Sierra Mountain Granite
BCM	Black Chrome	HUG	Hunter Green	TXF	Textured Forest
BGE	Beige	MDS	Mojave Desert Sandstone	WCP	Weathered Copper
BPP	Brown Patina Powder	NBP	Natural Brass Powder	WIR	Weathered Iron
CAP	Clear Anodized Powder	OCP	Old Copper	Also available in RAL Finishes See submittal SUB-1439-00	

Input Voltage

MT - 120-277 VAC Input

⚠ REMOTE WIRING

LED Driver

Remote driver installations require inter-connected wiring between the LED and driver (by others). Drivers have specific wiring requirements between these components. Driver manufacturers regularly recommend the following wiring details for such installations:

- Do not exceed 50 foot overall wiring distance using 12 gauge copper wire.

Failure to comply with specific wiring requirements will void product warranty.

DRIVER ELECTRICAL DATA

TYPE	AC INPUT RANGE	FREQUENCY HZ	DIMMING	POWER FACTOR AT FULL LOAD	THD	OPERATING AMBIENT TEMPERATURE	DIMMER TYPE	DIMMER RANGE	IN RUSH CURRENT
D34	120/208/240/277	50/60	YES	>0.9	≤20%	-20° C ~ 50°C (-4°F to 122°F)	0-10V	1-100%	<30mA
D42	120/208/240/277	50/60	YES	>0.9	≤20%	-20° C ~ 50°C (-4°F to 122°F)	0-10V	1-100%	<30mA
D57	120/208/240/277	50/60	YES	>0.9	≤20%	-30° C ~ 60°C (-4°F to 122°F)	0-10V	10-100%	<30A
D34ARC	120/208/240/277	50/60	YES	>0.9	≤20%	-20° C ~ 50°C (-4°F to 122°F)	0-10V	0.1-100%	<30mA
D42ARC	120/208/240/277	50/60	YES	>0.9	≤20%	-20° C ~ 50°C (-4°F to 122°F)	0-10V	0.1-100%	<30mA

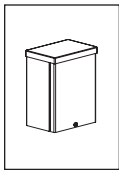
B-K LIGHTING

40429 Brickyard Drive • Madera, CA 93636 • USA
559.438.5800 • FAX 559.438.5900
www.bklighting.com • info@bklighting.com

RELEASED
06-30-2017

DRAWING NUMBER
SUB-2591-00

THIS DOCUMENT CONTAINS PROPRIETARY INFORMATION OF B-K LIGHTING, INC. AND ITS RECEIPT OR POSSESSION DOES NOT CONVEY ANY RIGHTS TO REPRODUCE, DISCLOSE ITS CONTENTS, OR TO MANUFACTURE, USE OR SELL ANYTHING IT MAY DESCRIBE. REPRODUCTION, DISCLOSURE OR USE WITHOUT SPECIFIC WRITTEN AUTHORIZATION OF B-K LIGHTING, INC. IS STRICTLY FORBIDDEN.



BKSSL
SOLID STATE LIGHTING

Constant Current Driver

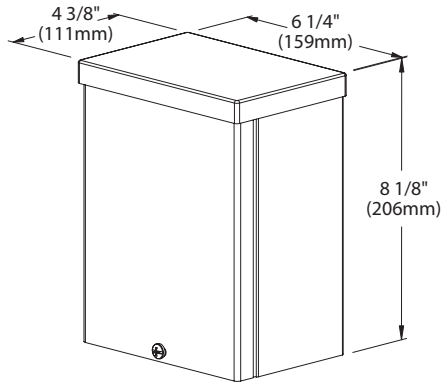


NEMA 3R Remote Driver Housing

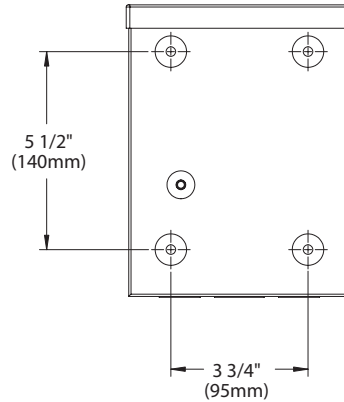
PROJECT:

TYPE:

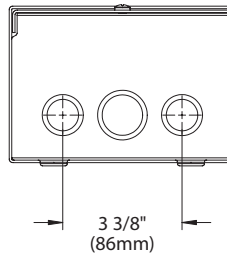
SIDE VIEW



BACK VIEW



END VIEW



SPECIFICATIONS

GreenSource Initiative™

Metal and packaging components are made from recycled materials. Manufactured using renewable solar energy, produced on site. Returnable to manufacturer at end of life to ensure cradle-to-cradle handling. Packaging contains no chlorofluorocarbons (CFC's). Use of this product may qualify for GreenSource efficacy and recycling rebate(s). Consult www.bklighting.com/greensource for program requirements.

Installation

Nema 3R, surface mount design. For use with remote fixture (specified separately).

Housing

Steel construction with screw cover. Front access for ease of installation and inspection. [2] bottom entry, 3/4" conduit knockouts.

Wiring / Connectors

Teflon® coated wire, 18 gauge, 600V, 250°C rated and certified to UL1659 standard. Pre-wired and labeled terminal strip.

Driver (34-57W)

[1] 1.05A (D34, D42) or 1.4A (D57), Class A, constant current driver. 120-277VAC (nominal) primary input voltage. 50/60Hz. >0.90 Power Factor, <10.0A in-rush current, ≤20%THD (nominal at 120VAC full load). Output over-voltage, over-current, and short circuit protection with auto recovery. EMC: FCC47CFR Part 15 Class B compliant. Dimming driver for use with standard 0-10V dimmers and switch controls. Refer to driver electrical data for dimming range.

Finish

StarGuard®, our exclusive RoHs compliant, 15 stage chromate-free process cleans and conversion coats aluminum components prior to application of Class 'A' TGIC polyester powder coating.

Warranty

5 year limited warranty.

Listings

NEMA 3R Enclosure. UL Listed. Certified to CAN/CSA/ANSI Standards. RoHs compliant. Made in USA.



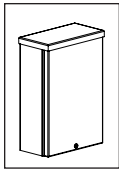
©Teflon is a registered trademark of DuPont Corporation.

B-K LIGHTING

40429 Brickyard Drive • Madera, CA 93636 • USA
559.438.5800 • FAX 559.438.5900
www.bklighting.com • info@bklighting.com

RELEASED
06-30-2017

DRAWING NUMBER
SUB-2591-00



Constant Current Driver



NEMA 3R Dual Remote Driver Housing

PROJECT:	
TYPE:	
CATALOG NUMBER:	
LAMP(S):	
NOTES:	

CATALOG NUMBER LOGIC



Example

Remote Driver Housing ———
DRM - NEMA 3R Remote Driver Housing
(Specify Fixture Separately)

Driver Type

For use with 0-10 Dimmer:

- D34** - (2) 34W Dimming Driver (Standard Dimming 1-100%)
- D42** - (2) 42W Dimming Driver (Standard Dimming 1-100%)
- D57** - (2) 57W Dimming Driver (Standard Dimming 10-100%)
- D34ARC** - (2) 34W Dimming Driver (Architectural Dimming 0.1-100%)
- D42ARC** - (2) 42W Dimming Driver (Architectural Dimming 0.1-100%)

Finish

Standard Finish

Powder Coat Color	Satin	Wrinkle
Bronze	BZP	BZW
Black	BLP	BLW
White (Gloss)	WHP	WHW
Aluminum	SAP	—
Verde	—	VER

Premium Finish

ABP Antique Brass Powder	CMG Cascade Mountain Granite	RMG Rocky Mountain Granite
AMG Aleutian Mountain Granite	CRI Cracked Ice	SDS Sonoran Desert Sandstone
AQW Antique White	CRM Cream	SMG Sierra Mountain Granite
BCM Black Chrome	HUG Hunter Green	TXF Textured Forest
BGE Beige	MDS Mojave Desert Sandstone	WCP Weathered Copper
BPP Brown Patina Powder	NBP Natural Brass Powder	WIR Weathered Iron
CAP Clear Anodized Powder	OCP Old Copper	<i>Also available in RAL Finishes See submittal SUB-1439-00</i>

Input Voltage

MT - 120-277 VAC Input

⚠ REMOTE WIRING

LED Driver

Remote driver installations require inter-connected wiring between the LED and driver (by others). Drivers have specific wiring requirements between these components. Driver manufacturers regularly recommend the following wiring details for such installations:

- Do not exceed 50 foot overall wiring distance using 12 gauge copper wire.

Failure to comply with specific wiring requirements will void product warranty.

DRIVER ELECTRICAL DATA

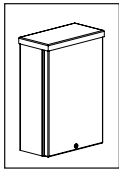
TYPE	AC INPUT RANGE	FREQUENCY HZ	DIMMING	POWER FACTOR AT FULL LOAD	THD	OPERATING AMBIENT TEMPERATURE	DIMMER TYPE	DIMMER RANGE	IN RUSH CURRENT
D34	120/208/240/277	50/60	YES	>0.9	≤20%	-20° C ~ 50°C (-4°F to 122°F)	0-10V	1-100%	<30mA
D42	120/208/240/277	50/60	YES	>0.9	≤20%	-20° C ~ 50°C (-4°F to 122°F)	0-10V	1-100%	<30mA
D57	120/208/240/277	50/60	YES	>0.9	≤20%	-30° C ~ 60°C (-4°F to 122°F)	0-10V	10-100%	<30A
D34ARC	120/208/240/277	50/60	YES	>0.9	≤20%	-20° C ~ 50°C (-4°F to 122°F)	0-10V	0.1-100%	<30mA
D42ARC	120/208/240/277	50/60	YES	>0.9	≤20%	-20° C ~ 50°C (-4°F to 122°F)	0-10V	0.1-100%	<30mA

B-K LIGHTING

40429 Brickyard Drive • Madera, CA 93636 • USA
 559.438.5800 • FAX 559.438.5900
 www.bklighting.com • info@bklighting.com

RELEASED
 06-30-2017

DRAWING NUMBER
 SUB-2594-00



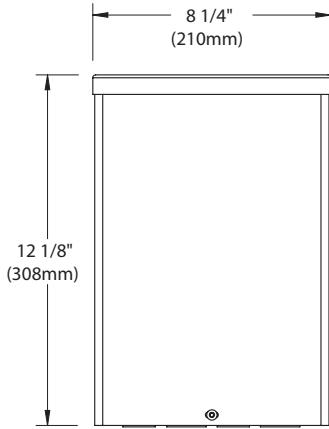
Constant Current Driver



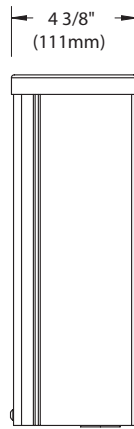
NEMA 3R Dual Remote Driver Housing

PROJECT:	
TYPE:	

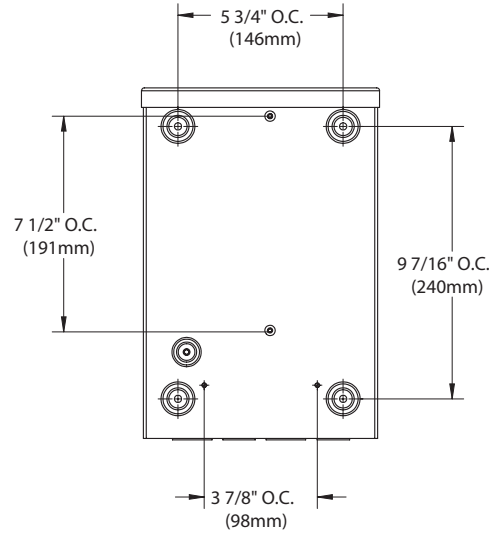
FRONT VIEW



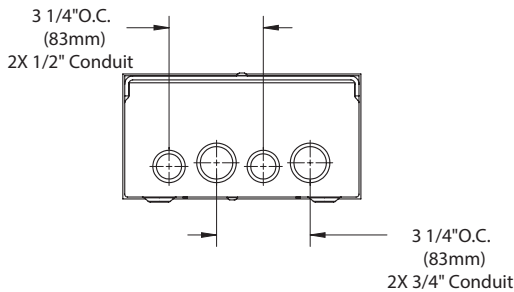
SIDE VIEW



BACK VIEW



END VIEW



SPECIFICATIONS

GreenSource Initiative™

Metal and packaging components are made from recycled materials. Manufactured using renewable solar energy, produced on site. Returnable to manufacturer at end of life to ensure cradle-to-cradle handling. Packaging contains no chlorofluorocarbons (CFC's). Use of this product may qualify for GreenSource efficacy and recycling rebate(s). Consult www.bklighting.com/greensource for program requirements.

Installation

Nema 3R, surface mount design. For use with remote fixtures (specified separately).

Housing

Steel construction with screw cover. Front access for ease of installation and inspection. [2] bottom entry, 3/4" conduit knockouts.

Wiring / Connectors

Teflon® coated wire, 18 gauge, 600V, 250°C rated and certified to UL1659 standard. Pre-wired and labeled terminal strip.

Driver (34-57W)

[2] 1.05A (D34, D42) or 1.4A (D57), Class A, constant current drivers. 120-277VAC (nominal) primary input voltage. 50/60Hz. >0.90 Power Factor, <15.0A in-rush current, ≤20%THD (nominal at 120VAC full load). Output over-voltage, over-current, and short circuit protection with auto recovery. EMC: FCC47CFR Part 15 Class B compliant. Dimming driver for use with standard 0-10V dimmers and switch controls. Refer to driver electrical data for dimming range.

Finish

StarGuard®, our exclusive RoHs compliant, 15 stage chromate-free process cleans and conversion coats aluminum components prior to application of Class 'A' TGIC polyester powder coating.

Warranty

5 year limited warranty.

Listings

NEMA 3R Enclosure. UL Listed. Certified to CAN/CSA/ANSI Standards. RoHs compliant. Made in USA.



®Teflon is a registered trademark of DuPont Corporation.