

# DENALI UPLIGHT - INTEGRAL

## Standard Installation



Flammable



Warning



High Voltage



Hot Surface

### TOOLS NEEDED:



- 5/64", 9/64" & .050" Allen Wrench
- Waterproof Wire Connectors
- Silicone

### INSTRUCTIONS PERTAINING TO A RISK OF FIRE, OR INJURY TO PERSONS IMPORTANT SAFETY INSTRUCTIONS

#### Lighted fixture is HOT!

#### WARNING - To reduce the risk of FIRE OR INJURY TO PERSONS:

Turn off/unplug and allow to cool before replacing lamp/LED. Fixture gets HOT quickly! Contact only switch/plug when turning on. Do not touch hot lens, guard, or enclosure. Keep fixture away from materials that may burn. Do not operate the luminaire fitting with a missing or damaged shield. Do not touch the source at any time. Use a soft cloth or gloves. Oil from skin may cause damage.

**SAVE THESE INSTRUCTIONS**

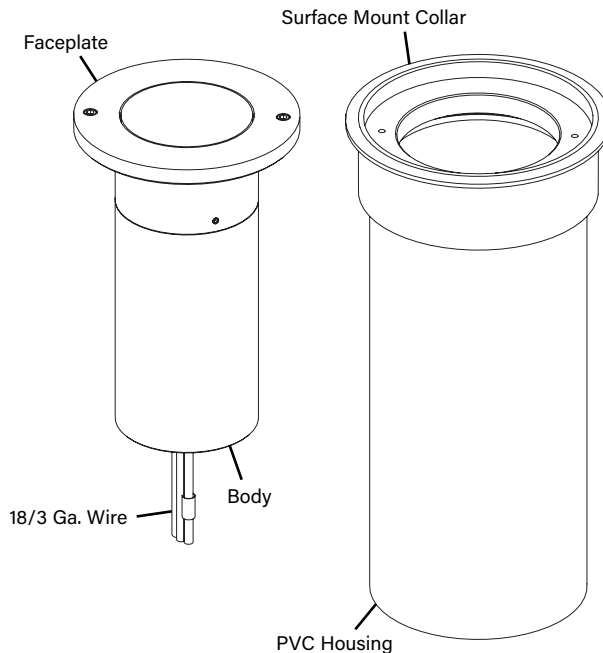
### IMPORTANT SAFETY INFORMATION - READ, FOLLOW, AND SAVE ALL SAFETY AND INSTALLATION INSTRUCTIONS

- Product must be installed by a qualified person in a manner consistent with its intended use and in compliance with the National Electrical Code, Canadian Electrical Code, and all Local and Provincial Codes.
- Follow product label information and instructions.
- Qualified Personnel with appropriate personal protective equipment must perform all servicing of this product.
- Before wiring to power supply and during servicing, turn off and lock out power at fuse or circuit breaker before service.
- The use of accessory equipment not recommended by the manufacturer or installed contrary to instructions may cause an unsafe condition. The use of damaged components may cause an unsafe condition and void product warranty.
- Do not block light emanating from product in whole or part, as this may cause an unsafe condition.
- Never operate the fixture with missing or damaged lens. Lens must be cleaned on regular basis.
- Entire fixture may become extremely hot. Do not touch hot lens or fixture body.
- Replace LED assembly only with correct wattage and type of power supply appropriate for LED assembly.
- All gaskets, o-rings and sealing surfaces must be kept clean during installation and service; failure to do this may cause an unsafe condition and void product warranty.

### IMPORTANT LISTINGS AND CERTIFICATIONS

- Suitable for wet locations

Proper soil preparation is recommended before installation. See the DIG-IT guide at [www.bklighting.com/collaterals/install/digit.pdf](http://www.bklighting.com/collaterals/install/digit.pdf) for more information.



### INSTALLATION

Surface mount uplights are intended for installation in wood, pavers, stone, and other hardscapes.

**Not recommended for concrete pour installations.**

### IMPORTANT SAFETY INFORMATION - READ, FOLLOW, AND SAVE THESE INSTALLATION INSTRUCTIONS

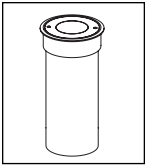
# B-K LIGHTING

40429 Brickyard Drive • Madera, CA 93636 • USA  
559.438.5800 • FAX 559.438.5900  
www.bklighting.com • info@bklighting.com

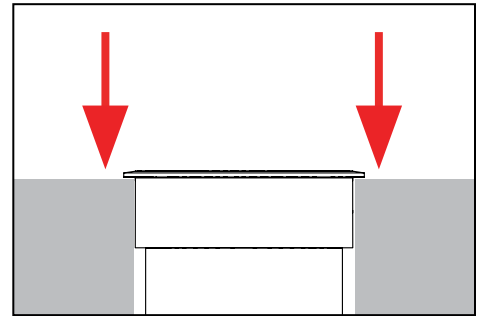
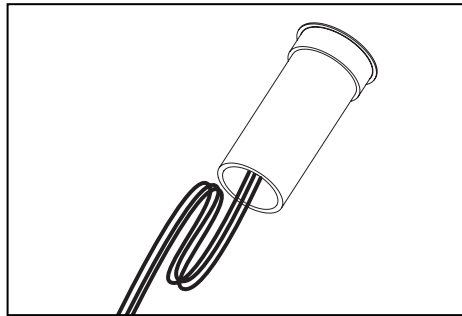
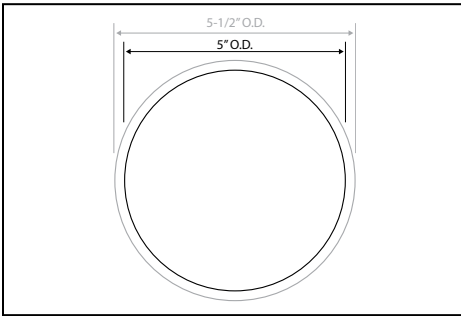
RELEASE DATE  
06/26/2023

REFERENCE NUMBER  
INS-2826-00

THIS DOCUMENT CONTAINS PROPRIETARY INFORMATION OF B-K LIGHTING, INC. AND ITS RECEIPT OR POSSESSION DOES NOT CONVEY ANY RIGHTS TO REPRODUCE, DISCLOSE ITS CONTENTS, OR TO MANUFACTURE, USE OR SELL ANYTHING IT MAY DESCRIBE. REPRODUCTION, DISCLOSURE OR USE WITHOUT SPECIFIC WRITTEN AUTHORIZATION OF B-K LIGHTING, INC. IS STRICTLY FORBIDDEN.



*Standard Installation*



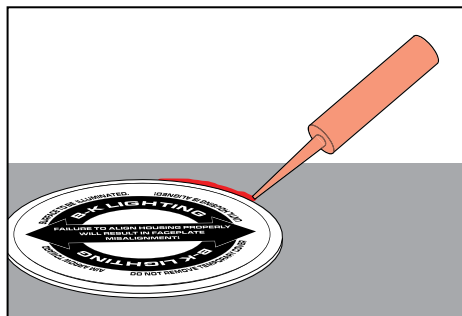
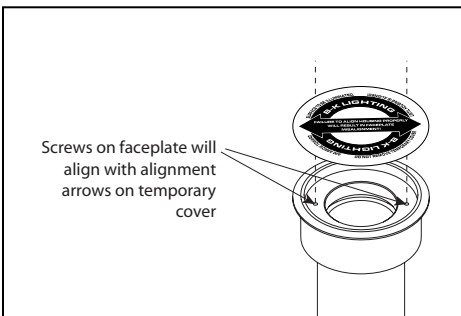
1. Drill 5" diameter hole into mounting surface at upright installation location as per lighting plan.
2. Loop minimum of 6" of wiring inside housing to allow for fixture service.
3. Place housing into hole. Surface mount collar should rest on finished surface grade.

Do not exceed surface diameter, installation relies on surface mount collar resting on surface grade. Collar diameter is 5". Surface mount flange is 5-1/2" diameter

**⚠ NOTE: Do not remove temporary cover!**

**⚠ NOTE: Do not remove temporary cover!**

Pull primary 120v, branch circuit wiring.



4. Align holes to final installation orientation. Arrows on temporary cover point towards screw location on faceplate for alignment purposes.
5. Use a silicone based sealant (not included) between fixture and mounting surface.

**⚠ NOTE: Do not remove temporary cover until installation of faceplate.**

**IMPORTANT SAFETY INFORMATION LISTED ON REVERSE  
READ, FOLLOW, AND SAVE ALL SAFETY AND INSTALLATION INSTRUCTIONS**

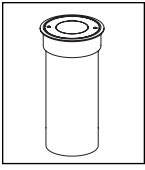


**B-K LIGHTING**

40429 Brickyard Drive • Madera, CA 93636 • USA  
559.438.5800 • FAX 559.438.5900  
www.bklighting.com • info@bklighting.com

RELEASE DATE  
06/26/2023

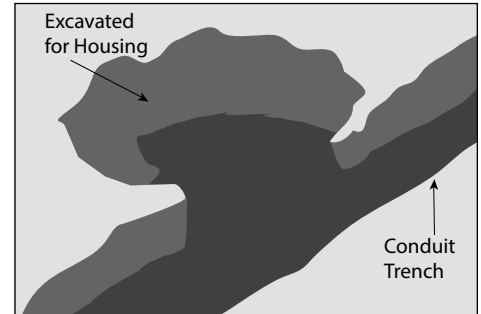
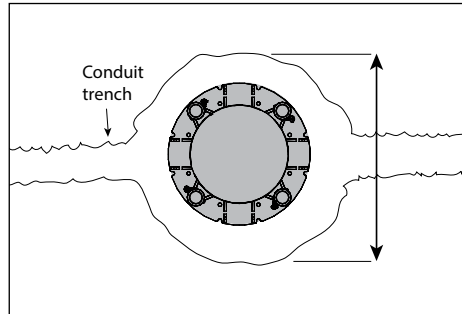
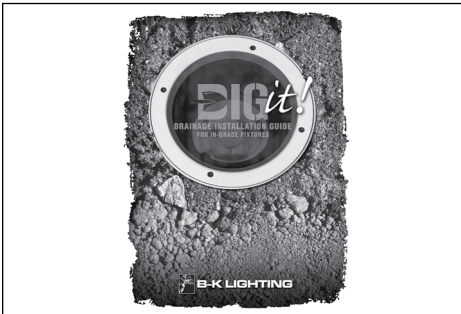
REFERENCE NUMBER  
INS-2826-00



## Standard Installation

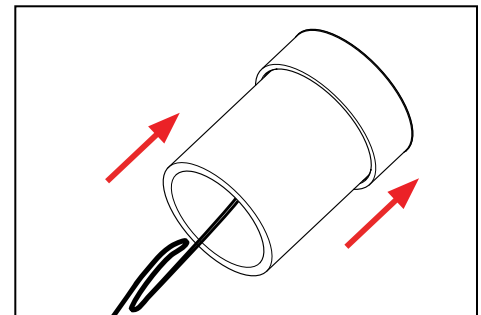
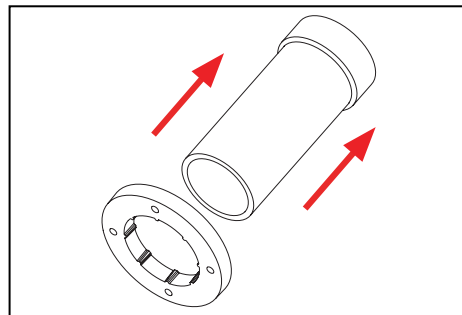
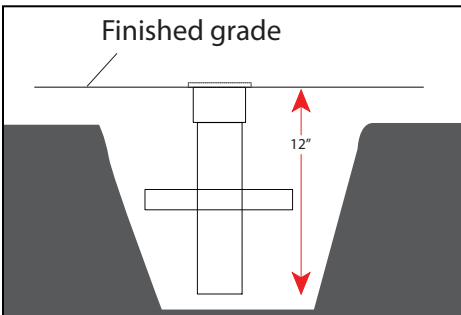
### In-ground Installation Instructions

#### Soil Prep



- A. Determine Soil Type by referencing DIG-IT Guide. Prep soil according to DIG-IT Guide.
- B. Dig hole 15" wide and 12" deep.
- C. Prep soil according to DIG-IT Guide.

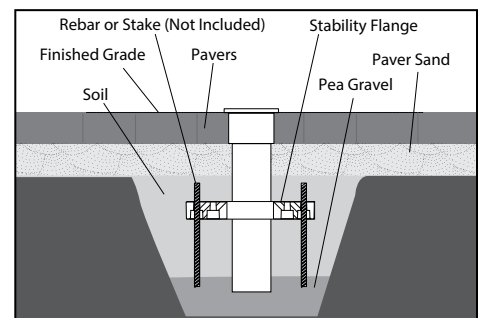
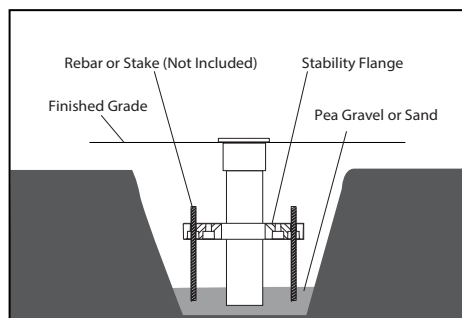
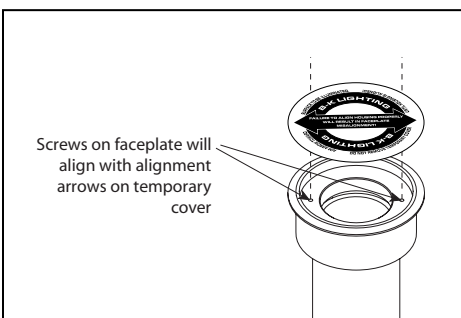
#### Fixture Installation Surface Mount



1. Excavate trench according to designed lighting plan 12" deep and 15" wide suitable for the fixture housing.
2. Supply primary 120v, branch circuit wiring necessary for installation.
3. Slide stability flange onto housing.
4. Loop minimum of 6" wire inside housing to allow for fixture service. Place fixture in hole.

**NOTE:** Product is supplied with a stability flange to anchor fixture and aid in installation.

**NOTE:** Do not remove temporary cover!



5. Align holes to final installation orientation. Arrows on temporary cover point towards screw location on faceplate for alignment purposes.
6. Per DIG-IT Guide, backfill the gap between the bottom of housing and bottom of hole with sand or pea gravel for drainage.
7. Fill with soil, then compress. Layer paver sand as required for paver installation, then install pavers. Pavers may need to be cut to fit around housing.

**NOTE:** Do not remove temporary cover until installation of faceplate.

**NOTE:** The mounting collar must be flush to finished grade. Use stability flange to aid in installation as shown. Fixture is provided with 5ft leads.

**IMPORTANT SAFETY INFORMATION LISTED ON REVERSE  
READ, FOLLOW, AND SAVE ALL SAFETY AND INSTALLATION INSTRUCTIONS**

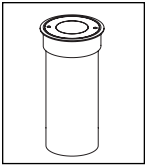


**B-K LIGHTING**

40429 Brickyard Drive • Madera, CA 93636 • USA  
559.438.5800 • FAX 559.438.5900  
www.bklighting.com • info@bklighting.com

RELEASE DATE  
06/26/2023

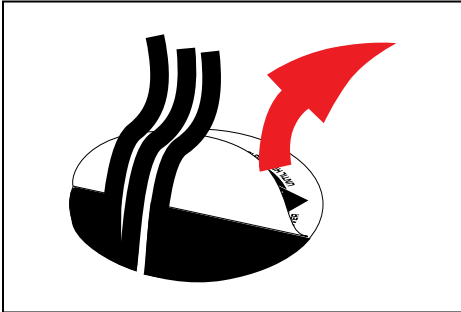
REFERENCE NUMBER  
INS-2826-00



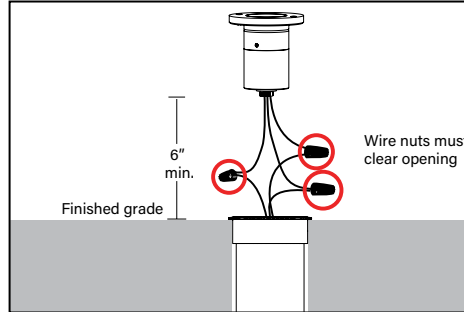
## Standard Installation

# DENALI UPLIGHT - INTEGRAL

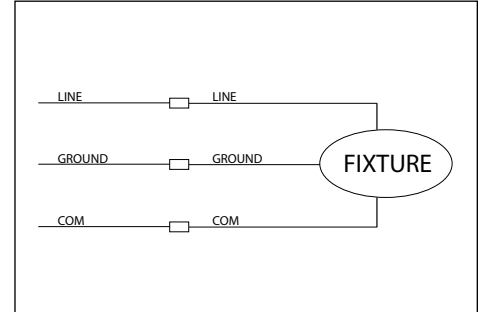
### In-ground installation instructions



8. Remove temporary cover and pull out primary 120V, branch circuit wiring.



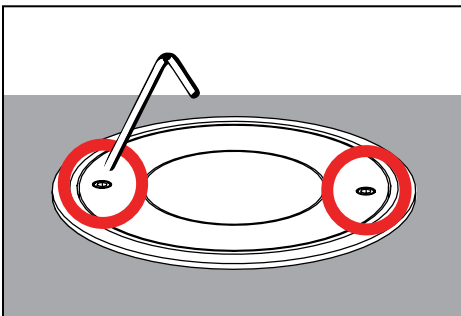
9. Access primary 120V, branch circuit wiring inside housing. Make watertight connections using waterproof wire connectors (not included). Wire connectors must clear opening. Insert fixture, wiring and connections into housing. **See wiring diagram.**



#### WIRING DIAGRAM

Pull branch circuit wiring. Make watertight connections from branch circuit wiring to fixture leads using waterproof wire connectors (not included) in splice location as per NEC. UL Listed splice location required. Connect incoming green ground wire to ground wire from fixture. **See wiring diagram.**

**⚠ All line voltage connections must be made in compliance with the National Electrical Code. Failure to do so will void warranty.**



10. Mount faceplate to collar using two (2) #8-32 flat head screws (included) with a 9/64" allen wrench.

**IMPORTANT SAFETY INFORMATION LISTED ON REVERSE  
READ, FOLLOW, AND SAVE ALL SAFETY AND INSTALLATION INSTRUCTIONS**

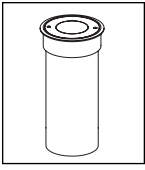


# B-K LIGHTING

40429 Brickyard Drive • Madera, CA 93636 • USA  
559.438.5800 • FAX 559.438.5900  
www.bklighting.com • info@bklighting.com

RELEASE DATE  
06/26/2023

REFERENCE NUMBER  
INS-2826-00

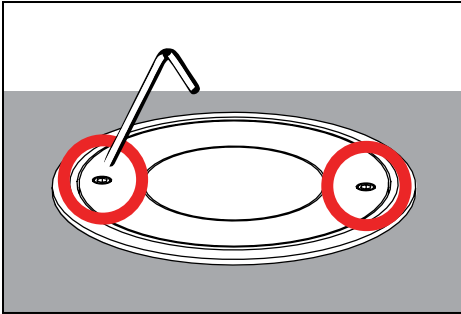


### Standard Installation

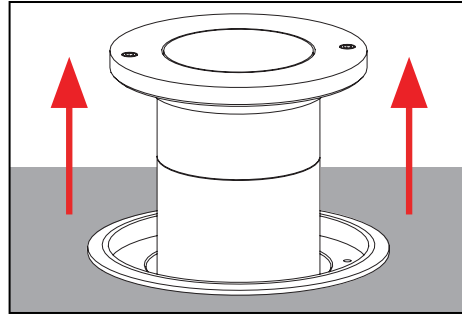


This product is available with field replaceable components. Exclusive interchangeable OPTIKITS and modular LED components with quick disconnects simplifies upgrades and maintenance when necessary.

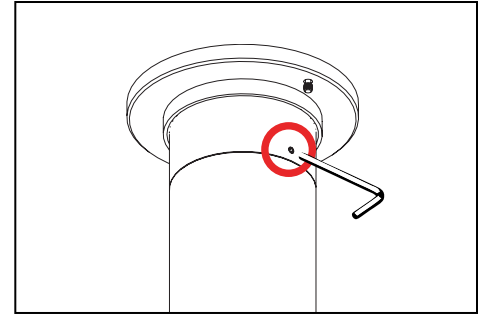
### Fixture Re-lamping



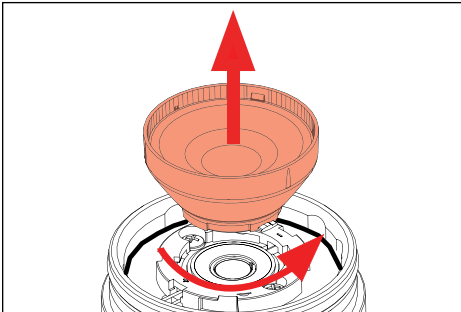
1. Remove faceplate from collar using (2) #8-32 faceplate screws with a 9/64" allen wrench.



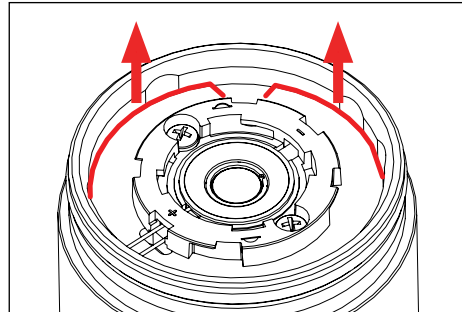
2. Remove fixture from collar.



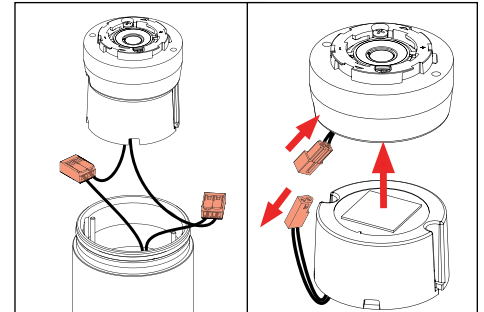
3. Loosen three (3) #8-32 set screws with a 5/64" allen wrench to remove cap from fixture body.



4. Twist and pull away optic.

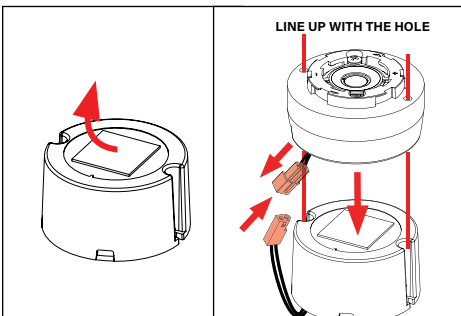


5. Remove retainer

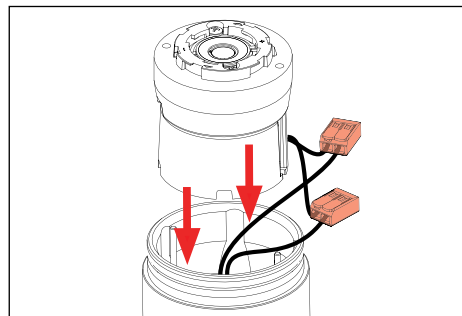


6. Disconnect driver assembly from fixture body.

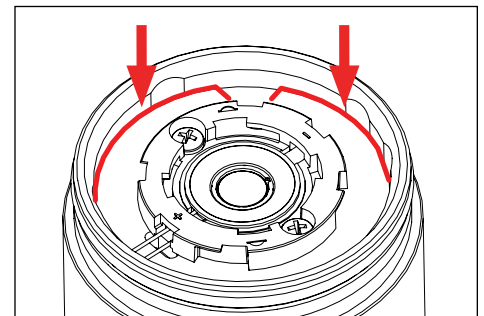
7. Separate heatsink from driver assembly via quick disconnect.



8. Remove protective plastic from the double-sided tape square on clean top of driver assembly.



10. Connect new driver assembly to fixture leads. Place connections inside body cavity, then slide down fixture body along guides.

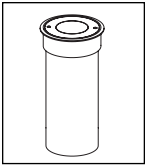


11. Reinstall Retainer

9. Reconnect heatsink assembly to driver assembly via quick disconnect. Quick disconnect tucks into space underneath heatsink. Press heatsink down along guides until flush and even with tape on driver.

**IMPORTANT SAFETY INFORMATION LISTED ON REVERSE  
READ, FOLLOW, AND SAVE ALL SAFETY AND INSTALLATION INSTRUCTIONS**

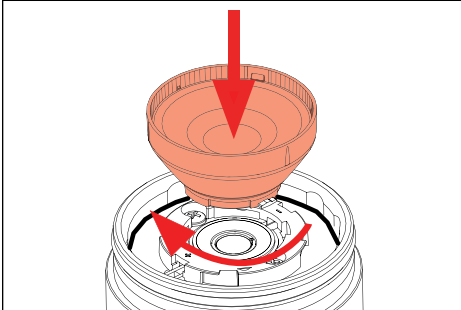




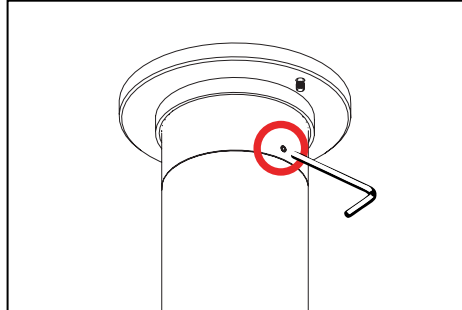
*Standard Installation*



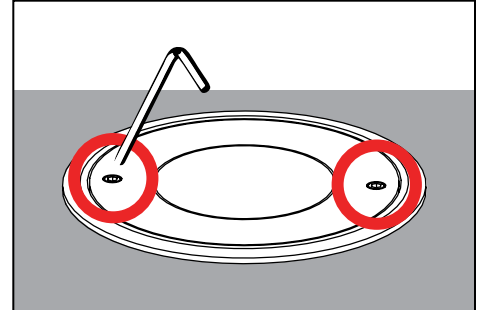
This product is available with field replaceable components. Exclusive interchangeable OPTIKITS and modular LED components with quick disconnects simplifies upgrades and maintenance when necessary.



12. Twist to reinstall optic onto optic holder.



13. Tighten three (3) #8-32 set screws with a 5/64" allen wrench to replace cap on fixture body.



14. Replace faceplate, then replace fixture in mounting collar. Mount faceplate to collar using (2) #8-32 screws with a 9/64" allen wrench. Do not overtighten.

**IMPORTANT SAFETY INFORMATION LISTED ON REVERSE  
READ, FOLLOW, AND SAVE ALL SAFETY AND INSTALLATION INSTRUCTIONS**

