

Standard Installation

GLOW STAR LED/LOW VOLTAGE



Flammable



Warning



Low Voltage



Hot Surface

TOOLS NEEDED:



Phillips Screwdriver



Waterproof Wire Connectors



Mounting Hardware

INSTRUCTIONS PERTAINING TO A RISK OF FIRE, OR INJURY TO PERSONS IMPORTANT SAFETY INSTRUCTIONS

Lighted fixture is HOT!

WARNING - To reduce the risk of FIRE OR INJURY TO PERSONS:

Turn off/unplug and allow to cool before replacing lamp/LED. Fixture gets HOT quickly! Contact only switch/plug when turning on. Do not touch hot lens, guard, or enclosure. Keep fixture away from materials that may burn. Do not operate the luminaire fitting with a missing or damaged shield. Do not touch the source at any time. Use a soft cloth or gloves. Oil from skin may cause damage.

SAVE THESE INSTRUCTIONS

IMPORTANT SAFETY INFORMATION - READ, FOLLOW, AND SAVE ALL SAFETY AND INSTALLATION INSTRUCTIONS

- Product must be installed by a qualified person in a manner consistent with its intended use and in compliance with the National Electrical Code, Canadian Electrical Code, and all Local and Provincial Codes.
- Follow product label information and instructions.
- Qualified Personnel with appropriate personal protective equipment must perform all servicing of this product.
- Before wiring to power supply and during servicing, turn off and lock out power at fuse or circuit breaker before service.
- The use of accessory equipment not recommended by the manufacturer or installed contrary to instructions may cause an unsafe condition. The use of damaged components may cause an unsafe condition and void product warranty.
- Do not block light emanating from product in whole or part, as this may cause an unsafe condition.
- Never operate the fixture with missing or damaged lens. Lens must be cleaned on regular basis.
- Entire fixture may become extremely hot. Do not touch hot lens or fixture body.
- Replace LED assembly only with correct wattage and type of power supply appropriate for LED assembly.
- All gaskets, o-rings and sealing surfaces must be kept clean during installation and service; failure to do this may cause an unsafe condition and void product warranty.

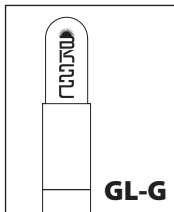
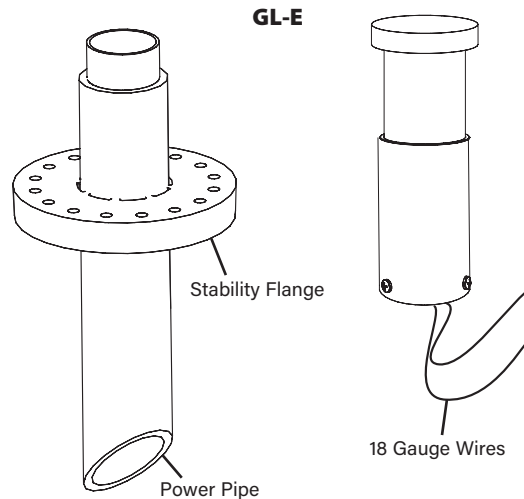
IMPORTANT LISTINGS AND CERTIFICATIONS

Suitable for wet locations • Suitable for mounting within 4 ft. of the ground.

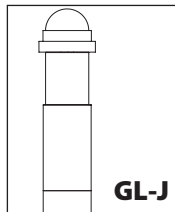
Proper soil preparation is recommended before installation. See the DIG-IT guide at www.bklighting.com/collaterals/install/digit.pdf for more information.

This set of instructions works for:

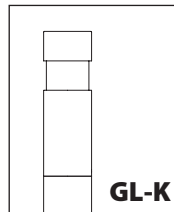
- GL-E - Glow Star Style E
- GL-G - Glow Star Style G
- GL-J - Glow Star Style J
- GL-K - Glow Star Style K
- GL-L - Glow Star Style L
- GL-N1 - Glow Star Style N1
- GL-P1 - Glow Star Style P1
- GL-R1 - Glow Star Style R1



GL-G



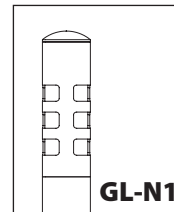
GL-J



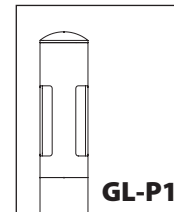
GL-K



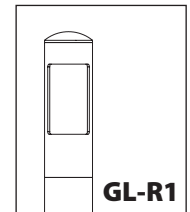
GL-L



GL-N1



GL-P1



GL-R1

IMPORTANT SAFETY INFORMATION - READ, FOLLOW, AND SAVE THESE INSTALLATION INSTRUCTIONS

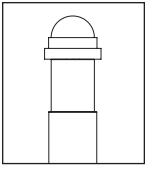
B-K LIGHTING

40429 Brickyard Drive • Madera, CA 93636 • USA
559.438.5800 • FAX 559.438.5900
www.bklighting.com • info@bklighting.com

RELEASE DATE
08/25/2023

REFERENCE NUMBER
INS000941

THIS DOCUMENT CONTAINS PROPRIETARY INFORMATION OF B-K LIGHTING, INC. AND ITS RECEIPT OR POSSESSION DOES NOT CONVEY ANY RIGHTS TO REPRODUCE, DISCLOSE ITS CONTENTS, OR TO MANUFACTURE, USE OR SELL ANYTHING IT MAY DESCRIBE. REPRODUCTION, DISCLOSURE OR USE WITHOUT SPECIFIC WRITTEN AUTHORIZATION OF B-K LIGHTING, INC. IS STRICTLY FORBIDDEN.



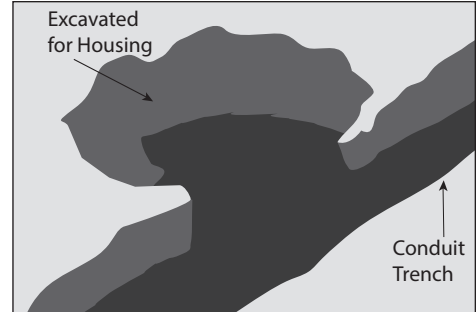
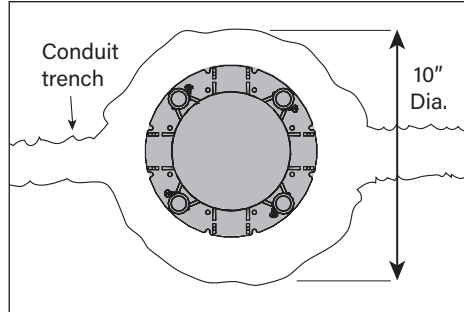
Standard Installation

GLOW STAR

LED/LOW VOLTAGE

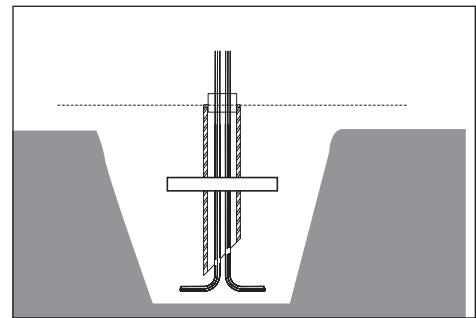
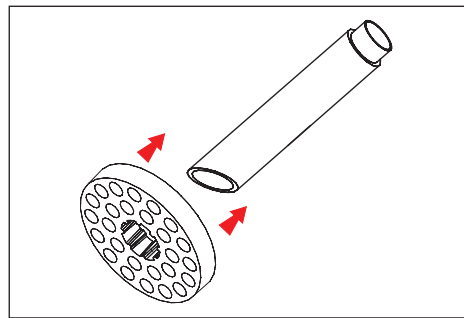
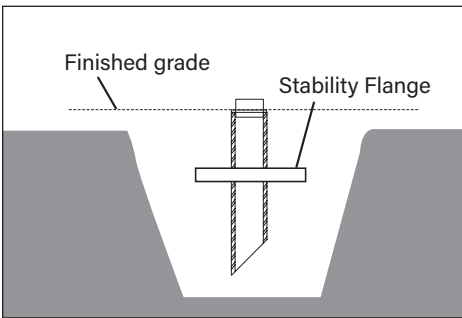
DRIVER HOUSING MUST BE INSTALLED ABOVE GRADE. POWER PIPE IS LABELED AT GRADE LEVEL. DRIVER HOUSING INSTALLED BELOW GRADE WILL VOID WARRANTY

Soil Prep



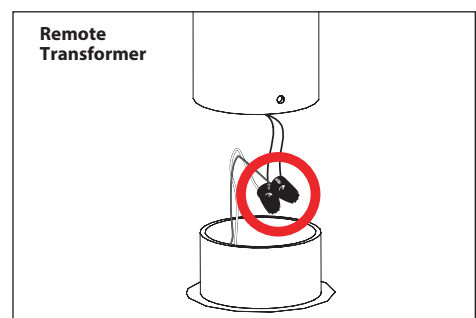
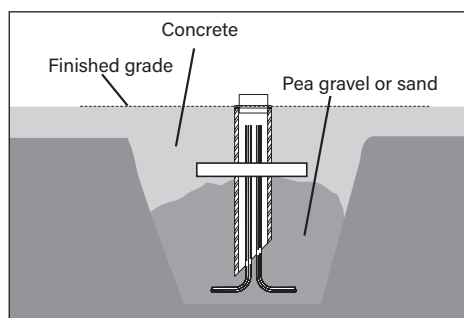
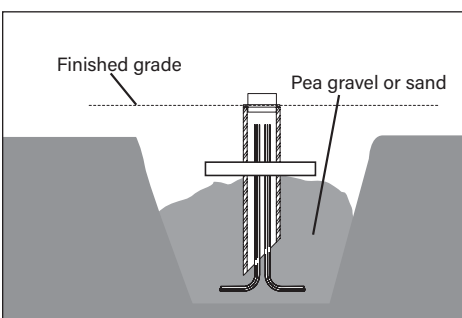
- A. Determine Soil Type by referencing DIG-IT Guide. Prep soil according to DIG-IT Guide.
- B. Dig hole 10" wide and 18" deep.
- C. Prep soil according to DIG-IT Guide.

Remote and Integral Power Pipe Installation



- 1. Excavate trench according to designed lighting plan. Dig hole a minimum of 18" deep and 10" wide to accommodate power pipe at desired fixture locations.
- 2. Slide optional stability flange onto power pipe. Use optional stability flange to aid in installation of power pipe.
- 3. Pull low voltage wiring from remote transformer (not included) to power pipe. Place power pipe in hole.

⚠ Allow for additional cable to make connections to fixture lead and future service. Do not cut PVC.



- 4. Back fill with pea gravel or sand prior to pour.
- 5. Pour concrete.

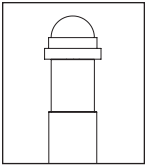
⚠ Label on power pipe indicates installation depth with finished grade.

Remote Transformer

- 6a. Make watertight connections from remote transformer to fixture leads using waterproof wire connectors (not included). See wiring diagram.

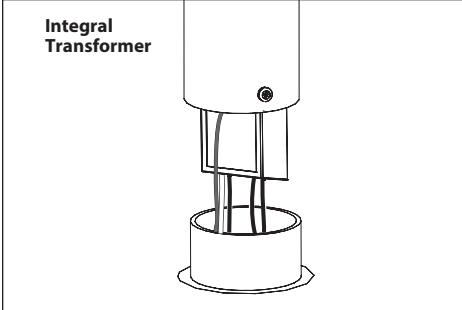
**IMPORTANT SAFETY INFORMATION LISTED ON REVERSE
READ, FOLLOW, AND SAVE ALL SAFETY AND INSTALLATION INSTRUCTIONS**



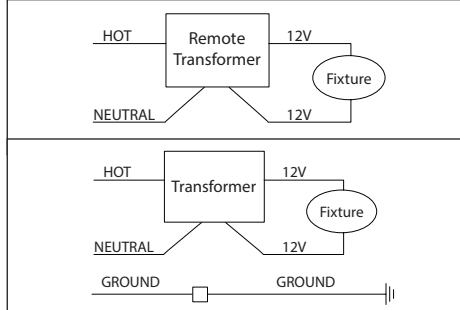


Standard Installation

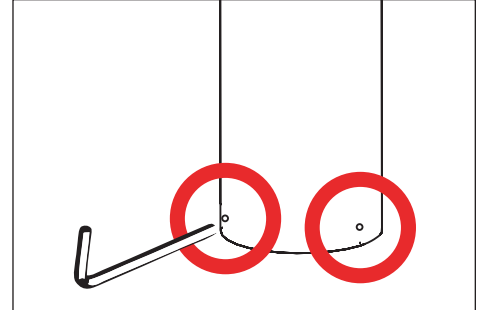
DRIVER HOUSING MUST BE INSTALLED ABOVE GRADE. POWER PIPE IS LABELED AT GRADE LEVEL. DRIVER HOUSING INSTALLED BELOW GRADE WILL VOID WARRANTY



Integral Transformer



WIRING DIAGRAM



Integral Transformer

6b. Pull branch circuit wires necessary for installation through power pipe. Use waterproof wire connectors (not included) to connect transformer primary leads to branch circuit wires. Connect incoming ground to ground wire provided in fixture body. **See wiring diagram.**

⚠ All line voltage connections must be made in compliance with the National Electrical Code. Failure to do so will void warranty.

7. Insert wires, connectors and/or transformer into fixture base and attach to power pipe. Tighten three (3) #8-32 stainless steel round head phillips screws at base to secure.

**IMPORTANT SAFETY INFORMATION LISTED ON REVERSE
READ, FOLLOW, AND SAVE ALL SAFETY AND INSTALLATION INSTRUCTIONS**

