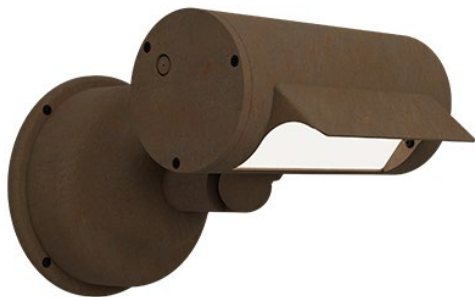


DATE:	PROJECT:	TYPE:
-------	----------	-------

CATALOG NUMBER LOGIC:



**CATALOG NUMBER LOGIC**

Example: PCIII - D23 - BZW - MT

**MATERIAL**

Aluminum

**SERIES**

PCIII - Power Canopy III System

**DRIVER TYPE\***

D23 - 23W Dimming Driver (Standard Dimming 1-100%)

D34 - 34W Dimming Driver (Standard Dimming 1-100%)

D23ARC - 23W Dimming Driver (Architectural Dimming 0.1-100%)

D34ARC - 34W Dimming Driver (Architectural Dimming 0.1-100%)

**FINISH**

Standard Finishes (BZP, BZW, BLP, BLW, WHP, WHW, SAP, VER)

Premium Finish (ABP, AMG, AQW, BCM, BGE, BPP, CAP, CMG, CRM, HUG, NBP, OCP, RMG, SDS, SMG, TXF, WCP, WIR)

(Also available in RAL Finishes. See submittal SUB-1439-00)

**INPUT VOLTAGE**

MT - 120-277 VAC

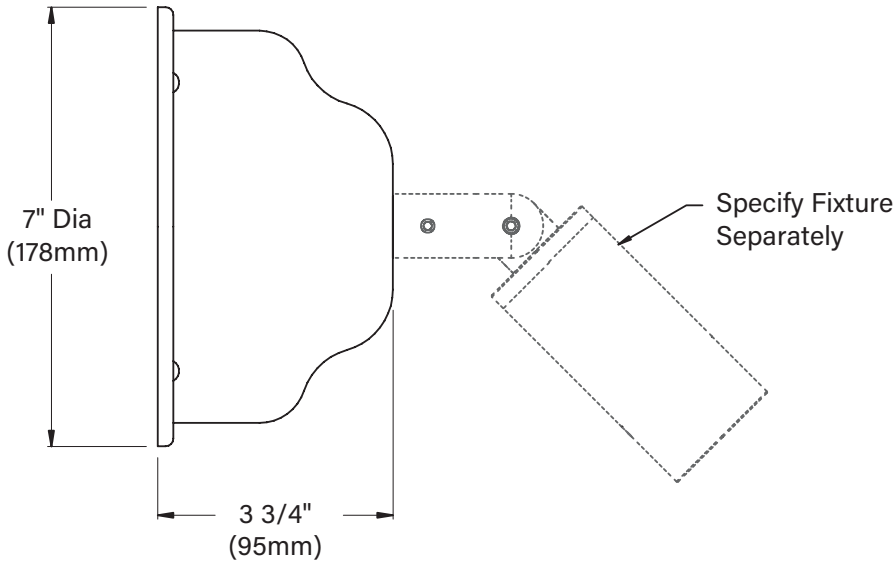
*\*For use with 0-10 dimmer. Driver wattage must match fixture wattage.*

DATE:

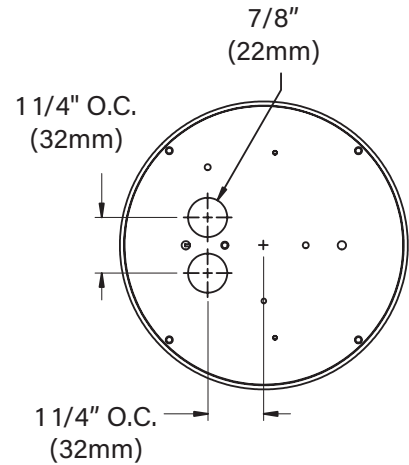
PROJECT:

TYPE:

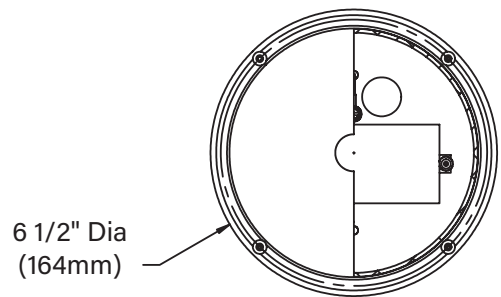
**SINGLE FIXTURE**



**CANOPY MOUNTING PLATE**



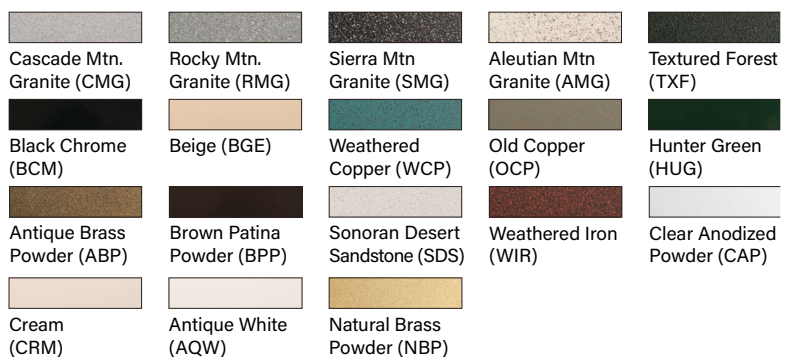
**CANOPY**



**STANDARD FINISHES**



**PREMIUM FINISHES**



[Click Here](#) to view larger, full-color swatches of all available finishes on our website.

DATE:	PROJECT:	TYPE:
-------	----------	-------

ACCESSORIES (Configure separately)

## SPECIFICATIONS

Electrical	WIRING DRIVER	<p>Teflon® coated wire, 18AWG, 600V, 250° C rated and certified to UL 1659 standard.</p> <p>One (1) 700mA/1.05A (D23, D34) Class A, constant current driver. 120-277VAC (nominal) primary input voltage. 50/60Hz. &gt;0.90 Power Factor, 15.0A in-rush current, .20%THD (nominal at 120VAC full load). Output over-voltage, over-current, and short circuit protection with auto recovery. EMC: FCC47CFR Part 15 Class B compliant. Dimming driver for use with standard 0-10V dimmers and switch controls. Refer to driver electrical data for dimming range.</p>
PHYSICAL	INSTALLATION  CANOPY HOUSING HARDWARE FINISH  WARRANTY CERTIFICATION & LISTING	<p>Universal design accommodates a single fixture (specified separately) and permits water-tight installation. Two wire entrance knockouts will accept 1/2" conduit or Romex connectors. Four 3/16" wall plate mounting holes (mounting hardware by others).</p> <p>Fully machined from copper-free aluminum. Stainless steel hardware. Gasket provides watertight seal.</p> <p>Tamper-resistant, stainless steel hardware.</p> <p>StarGuard, our 15-stage, chromate-free process cleans and conversion coats aluminum components prior to application of Class 'A' TGIC polyester powder coating and is RoHS compliant. Finish to match fixture (specified separately).</p> <p>5-year limited warranty.</p> <p>Certified to CAN/CSA/ANSI standards. UL Listed. RoHS compliant. Made in USA with sustainable processes.</p>

