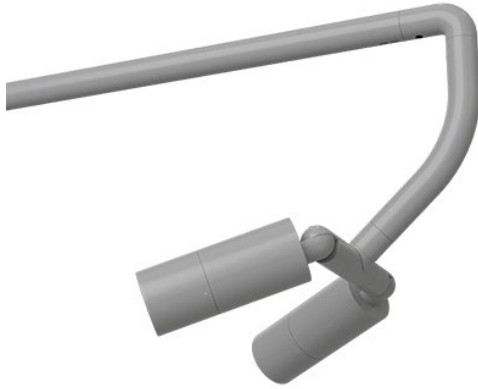


DATE: \_\_\_\_\_ PROJECT: \_\_\_\_\_ TYPE: \_\_\_\_\_

CATALOG NUMBER LOGIC:



**Driver housing required. Configure separately.**

*\*Requires Safety Cable (SC).*

*\*\*Accommodates up to 2 lens/shielding media.*

**CATALOG NUMBER LOGIC**

Example: ST - 36 - G - DE - LED - x64 - SP - SAP - 12 - 11 - B - SC

**MATERIAL**

Aluminum

**SERIES**

ST - Twin Sign Star

**STEM LENGTH**

24" (Standard), 30", 36", \*42", or \*48"

**STYLE**

G - Dual Bend, 45° Radius

**FIXTURE**

DE - Denali Series

**SOURCE**

LED - Chip on Board Technology

**LED TYPE**

x58 - 12W/2700K/80CRI	x62 - 20W/3000K/80CRI	x66 - 27W/4000K/80CRI
x59 - 12W/3000K/80CRI	x63 - 20W/4000K/80CRI	x67 - 27W/2700K/90CRI ✓
x60 - 12W/4000K/80CRI	x64 - 27W/2700K/80CRI	x68 - 27W/3000K/90CRI ✓
x61 - 20W/2700K/80CRI	x65 - 27W/3000K/80CRI	x69 - 27W/3500K/80CRI

**OPTICS**

SP - Spot (15°)    FL - Flood (35°)    WFL - Wide Flood (60°)

**FINISH (See page 2 for full-color swatches)**

Standard Finishes (BZP, BZW, BLP, BLW, WHP, WHW, SAP, VER)

Premium Finish (ABP, AMG, AQW, BCM, BGE, BPP, CAP, CMG, CRM, HUG, NBP, OCP, RMG, SDS, SMG, TXF, WCP, WIR)

Also available in RAL Finishes

**LENS TYPE\*\***

9 - Clear (Standard)

10 - Spread    12 - Soft Focus    13 - Rectilinear

**SHIELDING\*\***

11 - Honeycomb Baffle

**CAP STYLE**

A - 45°

B - 90°

C - Flush

D - 45° Less Weephole (Interior use only)

E - 90° Less Weephole (Interior use only)

**OPTIONS**

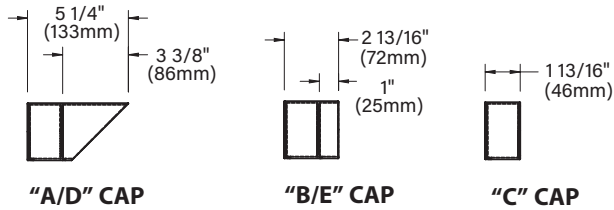
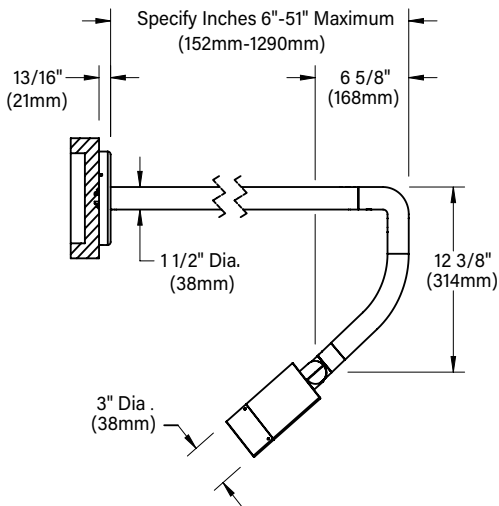
SC - Safety Cable with Mounting Canopy (Available for 24", 30", and 36". Req. for 42" and above)



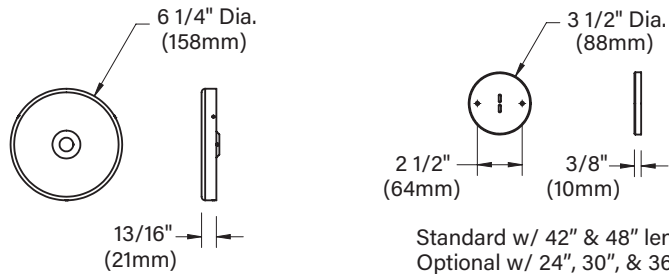
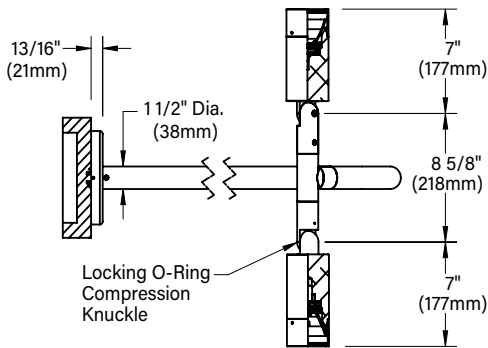
**TITLE 24, JA8 COMPLIANT**

DATE: \_\_\_\_\_ PROJECT: \_\_\_\_\_ TYPE: \_\_\_\_\_

**SIDE VIEW**



**BOTTOM VIEW**



Standard w/ 42" & 48" lengths  
Optional w/ 24", 30", & 36" lengths

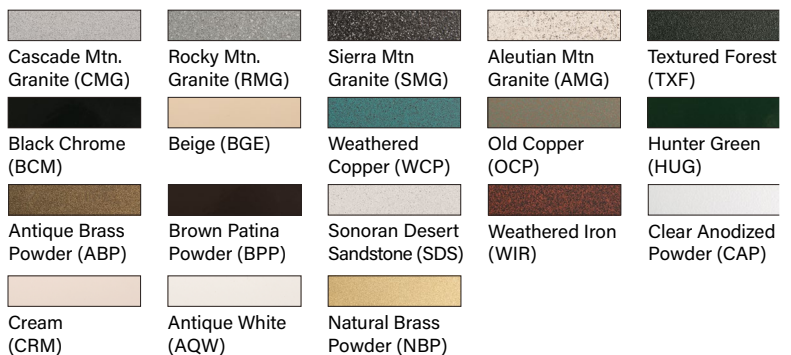
**COVER DETAIL**

**SAFETY CABLE W/MOUNTING CANOPY**

**STANDARD FINISHES**



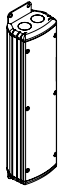
**PREMIUM FINISHES**



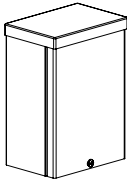
[Click Here](#) to view larger, full-color swatches of all available finishes on our website.

DATE: \_\_\_\_\_ PROJECT: \_\_\_\_\_ TYPE: \_\_\_\_\_

ACCESSORIES (Configure separately)



PM2DRM



DRM

SPECIFICATIONS

ELECTRICAL	WATTAGE WIRING REMOTE DRIVER	12W, 20W, or 27W LED  Teflon® coated, 18AWG, 600V, 250°C rated and certified to UL 1659 standard.  For use with remote LED driver. See remote driver submittal to determine remote distance and wiring requirements prior to detailing field installation of any remote wiring.
PHYSICAL	MATERIALS STYLE BODY KNUCKLE CAP LENS LED COLOR MANAGEMENT OPTICS INSTALLATION HARDWARE FINISH WARRANTY CERTIFICATION & LISTING	Furnished in copper-free aluminum (6061-T6).  G style features dual bend for 45° transition from fixture to stem.  Unibody design is fully machined from solid billet and provides enclosed, water-proof wireway and integral heat sink for maximum component life. Integral knuckle for maximum mechanical strength. High temperature, silicone 'O' Ring provides water-tight seal. Anti-condensation and corrosion vent equalizes fixture pressure and eliminates potential for damage to internal components.  Patented 360HD mounting system features a mechanical taper-lock, which allows a full 180° vertical adjustment without the use of aim-limiting serrated teeth. High temperature, silicone 'O' Ring provides water-tight seal and compressive resistance to maintain fixture position. Design withstands 73 lbs. static load prior to movement to ensure decades of optical alignment. 1/2" pipe thread for mounting. Biaxial source control provides 360° horizontal rotation in addition to vertical adjustment. Aim & Lock technology allows precision adjustment without the redundant tightening and loosening of knuckle screw.  Fully machined and accommodates two (2) lens or louver media.  Shock-resistant, tempered glass lens is factory adhered to fixture cap and provides hermetically sealed optical compartment.  Integrated solid state system and modular design with electrical quick disconnects is scalable for field upgrade and maintenance. LM-80 certified. Title 24, JA8 compliant. Minimum 50,000 hour rated life at 70% of initial lumens (L70). BKSSL technology provides long life, significant energy reduction and exceptional thermal management.  Corrected cold phosphor technology delivers near-perfect natural white light. Long term phosphor maintenance over product life. Exact color point conformity exceeds ANSI C78.377 standard. Provides uniform beam with no color variation over angle. Module exceeds 80 CRI (RA>80, R9>16).  Interchangeable, color-coded OPTIKIT modules permit field changes to optical distribution.  6 1/4" dia., machined canopy permits mounting to 4" octagonal junction box. Junction box installation must be designed to hold full fulcrum weight of fixture (junction box and gasket by others). Optional safety cable with mounting canopy maintains secondary support (standard with 42" and 48" lengths).  Tamper-resistant, stainless steel hardware. LOCK aiming screw and canopy mounting screws are black oxide treated for additional corrosion resistance.  StarGuard, our 15-stage chromate-free process cleans and conversion coats aluminum components prior to application of Class 'A' TGIC polyester powder coating and is RoHS compliant. Powder coat or metal finish options available for brass material and metal finish option only for stainless steel material.  5-year limited warranty.  UL tested to IESNA LM-79. UL listed. Certified to CAN/CSA/ANSI standards. RoHS compliant. Title 24, JA8 compliant. Suitable for indoor or outdoor use, in wet locations, and for installation within 4' of the ground. IP66 Rated. Made in the USA with sustainable materials.





## LAMP & DRIVER DATA (page 2 of 2)

DATE: PROJECT: TYPE:

### OPTICS

Optic	Angle
Spot	15°
Flood	35°
Wide Flood	60°

**B-K LIGHTING**

**MADE IN THE USA**

559.438.5800 | [INFO@BKLIGHTING.COM](mailto:INFO@BKLIGHTING.COM) | [BKLIGHTING.COM](http://BKLIGHTING.COM)

THIS DOCUMENT CONTAINS PROPRIETARY INFORMATION OF B-K LIGHTING, INC. AND ITS RECEIPT OR POSSESSION DOES NOT CONVEY ANY RIGHTS TO REPRODUCE, DISCLOSE ITS CONTENTS, OR TO MANUFACTURE, USE OR SELL ANYTHING IT MAY DESCRIBE. REPRODUCTION, DISCLOSURE OR USE WITHOUT SPECIFIC WRITTEN AUTHORIZATION OF B-K LIGHTING, INC. IS STRICTLY FORBIDDEN.