

DATE:	PROJECT:	TYPE:
-------	----------	-------

CATALOG NUMBER LOGIC:

**CATALOG NUMBER LOGIC**

Example: TMB - INC - BZW - MT

MATERIAL

Aluminum

SERIES

TMB - Tenon Mount Box

CONTROL TYPE

INC - 10W TRIAC/ELV Dimming 1-100%, 120V only

010 - 10W Dimming Driver 0-10V Dimming 1-100%

FINISH

Standard Finishes (BZP, BZW, BLP, BLW, WHP, WHW, SAP, VER)

Premium Finish (ABP, AMG, AQW, BCM, BGE, BPP, CAP, CMG, CRM, HUG, NBP, OCP, RMG, SDS, SMG, TXF, WCP, WIR)

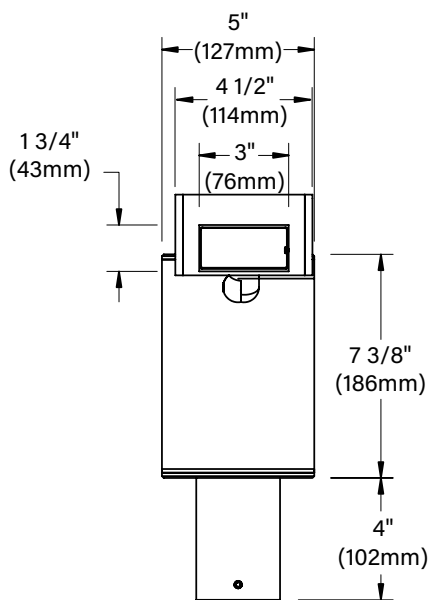
(Also available in RAL Finishes. See submittal SUB-1439-00)

INPUT VOLTAGE

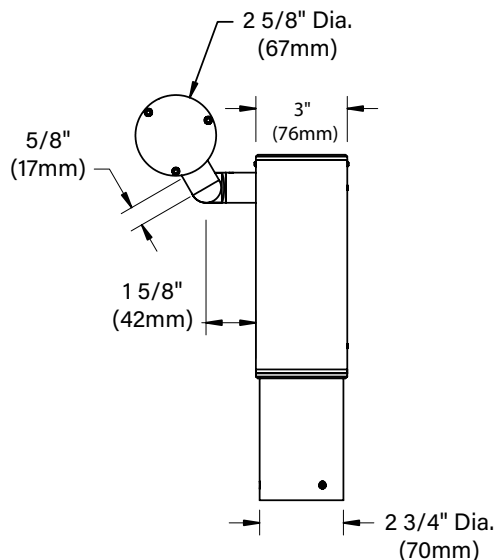
MT - 120-277 VAC

DATE: _____ PROJECT: _____ TYPE: _____

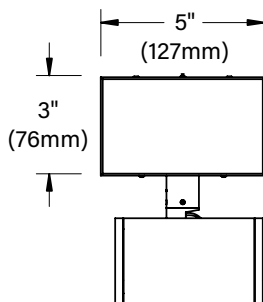
FRONT VIEW



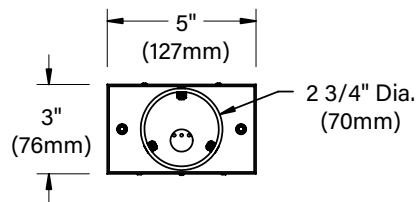
SIDE VIEW



TOP VIEW



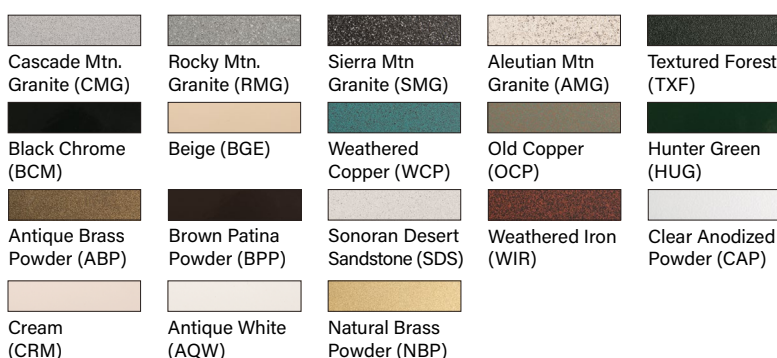
BOTTOM VIEW



STANDARD FINISHES



PREMIUM FINISHES



[Click Here](#) to view larger, full-color swatches of all available finishes on our website.

DATE:	PROJECT:	TYPE:
-------	----------	-------

ACCESSORIES (Configure separately)

SPECIFICATIONS

Electrical	WIRING / CONNECTORS DRIVER	<p>18GA, Stranded, XLPVC, 300V, 150° C rated. Pre-wired and labeled terminal strip(s).</p> <p>One (1) 350mA, Class A, constant current driver. 120-277VAC (nominal) primary input voltage, 50/60Hz. >0.9 Power Factor, 0.25A input current, .20%THD (nominal at 120VAC full load). Output over-voltage, over-current, and short circuit protection with auto recovery. INC Driver - For use with Incandescent Standard TRIAC or ELV dimmers. 1-100% range, 120V Only. 010 Driver - For use with 0-10V dimmers. 1-100% range, external controls by others.</p>
PHYSICAL	MATERIALS INSTALLATION FINISH WARRANTY CERTIFICATION & LISTING	<p>Furnished in copper-free aluminum (6061-T6).</p> <p>For mounting to 2" IPS (2-3/8" O.D.) Tenon. Removeable bottom with Neoprene gasket. 2-1/2" I.D. slip fitter. Accepts 360SL and 360HD adjustable mounting systems, allows rotational adjustment with 'O' Ring seal and tamper-resistant design.</p> <p>StarGuard, our 15-stage, chromate-free process cleans and conversion coats aluminum components prior to application of Class 'A' TGIC polyester powder coating and is RoHS compliant.</p> <p>5-year limited warranty.</p> <p>Certified to CAN/CSA/ANSI standards. UL Listed. RoHS compliant. Made in USA with sustainable processes.</p>



B-K LIGHTING

MADE IN THE USA

559.438.5800 | INFO@BKLIGHTING.COM | BKLIGHTING.COM