

DATE: PROJECT: TYPE:

CATALOG NUMBER LOGIC:



CATALOG NUMBER LOGIC

Example: SQ-RI - LED - TR - e130 - SP - BLP - 9 - 13 - 11 - C - INC - MT - TE

MATERIAL

Aluminum

SERIES

SQ-RI - Square Rio

SOURCE

LED - with Integral Dimming Driver

HOUSING

TR - Integral Driver

LED TYPE

e130 - 14W LED/2700K/80CRI e132 - 14W LED/3500K/80CRI

e131 - 14W LED/3000K/80CRI e133 - 14W LED/4000K/80CRI

e134 - 14W LED/2700K/90CRI e136 - 14W LED/3500K/90CRI

e135 - 14W LED/3000K/90CRI e137 - 14W LED/4000K/90CRI

OPTICS

VNSP - Very Narrow Spot (6°)* NSP - Narrow Spot (13°) SP - Spot (23°)

MFL - Medium Flood (34°) WFL - Wide Flood (56°)

FINISH (See page 2 for full-color swatches)

Standard Finishes (BZP, BZW, BLP, BLW, WHP, WHW, SAP, VER)

Premium Finish (ABP, AMG, AQW, BCM, BGE, BPP, CAP, CMG, CRM, HUG, NBP, OCP, RMG, SDS, SMG, TXF, WCP, WIR)

Also available in RAL Finishes

LENS TYPE**

9 - Clear (Standard)

13 - Rectilinear

SHIELDING**

11 - Honeycomb Baffle

CAP STYLE

A - 45°

B - 90°

C - Flush

D - 45° Less Weep Hole (Interior use only)

E - 90° Less Weep Hole (Interior use only)

CONTROL

ELV - Dimming Driver (For use with electronic low voltage dimmer) ***

INC - Dimming Driver (For use with incandescent dimmer) ***

010 - Dimming Driver (For use with 0-10 dimmer)

INPUT VOLTAGE

MT - 120-277 VAC

OPTIONS

TE - Tamper Resistant

*For use with VNSP, Tamper Resistant must be selected.

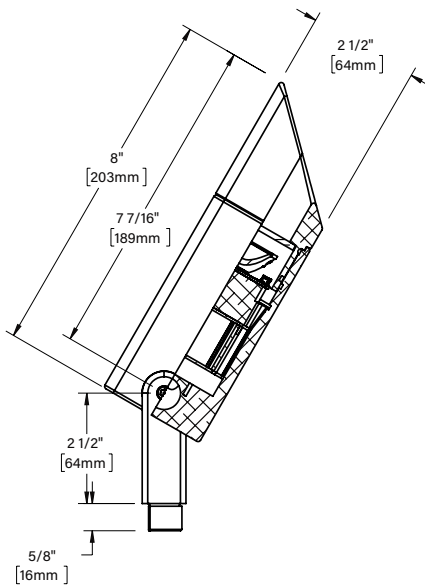
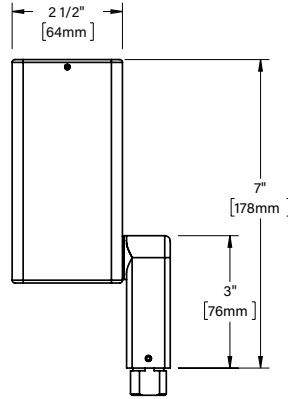
**Accommodates up to 2 lens/shielding media.

***120V only.

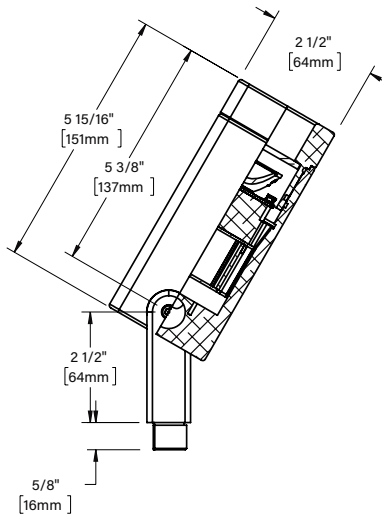
DATE: _____ PROJECT: _____ TYPE: _____

NOTES:

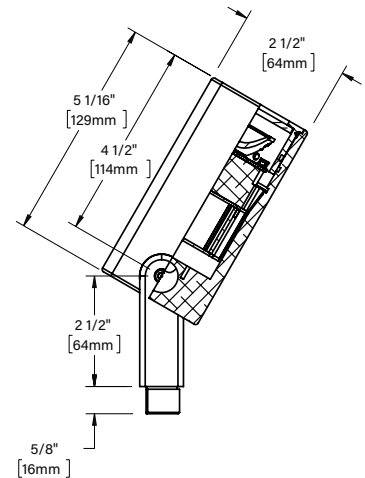
- EPA - A/D Cap ≈ .16ft²
- B/E Cap ≈ .12ft²
- C Cap ≈ .11ft²



A/D CAP



B/E CAP



C CAP

STANDARD FINISHES



PREMIUM FINISHES



[Click Here](#) to view larger, full-color swatches of all available finishes on our website.

DATE:	PROJECT:	TYPE:
-------	----------	-------

ACCESSORIES (Configure separately)

SPECIFICATIONS

ELECTRICAL	WATTAGE	14W LED
	WIRING	18GA Stranded, XLPE, 150°C, 600V wire.
	DRIVER	With one (1) 440mA, Class II, constant current integral driver. 50/60Hz. >0.9 Power Factor, 5A in-rush current (typical at 120VAC), ≤20%THD (nominal at 120VAC full load). Output over-voltage, over-current, and short circuit protection with auto recovery. Dimming driver for use with 0-10V(≤3-100% range), Incandescent or ELV dimmers (1-100% dimming range). *INC/ELV dimming at 120VAC only
PHYSICAL	MATERIALS	Furnished in copper-free aluminum (6061-T6)
	BODY	Unibody design is fully machined from solid billet and provides enclosed, water-proof wireway and integral heat sink for maximum component life. Integral knuckle for maximum mechanical strength. High temperature, silicone 'O' Ring provides water-tight seal.
	CAP	Fully machined and offered with both tool-less and tamper-resistant options. For VN5P, Tamper Resistant must be selected. One (1) set screw will be present to secure the cap.
	LENS	Shock resistant, tempered, 1/8" thick soda lime glass lens is factory adhered to fixture cap and provides hermetically sealed optical compartment.
	LED	Integrated solid state system and modular design with electrical disconnects allow for easy field upgrade and maintenance. High power, forward throw source complies with ANSI C78.377 binning requirements and exceeds ENERGY STAR® lumen maintenance requirements.
	WARRANTY CERTIFICATION AND LISTING	5-year limited warranty. UL tested to IESNA LM-79. UL Listed. Certified to CAN/CSA/ANSI Standards. RoHS compliant. Suitable for indoor or outdoor use, in wet locations and for installation within 4' of the ground. IP66 Rated. Made in USA with sustainable processes.



LAMP & DRIVER DATA

DATE: _____ PROJECT: _____ TYPE: _____

LM79 DATA FORMAT

OPTICAL DATA

LM79 DATA	CCT (Typ.)	CRI (Typ.)	Input Watts (Typ.)	Minimum Rated Life (hrs.) 70% of Initial Lumens (L70)	Angle	CBCP	Delivered Lumens	Multiplier
e130	2700K	80	14W	50,000	6	37,868	781	0.97
e130	2700K	80	14W	50,000	13	11,467	811	0.97
e130	2700K	80	14W	50,000	23	2,874	698	0.97
e130	2700K	80	14W	50,000	34	1,631	704	0.97
e130	2700K	80	14W	50,000	56	822	752	0.97
e131	3000K	80	14W	50,000	6	37,498	774	0.96
e131	3000K	80	14W	50,000	13	11,355	803	0.96
e131	3000K	80	14W	50,000	23	2,846	692	0.96
e131	3000K	80	14W	50,000	34	1,615	697	0.96
e131	3000K	80	14W	50,000	56	814	745	0.96
e132	3500K	80	14W	50,000	6	39,718	819	1.01
e132	3500K	80	14W	50,000	13	12,027	851	1.01
e132	3500K	80	14W	50,000	23	3,015	733	1.01
e132	3500K	80	14W	50,000	34	1,710	739	1.01
e132	3500K	80	14W	50,000	56	862	789	1.01
e133	4000K	80	14W	50,000	6	39,163	808	1.00
e133	4000K	80	14W	50,000	13	11,859	839	1.00
e133	4000K	80	14W	50,000	23	2,973	722	1.00
e133	4000K	80	14W	50,000	34	1,687	728	1.00
e133	4000K	80	14W	50,000	56	850	778	1.00
e134	2700K	90	14W	50,000	6	31,302	646	0.87
e134	2700K	90	14W	50,000	13	9,479	670	0.87
e134	2700K	90	14W	50,000	23	2,376	577	0.87
e134	2700K	90	14W	50,000	34	1,348	582	0.87
e134	2700K	90	14W	50,000	56	679	622	0.87
e135	3000K	90	14W	50,000	6	34,355	709	0.96
e135	3000K	90	14W	50,000	13	10,403	736	0.96
e135	3000K	90	14W	50,000	23	2,608	634	0.96
e135	3000K	90	14W	50,000	34	1,480	639	0.96
e135	3000K	90	14W	50,000	56	745	682	0.96
e136	3500K	90	14W	50,000	6	36,204	747	1.01
e136	3500K	90	14W	50,000	13	10,963	775	1.01
e136	3500K	90	14W	50,000	23	2,748	668	1.01
e136	3500K	90	14W	50,000	34	1,559	673	1.01
e136	3500K	90	14W	50,000	56	785	719	1.01
e137	4000K	90	14W	50,000	6	35,880	740	1.00
e137	4000K	90	14W	50,000	13	10,865	768	1.00
e137	4000K	90	14W	50,000	23	2,723	662	1.00
e137	4000K	90	14W	50,000	34	1,545	667	1.00
e137	4000K	90	14W	50,000	56	778	712	1.00

B-K LIGHTING

MADE IN THE USA

559.438.5800 | INFO@BKLIGHTING.COM | BKLIGHTING.COM

THIS DOCUMENT CONTAINS PROPRIETARY INFORMATION OF B-K LIGHTING, INC. AND ITS RECEIPT OR POSSESSION DOES NOT CONVEY ANY RIGHTS TO REPRODUCE, DISCLOSE ITS CONTENTS, OR TO MANUFACTURE, USE OR SELL ANYTHING IT MAY DESCRIBE. REPRODUCTION, DISCLOSURE OR USE WITHOUT SPECIFIC WRITTEN AUTHORIZATION OF B-K LIGHTING, INC. IS STRICTLY FORBIDDEN.

DATE:

PROJECT:

TYPE:

OPTICS

Optic	Angle
Very Narrow Spot	6°
Very Narrow Spot w/ 13	7 x 35
Narrow Spot	13°
Narrow Spot w/ 13	13 x 53
Spot	23°
Medium Flood	34°
Wide Flood	56°

B-K LIGHTING

MADE IN THE USA

559.438.5800 | INFO@BKLIGHTING.COM | BKLIGHTING.COM

THIS DOCUMENT CONTAINS PROPRIETARY INFORMATION OF B-K LIGHTING, INC. AND ITS RECEIPT OR POSSESSION DOES NOT CONVEY ANY RIGHTS TO REPRODUCE, DISCLOSE ITS CONTENTS, OR TO MANUFACTURE, USE OR SELL ANYTHING IT MAY DESCRIBE. REPRODUCTION, DISCLOSURE OR USE WITHOUT SPECIFIC WRITTEN AUTHORIZATION OF B-K LIGHTING, INC. IS STRICTLY FORBIDDEN.