

DATE: _____ PROJECT: _____ TYPE: _____

CATALOG NUMBER LOGIC:



Anchor kit may be shipped ahead upon request.

*Yields up to 60% loss in output.

**Two selections required. Two prices required.

***120V only

CATALOG NUMBER LOGIC

Example: YKB - 42 - LED - TR - A2780 - BLP - SD - B1 - RE1/RE2 - INC - MT

MATERIAL

Aluminum

SERIES

YKB - Yukon Bollard

OVERALL HEIGHT

42 - 42"

SOURCE

LED - Linear Array

HOUSING

TR - Integral Driver

LED TYPE

A2780 - 12W/2700K/80CRI A2790 - 12W/2700K/90CRI

A3080 - 12W/3000K/80CRI A3090 - 12W/3000K/90CRI

A3580 - 12W/3500K/80CRI A3590 - 12W/3500K/90CRI

A4080 - 12W/4000K/80CRI A4090 - 12W/4000K/90CRI

FINISH (See page 2 for full-color swatches)

Standard Finishes (BZP, BZW, BLP, BLW, WHP, WHW, SAP, VER)

Premium Finish (ABP, AMG, AQW, BCM, BGE, BPP, CAP, CMG, CRM, HUG, NBP, OCP, RMG, SDS, SMG, TXF, WCP, WIR)

Also available in RAL Finishes

FACEPLATE

SD - Standard

LD - Louvered

BACKPLATE

B1 - Stepped (For use with SD Faceplate)

B2 - Curved (For use with SD and LD Faceplate)

BACKPLATE FINISH

(Blank) - Backplate finish matches faceplate finish

BLW - Black Wrinkle finish for glare reduction*

RECEPTACLE**

(Blank) - No Receptacle

RE1 - Receptacle 20A GFCI

RE2 - Receptacle w/ 1-A-USB and 1-C-USB port

CONTROL TYPE

ELV - Dimming Driver (For use with Electronic Low Voltage Dimmer)***

INC - Dimming Driver (For use with Incandescent Dimmer)***

010 - 0-10V Dimming Driver

INPUT VOLTAGE

MT - 120-277 VAC Input

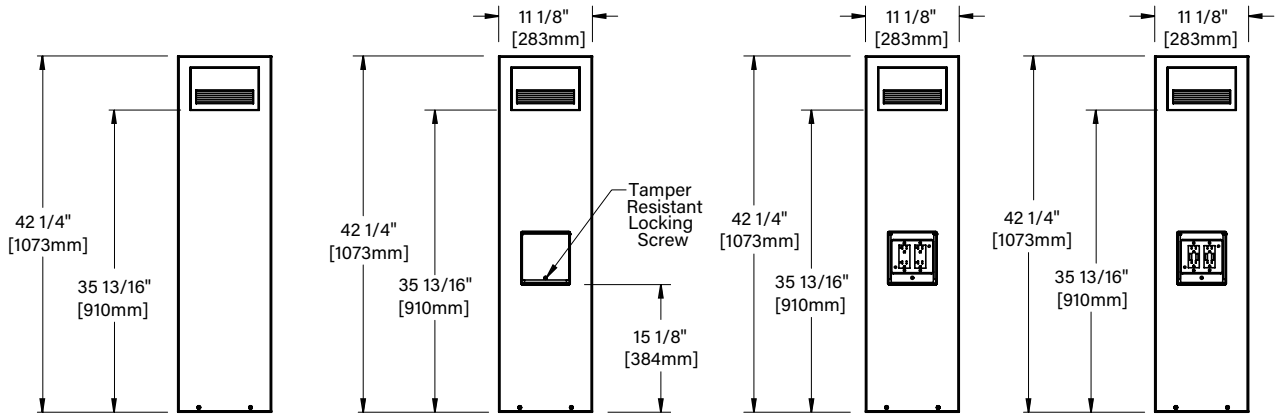
DATE:

PROJECT:

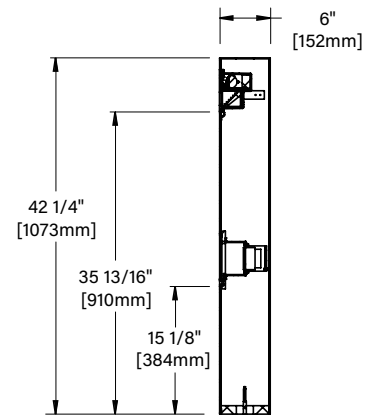
TYPE:

FRONT VIEW

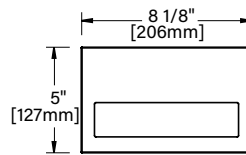
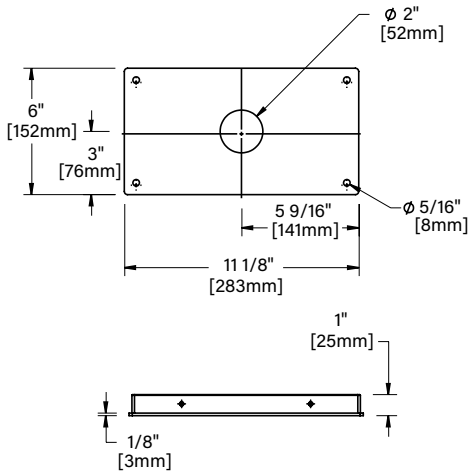
(RE1 Shown with Duplex-GFCI) (RE2 Shown with Duplex-Dual with USB)



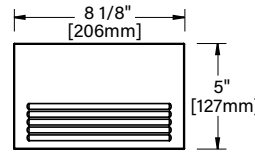
SIDE VIEW



STANDARD ANCHOR BASE MOUNTING



SD - Standard



LD - Louvered

FIXTURE WEIGHT ≈ 27lbs

STANDARD FINISHES



PREMIUM FINISHES



[Click Here](#) to view larger, full-color swatches of all available finishes on our website.

DATE:	PROJECT:	TYPE:
-------	----------	-------

ACCESSORIES (Configure separately)

SPECIFICATIONS

ELECTRICAL	WATTAGE	12W
	OPERATING VOLTAGE	120-277 VAC
	WIRING	Fixture factory pre-wired with 18GA Stranded, XLPE, 150°C, 600V wire / RE1 & RE2 - 12GA, Solid Copper Wire, PVC Coated, 90C, 600V.
	DRIVER	440mA, Class II, constant current integral driver. 50/60 Hz. >0.9 Power Factor, 5A in-rush current(typical at 120 VAC), ≤20%THD (nominal at 120 VAC full load). Output over-voltage, over-current, and short circuit protection with auto recovery. Dimming driver for use with 0-10V, Incandescent, or ELV dimmers. ***INC/ELV dimming at 120 VAC only. 1-100% range for all dimming options.
PHYSICAL	FACEPLATE	Fully machined. Furnished in copper-free aluminum (6061-T6).
	HOUSING	11"x6"x1/8" wall constructed of heavy gauge, die-formed, 5052 aluminum.
	IN-USE RECEPTACLE COVER	Furnished in copper-free aluminum (6061-T6).
	RE1 - RECEPTACLE 20A	GFCI, 20 Amp, 125 Volt, NEMA 5-20R, 2P, 3W Duplex Receptacle with Tamper Resistant Locking Screw.
	RE2 - RECEPTACLE W/ 1 USB-A AND 1 USB-C PORT	Combination Ports, One Type A, One Type C, Weather and Tamper Resistant 15A/125V Duplex, 5 Amp, 5 Volts USB Ports.
	INSTALLATION	11"x6" black anodized aluminum base with galvanized steel anchor plate and 18" steel threaded rods. For use in poured concrete footing.
	HARDWARE	Tamper-resistant, stainless steel hardware.
	WARRANTY	5 year limited warranty.
CERTIFICATION AND LISTING	UL tested to IESNA LM-79. UL Listed. Certified to CAN/CSA/ANSI Standards. ADA compliant in-use receptacle. RoHS compliant. Suitable for indoor or outdoor use. Suitable for use in wet locations. IP66 Rated. Made in USA.	



LAMP & DRIVER DATA (YUKON BOLLARD)

DATE: _____ PROJECT: _____ TYPE: _____

DRIVER DATA	Type	AC Input Range	Frequency Hz	Power Factor at Full Load (Efficiency)	THD	In Rush Current	Operating Current	Operation Ambient Temperature	Dimmer Type	Dimmer Range
	Integral	120-277VAC	50/60	>0.9	≤20%	120VAC - 5A	440mA		INC/ELV/0-10	1-100%

LM79 DATA

BK No.	CCT (Typ.)	CRI (Typ.)	Input Watts (Typ.)	L70 Data
A2780	2700	80	12	50,000
A2790	2700	90	12	50,000
A3080	3000	80	12	50,000
A3090	3000	90	12	50,000
A3580	3500	80	12	50,000
A3590	3500	90	12	50,000
A4080	4000	80	12	50,000
A4090	4000	90	12	50,000
A2780	2700	80	12	50,000
A2790	2700	90	12	50,000
A3080	3000	80	12	50,000
A3090	3000	90	12	50,000
A3580	3500	80	12	50,000
A3590	3500	90	12	50,000
A4080	4000	80	12	50,000
A4090	4000	90	12	50,000
A2780	2700	80	12	50,000
A2790	2700	90	12	50,000
A3080	3000	80	12	50,000
A3090	3000	90	12	50,000
A3580	3500	80	12	50,000
A3590	3500	90	12	50,000
A4080	4000	80	12	50,000
A4090	4000	90	12	50,000
A2780	2700	80	12	50,000
A2790	2700	90	12	50,000
A3080	3000	80	12	50,000
A3090	3000	90	12	50,000
A3580	3500	80	12	50,000
A3590	3500	90	12	50,000
A4080	4000	80	12	50,000
A4090	4000	90	12	50,000

OPTICAL DATA

LED Orientation	Backplate	Faceplate	Roadway Class	BUG	Del. Lumens	Multiplier
0°	B1	SD	Type IV	B0 U3 G1	380.9	0.92
0°	B1	SD	Type IV	B0 U3 G1	316.1	0.83
0°	B1	SD	Type IV	B0 U3 G1	389.2	0.95
0°	B1	SD	Type IV	B0 U3 G1	323.0	0.83
0°	B1	SD	Type IV	B0 U3 G1	401.6	1.01
0°	B1	SD	Type IV	B0 U3 G1	333.3	0.83
0°	B1	SD	Type IV	B0 U3 G1	414.0	
0°	B1	SD	Type IV	B0 U3 G1	343.6	0.83
30°	B1	SD	Type III	B0 U3 G1	361.6	0.92
30°	B1	SD	Type III	B0 U3 G1	300.1	0.83
30°	B1	SD	Type III	B0 U3 G1	369.4	0.95
30°	B1	SD	Type III	B0 U3 G1	306.6	0.83
30°	B1	SD	Type III	B0 U3 G1	381.2	1.01
30°	B1	SD	Type III	B0 U3 G1	316.4	0.83
30°	B1	SD	Type III	B0 U3 G1	393.0	
30°	B1	SD	Type III	B0 U3 G1	326.2	0.83
60°	B1	SD	Type III	B0 U3 G1	252.1	0.92
60°	B1	SD	Type III	B0 U3 G1	209.2	0.83
60°	B1	SD	Type III	B0 U3 G1	257.6	0.95
60°	B1	SD	Type III	B0 U3 G1	213.8	0.83
60°	B1	SD	Type III	B0 U3 G1	265.8	1.01
60°	B1	SD	Type III	B0 U3 G1	220.6	0.83
60°	B1	SD	Type III	B0 U3 G1	274.0	
60°	B1	SD	Type III	B0 U3 G1	227.4	0.83
0°	B1	SD	Type III	B0 U3 G1	320.2	0.92
0°	B1	SD	Type III	B0 U3 G1	265.7	0.83
0°	B1	SD	Type III	B0 U3 G1	327.1	0.95
0°	B1	SD	Type III	B0 U3 G1	271.5	0.83
0°	B1	SD	Type III	B0 U3 G1	337.6	1.01
0°	B1	SD	Type III	B0 U3 G1	280.2	0.83
0°	B1	SD	Type III	B0 U3 G1	348.0	
0°	B1	SD	Type III	B0 U3 G1	288.8	0.83

LAMP & DRIVER DATA (YUKON BOLLARD)

DATE:

PROJECT:

TYPE:

LM79 DATA

BK No.	CCT (Typ.)	CRI (Typ.)	Input Watts (Typ.)	L70 Data
A2780	2700	80	12	50,000
A2790	2700	90	12	50,000
A3080	3000	80	12	50,000
A3090	3000	90	12	50,000
A3580	3500	80	12	50,000
A3590	3500	90	12	50,000
A4080	4000	80	12	50,000
A4090	4000	90	12	50,000
A2780	2700	80	12	50,000
A2790	2700	90	12	50,000
A3080	3000	80	12	50,000
A3090	3000	90	12	50,000
A3580	3500	80	12	50,000
A3590	3500	90	12	50,000
A4080	4000	80	12	50,000
A4090	4000	90	12	50,000

OPTICAL DATA

LED Orientation	Backplate	Faceplate	Roadway Class	BUG	Del. Lumens	Multiplier
0°	B2	SD	Type IV	B0 U3 G1	442.5	0.92
0°	B2	SD	Type IV	B0 U3 G1	367.3	0.83
0°	B2	SD	Type IV	B0 U3 G1	452.1	0.95
0°	B2	SD	Type IV	B0 U3 G1	375.3	0.83
0°	B2	SD	Type IV	B0 U3 G1	466.6	1.01
0°	B2	SD	Type IV	B0 U3 G1	387.3	0.83
0°	B2	SD	Type IV	B0 U3 G1	481.0	
0°	B2	SD	Type IV	B0 U3 G1	399.2	0.83
0°	B2	LD	Type III	B0 U2 G1	219.9	0.92
0°	B2	LD	Type III	B0 U2 G1	182.5	0.83
0°	B2	LD	Type III	B0 U2 G1	224.7	0.95
0°	B2	LD	Type III	B0 U2 G1	186.5	0.83
0°	B2	LD	Type III	B0 U2 G1	231.8	1.01
0°	B2	LD	Type III	B0 U2 G1	192.4	0.83
0°	B2	LD	Type III	B0 U2 G1	239.0	
0°	B2	LD	Type III	B0 U2 G1	198.4	0.83

B-K LIGHTING

MADE IN THE USA

559.438.5800 | INFO@BKLIGHTING.COM | BKLIGHTING.COM

THIS DOCUMENT CONTAINS PROPRIETARY INFORMATION OF B-K LIGHTING, INC. AND ITS RECEIPT OR POSSESSION DOES NOT CONVEY ANY RIGHTS TO REPRODUCE, DISCLOSE ITS CONTENTS, OR TO MANUFACTURE, USE OR SELL ANYTHING IT MAY DESCRIBE. REPRODUCTION, DISCLOSURE OR USE WITHOUT SPECIFIC WRITTEN AUTHORIZATION OF B-K LIGHTING, INC. IS STRICTLY FORBIDDEN.