

DATE:	PROJECT:	TYPE:
-------	----------	-------

CATALOG NUMBER LOGIC:



*Lamp details available on the 3rd page.

**Select up to 2 for RD. Accessory Holder required.

***Aluminum only.

CATALOG NUMBER LOGIC

Example: B - HP2 - AR - RD - 36 - MIT - 10 - 11 - 277 - AH

MATERIAL

(Blank) - Aluminum B - Brass S - Stainless Steel

SERIES

HP2 - In-grade with Flush Mounted Faceplate

OptiLock®

AR - PAR36 or AR111

HOUSING

TR - Integral Transformer

LAMP TYPE

0 - Sourced by Others

PAR36 or AR111 (This choice requires lamp number selection)*

FINISH (See page 2 for full-color swatches)

Standard Finishes (BZP, BZW, BLP, BLW, WHP, WHW, SAP, VER)

Premium Finish (ABP, AMG, AQW, BCM, BGE, BPP, CAP, CMG, CRM, HUG, NBP, OCP, RMG, SDS, SMG, TXF, WCP, WIR)

Also available in RAL Finishes

Brass Finishes (MAC, POL, MIT)

Stainless Steel Finishes (MAC, POL)

ACCESSORY**

10 - Spread Lens

11 - Honeycomb Baffle

12 - Soft Focus Lens

13 - Rectilinear Lens

INPUT VOLTAGE

120 or 277

OPTIONS

AH - Accessory Holder

TC - Traction Control Lens

GM-R - Round Grout Mask

GM-S - Square Grout Mask

GS - Glare Shield***

HD - Half Dome***

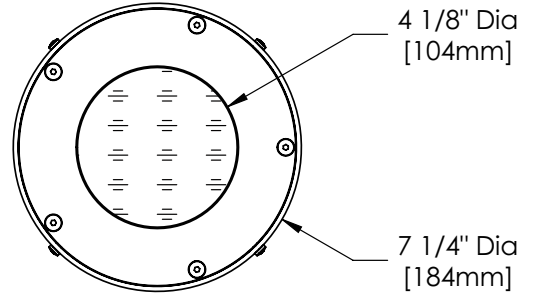
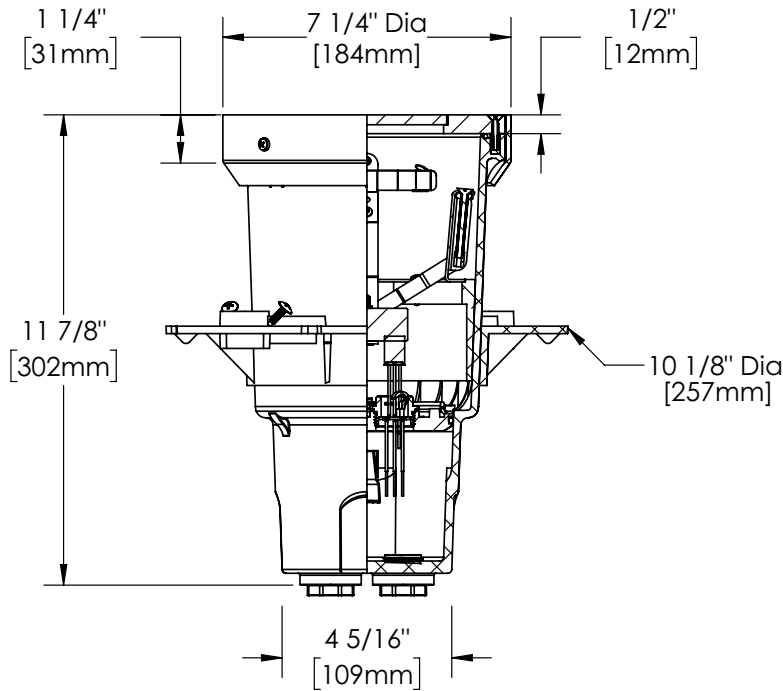
RG - Rock Guard***

RO - Rock Guard with Optical Opening***

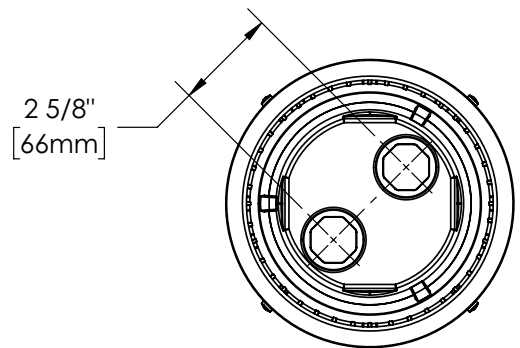
DATE:

PROJECT:

TYPE:



TOP VIEW

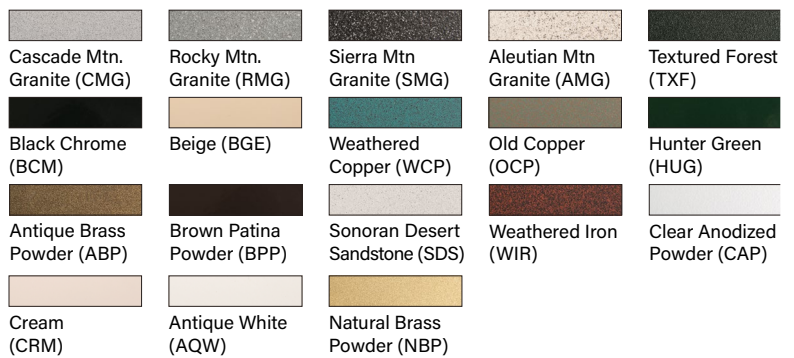


BOTTOM VIEW

STANDARD FINISHES



PREMIUM FINISHES



[Click Here](#) to view larger, full-color swatches of all available finishes on our website.

PAR36/AR111

DATE: PROJECT: TYPE:

CATALOG NUMBER LOGIC:



AR111 Lamp



Par36 Lamp

LAMP TYPE

0 - Furnished by Others

PAR36 LAMP TYPE

400 - 20PAR36/WFL30 (20W) 30° W. Flood

401 - 36PAR36/VNSP5 (36W) 5° V.N. Spot

402 - 36PAR36/NSP13 (36W) 13° N. Spot

403 - 36PAR36/WFL30 (36W) 30° Wide Flood

404 - 50PAR36/NSP6 (50W) 6° N. Spot

405 - 50PAR36/WFL30 (50W) 30° W. Flood

AR111 LAMP TYPE

35 - 35AR111/VNSP (35W) 4° V.N. Spot

36 - 35AR111/NSP (35W) 8° N. Spot

37 - 35AR111/FL (35W) 25° Flood

38 - 50AR111/VNSP (50W) 4° V.N. Spot

39 - 50AR111/NSP (50W) 8° N. Spot

40 - 50AR111/FL (50W) 25° Flood

41 - 75AR111/NSP (75W) 8° N. Spot

42 - 75AR111/FL (75W) 25° Flood

43 - 75AR111/WFL (75W) 45° W. Flood

DATE:	PROJECT:	TYPE:
-------	----------	-------

ACCESSORIES (Configure separately)

SPECIFICATIONS

ELECTRICAL	WATTAGE	PAR-36 = 50W Max. - AR-111 =75W Max.
	WIRING / CONNECTORS	XLPE coated wire, 18 gauge, 300V, 125°C rated and certified to UL3265 standard. Features OptiLock® and gear tray quick disconnects. Patented HydroLock® with three (3) Water-Tight connectors supplied for incoming connection. Maximum (2) #10 & (1) #18. Minimum (1) #12 & (1) #18.
	TRANSFORMER ASSEMBLY	Integral 75VA, Class H insulated low voltage magnetic transformer. 120VAC to 12VAC or 277VAC to 12VAC. Integral, removable gear tray with quick disconnect and carrying handle.
PHYSICAL	MATERIALS	Furnished in copper-free aluminum (6061-T6), brass (360), or stainless steel (304).
	FIXTURE HOUSING	Corrosion-free, high strength, flame retardant and UV stabilized, injected molded polycarbonate. Two (2) bottom-entry, 3/4" NPT female conduit entries with knockout plugs and four (4) side flats for 1/2" or 3/4" conduit adapters.
	PATENTED STABILITY FLANGE	Corrosion-free composite flange projects into installation substrate to reinforce housing stability. Integral REBAR saddles simplify installation into concrete form. Four (4) orthogonal bosses permit use of 1/2" PCV conduit or EMT to simplify vertical position and leveling of housing. Preset self-tapping screws anchor housing at proper elevation.
	AIMING	Dual axis OptiLock® stainless steel aiming bracket rotates 360° and provides vertical adjustment up to 35° from nadir. Positive lock action eliminates need for adjustment.
	INSTALLATION	Integral, copper-free aluminum concrete pour collar (CPC), furnished in black finish, permits for direct burial in soil or concrete. Consult Drainage Installation Guide for In-Grade Fixtures (DIG-IT) for compliance with proper soil preparation and drainage requirements prior to installation.
	WATER MANAGEMENT	High temperature silicone 'O' Ring at faceplate. HydroLock® technology provides fail-safe water barrier between junction box and interior components. IP68 rated.
	LENS	High heat, Shock-resistant, 1/4" Tempered Soda Lime glass lens.
	FACEPLATE	Solid, 1/2" machined 6061-T6 aluminum with five (5) black oxide, captive, stainless steel mounting screws.
	FINISH	StarGuard, our 15-stage chromate-free process cleans and conversion coats aluminum components prior to application of Class 'A' TGIC polyester powder coating and is RoHS compliant. Brass components are available in powder coat or handcrafted metal finish. Stainless steel components are only available in handcrafted metal finish.
	WARRANTY	5-year limited warranty.
CERTIFICATION & LISTING	UL Listed. Certified to CAN/CSA/ANSI standards. RoHS compliant. IP68 Rated. Made in the USA with sustainable processes.	

