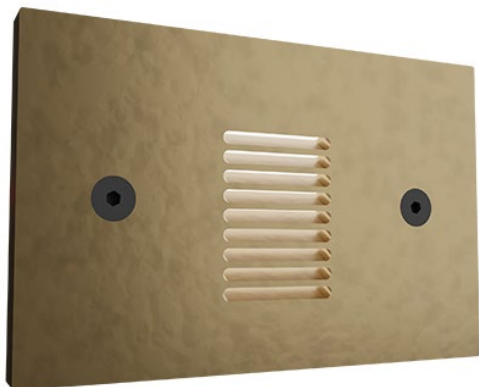


DATE: PROJECT: TYPE:

CATALOG NUMBER LOGIC:



\*Lamp details available on the 3rd page.

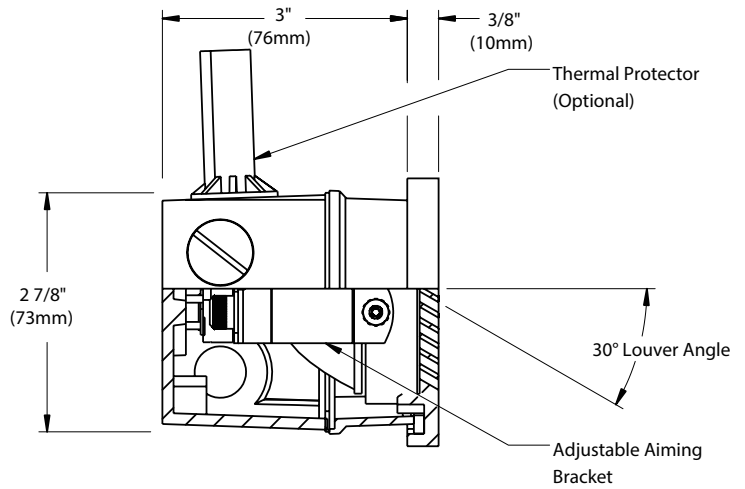
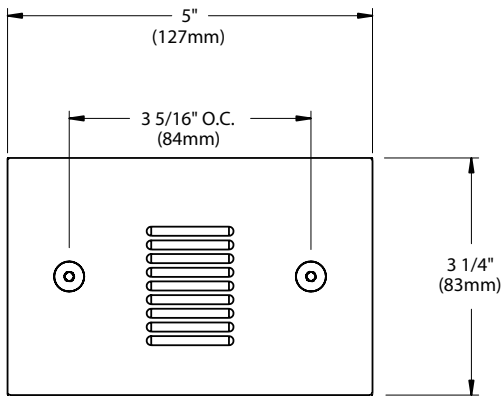
\*\*For use in Back Box installation only.

<b>CATALOG NUMBER LOGIC</b>
Example: S - BQL - MR - 0 - POL - D - TP
<b>MATERIAL</b>
(Blank) - Aluminum B - Brass S - Stainless Steel
<b>INSTALLATION</b>
Blank - Back Box
<b>SERIES</b>
BQL - Louvered Brick Star
<b>SOURCE</b>
MR - MR16 LED Lamp
<b>LAMP TYPE</b>
0 - MR16 HALOGEN LAMP (Furnished by others)
MR16 LED (This choice requires lamp number selection)*
<b>FINISH (See page 2 for full-color swatches)</b>
Standard Finishes (BZP, BZW, BLP, BLW, WHP, WHW, SAP, VER)
Premium Finish (ABP, AMG, AQW, BCM, BGE, BPP, CAP, CMG, CRM, HUG, NBP, OCP, RMG, SDS, SMG, TXF, WCP, WIR)
Also available in RAL Finishes
Brass Finishes (MAC, POL, MIT)
Stainless Steel Finishes (MAC, POL)
<b>LOUVER</b>
D - Rectangular, 30°
<b>OPTIONS</b>
TP - Thermal Protection (20W Max. Lamp)**

DATE:

PROJECT:

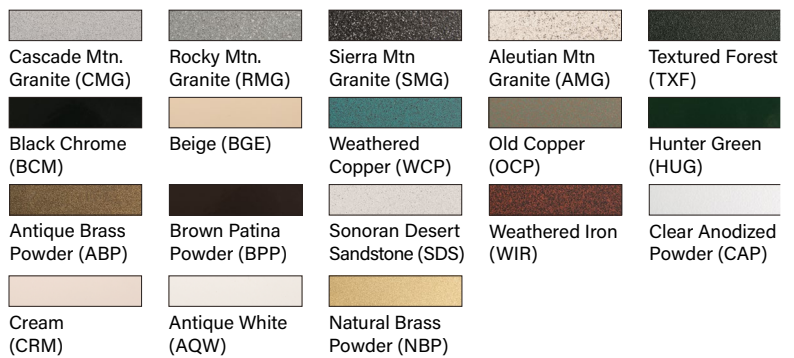
TYPE:



**STANDARD FINISHES**



**PREMIUM FINISHES**

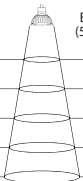


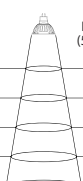




[Click Here](#) to view larger, full-color swatches of all available finishes on our website.



By SORAA™

# MR16 LED LAMP

<p><b>B-K Lamp # 359</b>            Base: GU5.3 Bi-Pin            Input Voltage: 12V            CCT: 2700K            Beam: 10° Spot</p>	<p>Mfg. #: MR16-            SM16-07-10D-827-H1            Wattage: 7.5W            Lamp Efficacy: 77 (Lm/W)            Rated Life: 35,000 hrs</p>	<p>CBCP (cd): 8000            CRI: &gt;90            Power Factor: 0.92            Dimmable: Yes            Lumens: 575</p>	 <table border="1"> <thead> <tr> <th>Distance feet</th> <th>Beam Dia. (50% CBCP)</th> <th>Footcandles</th> </tr> </thead> <tbody> <tr><td>3'</td><td>0.5'</td><td>634</td></tr> <tr><td>6'</td><td>1.0'</td><td>160</td></tr> <tr><td>9'</td><td>1.6'</td><td>69</td></tr> <tr><td>12'</td><td>2.1'</td><td>40</td></tr> <tr><td>15'</td><td>2.6'</td><td>23</td></tr> </tbody> </table>	Distance feet	Beam Dia. (50% CBCP)	Footcandles	3'	0.5'	634	6'	1.0'	160	9'	1.6'	69	12'	2.1'	40	15'	2.6'	23
Distance feet	Beam Dia. (50% CBCP)	Footcandles																			
3'	0.5'	634																			
6'	1.0'	160																			
9'	1.6'	69																			
12'	2.1'	40																			
15'	2.6'	23																			
<p><b>B-K Lamp # 361</b>            Base: GU5.3 Bi-Pin            Input Voltage: 12V            CCT: 2700K            Beam: 25° Narrow Flood</p>	<p>Mfg. #: MR16-            SM16-07-25D-827-H1            Wattage: 7.5W            Lamp Efficacy: 80 (Lm/W)            Rated Life: 35,000 hrs</p>	<p>CBCP (cd): 3170            CRI: &gt;90            Power Factor: 0.92            Dimmable: Yes            Lumens: 600</p>	 <table border="1"> <thead> <tr> <th>Distance feet</th> <th>Beam Dia. (50% CBCP)</th> <th>Footcandles</th> </tr> </thead> <tbody> <tr><td>3'</td><td>1.3'</td><td>251</td></tr> <tr><td>6'</td><td>2.7'</td><td>63</td></tr> <tr><td>9'</td><td>4.0'</td><td>27</td></tr> <tr><td>12'</td><td>5.3'</td><td>16</td></tr> <tr><td>15'</td><td>6.7'</td><td>9</td></tr> </tbody> </table>	Distance feet	Beam Dia. (50% CBCP)	Footcandles	3'	1.3'	251	6'	2.7'	63	9'	4.0'	27	12'	5.3'	16	15'	6.7'	9
Distance feet	Beam Dia. (50% CBCP)	Footcandles																			
3'	1.3'	251																			
6'	2.7'	63																			
9'	4.0'	27																			
12'	5.3'	16																			
15'	6.7'	9																			
<p><b>B-K Lamp # 362</b>            Base: GU5.3 Bi-Pin            Input Voltage: 12V            CCT: 2700K            Beam: 36° Flood</p>	<p>Mfg. #: MR16-            SM16-07-36D-827-H1            Wattage: 7.5W            Lamp Efficacy: 80 (Lm/W)            Rated Life: 35,000 hrs</p>	<p>CBCP (cd): 1550            CRI: &gt;90            Power Factor: 0.92            Dimmable: Yes            Lumens: 600</p>	 <table border="1"> <thead> <tr> <th>Distance feet</th> <th>Beam Dia. (50% CBCP)</th> <th>Footcandles</th> </tr> </thead> <tbody> <tr><td>3'</td><td>1.9'</td><td>119</td></tr> <tr><td>6'</td><td>3.9'</td><td>30</td></tr> <tr><td>9'</td><td>5.8'</td><td>13</td></tr> <tr><td>12'</td><td>7.8'</td><td>7</td></tr> <tr><td>15'</td><td>9.7'</td><td>4</td></tr> </tbody> </table>	Distance feet	Beam Dia. (50% CBCP)	Footcandles	3'	1.9'	119	6'	3.9'	30	9'	5.8'	13	12'	7.8'	7	15'	9.7'	4
Distance feet	Beam Dia. (50% CBCP)	Footcandles																			
3'	1.9'	119																			
6'	3.9'	30																			
9'	5.8'	13																			
12'	7.8'	7																			
15'	9.7'	4																			
<p><b>B-K Lamp # 363</b>            Base: GU5.3 Bi-Pin            Input Voltage: 12V            CCT: 3000K            Beam: 10° Spot</p>	<p>Mfg. #: MR16-            SM16-07-10D-830-H1            Wattage: 7.5W            Lamp Efficacy: 80 (Lm/W)            Rated Life: 35,000 hrs</p>	<p>CBCP (cd): 8400            CRI: &gt;90            Power Factor: 0.92            Dimmable: Yes            Lumens: 600</p>	 <table border="1"> <thead> <tr> <th>Distance feet</th> <th>Beam Dia. (50% CBCP)</th> <th>Footcandles</th> </tr> </thead> <tbody> <tr><td>3'</td><td>0.5'</td><td>666</td></tr> <tr><td>6'</td><td>1.0'</td><td>168</td></tr> <tr><td>9'</td><td>1.6'</td><td>72</td></tr> <tr><td>12'</td><td>2.1'</td><td>42</td></tr> <tr><td>15'</td><td>2.6'</td><td>24</td></tr> </tbody> </table>	Distance feet	Beam Dia. (50% CBCP)	Footcandles	3'	0.5'	666	6'	1.0'	168	9'	1.6'	72	12'	2.1'	42	15'	2.6'	24
Distance feet	Beam Dia. (50% CBCP)	Footcandles																			
3'	0.5'	666																			
6'	1.0'	168																			
9'	1.6'	72																			
12'	2.1'	42																			
15'	2.6'	24																			
<p><b>B-K Lamp # 365</b>            Base: GU5.3 Bi-Pin            Input Voltage: 12V            CCT: 3000K            Beam: 25° Narrow Flood</p>	<p>Mfg. #: MR16-            SM16-07-25D-830-H1            Wattage: 7.5W            Lamp Efficacy: 84 (Lm/W)            Rated Life: 35,000 hrs</p>	<p>CBCP (cd): 3300            CRI: &gt;90            Power Factor: 0.92            Dimmable: Yes            Lumens: 630</p>	 <table border="1"> <thead> <tr> <th>Distance feet</th> <th>Beam Dia. (50% CBCP)</th> <th>Footcandles</th> </tr> </thead> <tbody> <tr><td>3'</td><td>1.3'</td><td>266</td></tr> <tr><td>6'</td><td>2.7'</td><td>67</td></tr> <tr><td>9'</td><td>4.0'</td><td>29</td></tr> <tr><td>12'</td><td>5.3'</td><td>17</td></tr> <tr><td>15'</td><td>6.7'</td><td>10</td></tr> </tbody> </table>	Distance feet	Beam Dia. (50% CBCP)	Footcandles	3'	1.3'	266	6'	2.7'	67	9'	4.0'	29	12'	5.3'	17	15'	6.7'	10
Distance feet	Beam Dia. (50% CBCP)	Footcandles																			
3'	1.3'	266																			
6'	2.7'	67																			
9'	4.0'	29																			
12'	5.3'	17																			
15'	6.7'	10																			
<p><b>B-K Lamp # 366</b>            Base: GU5.3 Bi-Pin            Input Voltage: 12V            CCT: 3000K            Beam: 36° Flood</p>	<p>Mfg. #: MR16-            SM16-07-36D-830-H1            Wattage: 7.5W            Lamp Efficacy: 84 (Lm/W)            Rated Life: 35,000 hrs</p>	<p>CBCP (cd): 1650            CRI: &gt;90            Power Factor: 0.92            Dimmable: Yes            Lumens: 630</p>	 <table border="1"> <thead> <tr> <th>Distance feet</th> <th>Beam Dia. (50% CBCP)</th> <th>Footcandles</th> </tr> </thead> <tbody> <tr><td>3'</td><td>1.9'</td><td>125</td></tr> <tr><td>6'</td><td>3.9'</td><td>32</td></tr> <tr><td>9'</td><td>5.8'</td><td>14</td></tr> <tr><td>12'</td><td>7.8'</td><td>8</td></tr> <tr><td>15'</td><td>9.7'</td><td>5</td></tr> </tbody> </table>	Distance feet	Beam Dia. (50% CBCP)	Footcandles	3'	1.9'	125	6'	3.9'	32	9'	5.8'	14	12'	7.8'	8	15'	9.7'	5
Distance feet	Beam Dia. (50% CBCP)	Footcandles																			
3'	1.9'	125																			
6'	3.9'	32																			
9'	5.8'	14																			
12'	7.8'	8																			
15'	9.7'	5																			

**B-K LIGHTING**

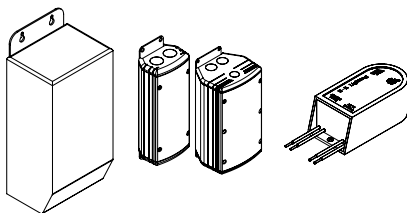
MADE IN THE USA

559.438.5800 | INFO@BKLIGHTING.COM | BKLIGHTING.COM

THIS DOCUMENT CONTAINS PROPRIETARY INFORMATION OF B-K LIGHTING, INC. AND ITS RECEIPT OR POSSESSION DOES NOT CONVEY ANY RIGHTS TO REPRODUCE, DISCLOSE ITS CONTENTS, OR TO MANUFACTURE, USE OR SELL ANYTHING IT MAY DESCRIBE. REPRODUCTION, DISCLOSURE OR USE WITHOUT SPECIFIC WRITTEN AUTHORIZATION OF B-K LIGHTING, INC. IS STRICTLY FORBIDDEN.

DATE: \_\_\_\_\_ PROJECT: \_\_\_\_\_ TYPE: \_\_\_\_\_

ACCESSORIES (Configure separately)



TR Series

UPMRM

TRSS-75

SPECIFICATIONS

ELECTRICAL	WATTAGE	50W Max
	SOCKET	Specification grade, ceramic body, miniature bi-pin quartz lamp holder. GU5.3 base. Nickel alloy contacts and heat resistant, spring loaded, stainless steel lamp retaining clips.
	WIRING	Teflon® coated wire, 18AWG, 600V, 250° C rated and certified to UL 1659 standard.
	TRANSFORMER	For use with 12VAC remote transformer.
PHYSICAL	BACK BOX	Rectangular, 4-5/8" x 2-7/8" deep, cast aluminum construction. Front access for wire connection and inspection. Provided with [5] 1/2" NPS tapped holes (2 on each end and 1 on the back) and [2] plugs. Suitable for concrete pour.
	FACEPLATE	Machined from solid, copper-free aluminum. Also available in solid, machined brass and solid, machined stainless steel. Countersunk holes provide for flush hardware mounting with [2] tamper-resistant, black oxide, stainless steel mounting screws and 1/8" thick HT-805A silicone foam gasket with acrylic adhesive for water-tight seal.
	LAMP	For use with bi-pin MR16 lamps. Not for use with IR technology lamps. Halogen source by others.
	INSTALLATION	For use with 50 watt maximum lamp when installed into non-combustible materials or with 20 watt maximum lamp into combustible materials (Type Non IC) (requires optional thermal protection).
	LENS	Heat treated rectilinear lens provides wide lateral distribution and long forward throw.
	LOUVERS & AIMING	Louver pattern is machined into faceplate to prevent direct view to the lamp at 0.° 30° optical cutoff for mounting heights well below typical visual glare angles. Adjustable lamp bracket with up to 24° vertical aiming, captive thumb screw and quick release bracket to maintain optical alignment during re-lamping.
	FINISH	StarGuard®, our exclusive RoHs compliant, 15 stage chromate-free process cleans and conversion coats aluminum components prior to application of Class 'A' TGIC polyester powder coating. Brass components are available in powder coat or handcrafted metal finish. Stainless steel components are available in handcrafted metal finish. (Brushed finish for interior use only).
	WARRANTY	5 year limited warranty.
LISTINGS	UL Listed. Certified to CAN/CSA/ANSI Standards. Suitable for outdoor use. Suitable for indoor use with 20 watt maximum lamp and optional thermal protector. Suitable for use in wet locations. RoHs compliant. IP65 Rated. Made in the USA.	

