

DATE: _____ PROJECT: _____ TYPE: _____

CATALOG NUMBER LOGIC:



**Designed for use with 12 VAC. LED transformer.
Requires magnetic low voltage dimmer.*

***Please see Adjust-e-Lume photometry to
determine desired intensity.*

****105-300 VAC. 50/60 Hz. non-dimming.*

CATALOG NUMBER LOGIC

Example: PSL - LED - e101 -A6 - BLW - C - PP - TRe20

MATERIAL

Aluminum

SERIES

PSL - Louvered Path Star

SOURCE

LED - with Integral Dimming Driver (25W min. load when dimmed)*

LED TYPE

e100 - 5W LED/2700K	e104 - 5W LED/2700K 90CRI
e101 - 5W LED/3000K	e105 - 5W LED/3000K 90CRI
e102 - 5W LED/4000K	e106 - 5W LED/3500K 80CRI
e103 - 5W LED/Amber	

ADJUST-E-LUME OUTPUT INTENSITY**

A9 (Standard), A8, A7, A6, A5, A4, A3, A2, A1

FINISH (See page 2 for full-color swatches)

Standard Finishes (BZP, BZW, BLP, BLW, WHP, WHW, SAP, VER)

Premium Finish (ABP, AMG, AQW, BCM, BGE, BPP, CAP, CMG, CRM, HUG, NBP, OCP, RMG, SDS, SMG, TXF, WCP, WIR)

Also available in RAL Finishes

LOUVER

C - 30° Angle, Round Pattern

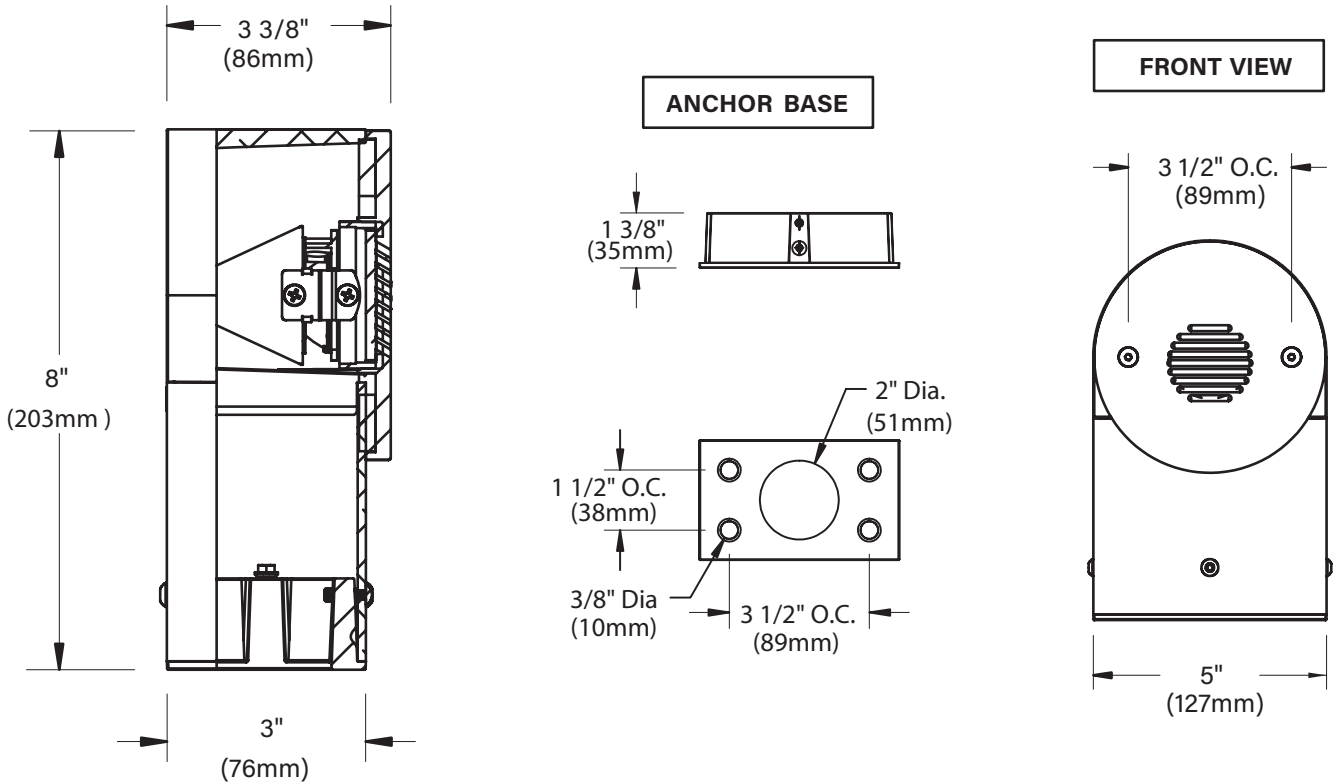
OPTIONS

PP - Standard Aluminum Base with 12" Power Pipe Stake

TRe20 - TRe20 Electronic Transformer (For use with LED fixtures)***

SF - Stability Flange (For use with Power Pipe)

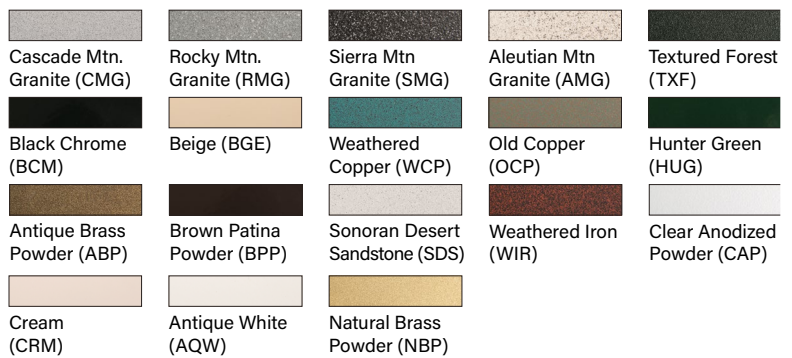
DATE: _____ PROJECT: _____ TYPE: _____



STANDARD FINISHES



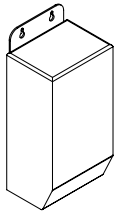
PREMIUM FINISHES



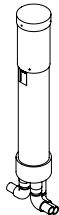
[Click Here](#) to view larger, full-color swatches of all available finishes on our website.

DATE: _____ PROJECT: _____ TYPE: _____

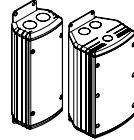
ACCESSORIES (Configure separately)



TR Series



Power Pipe



UPMRM

SPECIFICATIONS

<p>ELECTRICAL</p>	<p>WATTAGE ADJUST-E-LUME WIRING TRANSFORMER</p>	<p>5W LED</p> <p>Integral electronics allow for dynamic lumen response at the individual fixture. Indexed (100% to 25% nom.) lumen output. Maintains output at desired level or may be changed. Specify factory preset output intensity.</p> <p>Teflon® coated, 18AWG, 600V, 250° C rated and certified to UL 1659 standard.</p> <p>For use with 12VAC remote transformer or magnetic transformers only. B-K Lighting cannot guarantee performance with third party manufacturers' transformers. Also available with optional integral, TRe20 electronic transformer. 105-300VAC primary voltage. 50/60Hz. Non Dimming. 20VA maximum load.</p>
<p>PHYSICAL</p>	<p>MATERIALS HOUSING FACEPLATE LENS LED DIMMING LOUVERS & AIMING INSTALLATION HARDWARE FINISH WARRANTY CERTIFICATION & LISTING</p>	<p>Furnished in copper-free aluminum (360).</p> <p>Half-round top is cast construction with machined finish. Sidewalls are machined extrusion with four (4) machined mounting holes.</p> <p>Fully machined from solid billet. Countersunk holes allow for flush hardware mounting with two (2) tamper-resistant, stainless steel mounting screws.</p> <p>Shock-resistant, heat-treated, glass lens is factory adhered to faceplate and provides hermetically sealed optical compartment. Rectilinear pattern provides wide lateral distribution and long forward throw.</p> <p>Integrated solid state system and modular design with electrical disconnects allows for easy field upgrade and maintenance. High power, forward throw source complies with ANSI C78.377 binning requirements and exceeds ENERGY STAR® lumen maintenance requirements. LM-80 certified components. Integral, constant current driver. 12VAC/VDC input. 50/60Hz. Proprietary input control scheme achieves power factor correction and eliminates inrush current (limited to <250mA non-dimming). Output, overvoltage, open-circuit, and short circuit protected. Conforms to Safety Std. C22.2 No. 250.13-12.</p> <p>Line voltage dimmable via magnetic low voltage dimmer with dedicated neutral conductor. Remote magnetic transformer with LED loads should be loaded to 25% of the transformer VA (watts) rated value.</p> <p>Louver pattern is machined into faceplate to prevent direct view to the source at nadir. 30° optical cutoff for mounting heights well below typical visual glare angles. Adjustable lamp bracket provides up to 24° vertical aiming.</p> <p>Cast anchor base with 2" dia. slip conduit hole and four (4) 3/8" dia. anchor bolt holes (hardware by others). Anchor base provided with hardcoat (Type III) black anodize finish for maximum corrosion resistance. Optional 12" Power Pipe for direct burial into soil or concrete, which additionally features optional 6" diameter, molded stability flange, to simplify installation and projects into substrate to reinforce housing stability.</p> <p>Tamper-resistant, stainless steel hardware. Faceplate and base screws are black oxide treated for additional corrosion resistance.</p> <p>StarGuard, our 15-stage chromate-free process cleans and conversion coats aluminum components prior to application of Class 'A' TGIC polyester powder coating and is RoHS compliant. Powder coat or metal finish options available for brass material and metal finish option only for stainless steel material.</p> <p>5-year limited warranty.</p> <p>ITL tested to IESNA LM-79. UL Listed. Certified to CAN/CSA/ANSI Standards. RoHS compliant. Suitable for indoor or outdoor use, in wet locations, and for installation within 4' of the ground. IP66 Rated. Made in the USA with sustainable processes.</p>



LAMP & DRIVER DATA (e100, e101, e102, e103)

DATE: _____ PROJECT: _____ TYPE: _____

DRIVER DATA	Input Volts	InRush Current	Operating	Dimmable	Operation Ambient Temperature
	12VAC/DC 50/60Hz	<250mA (non-dimmed)	500mA	Magnetic Low Voltage Dimmer	-22°F-194°F (-30°C - 90°C)

LM79 DATA				L70 DATA	OPTICAL DATA	
BK No.	CCT (Typ.)	CRI (Typ.)	Input Watts (Typ.)	Minimum Rated Life (hrs.) 70% of initial lumens (L₇₀)	Louver Angle	Delivered Lumens
e100	2700K	80	5	50,000	C-30°	59
e101	3000K	80	5	50,000	C-30°	60
e102	4000K	80	5	50,000	C-30°	68
e103	Amber (590nm)	~	5	50,000	~	~