

DATE: PROJECT: TYPE:

CATALOG NUMBER LOGIC:



\*Only available with x58-x63

\*\*Only available with x43-x45, x70-x71, & x76

\*\*\*Select up to 2. Accessory Holder required.

\*\*\*\*120V only.

**CATALOG NUMBER LOGIC**

Example: CO2 - LED - TR - x61 - SP - SAP - 10/11 - D20INC - MT - AH - TC

**MATERIAL**

(Blank) - Aluminum B - Brass S - Stainless Steel

**SERIES**

CO2 - In-grade with Surface Mounted Faceplate

**OptiLock®**

LED - Cold Phosphor Technology

**HOUSING**

TR - Integral Housing

**LED TYPE**

x58 - 12W LED/2700K x62 - 20W LED/3000K x45 - 34W LED/4000K  
 x59 - 12W LED/3000K x63 - 20W LED/4000K x70 - 34W LED/2700K 90CRI  
 x60 - 12W LED/4000K x43 - 34W LED/2700K x71 - 34W LED/3000K 90CRI  
 x61 - 20W LED/2700K x44 - 34W LED/3000K x76 - 34W LED/3500K 80CRI

**OPTICS**

SP - Spot (15°)\* FL - Flood (35°)\*  
 NFL - Narrow Flood (25°)\*\* WFL - Wide Flood (60°)

**FINISH (See page 2 for full-color swatches)**

Standard Finishes (BZP, BZW, BLP, BLW, WHP, WHW, SAP, VER)  
 Premium Finish (ABP, AMG, AQW, BCM, BGE, BPP, CAP, CMG, CRM, HUG, NBP, OCP, RMG, SDS, SMG, TXF, WCP, WIR)  
 Also available in RAL Finishes  
 Brass Finishes (MAC, POL, MIT)  
 Stainless Steel Finishes (MAC, POL)

**ACCESSORY\*\*\***

10 - Spread Lens  
 11 - Honeycomb Baffle  
 12 - Soft Focus Lens  
 13 - Rectilinear Lens

**CONTROL TYPE**

ELV - Dimming Driver (For use with Electronic Low Voltage Dimmer)\*\*\*\*  
 INC - Dimming Driver (For use with Incandescent Dimmer)\*\*\*\*  
 010 - 0-10V Dimming Driver (Dimming 1 - 100%)

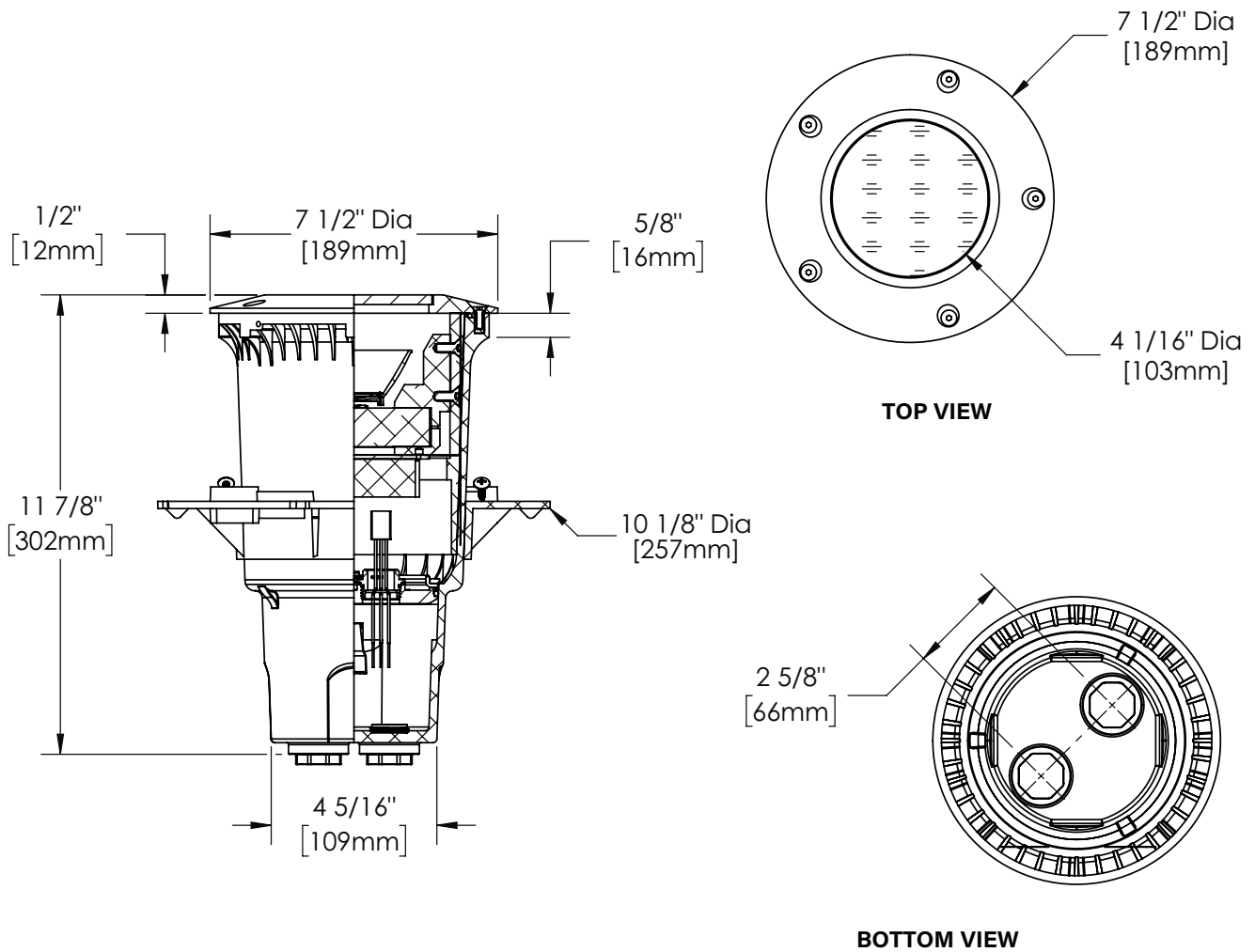
**INPUT VOLTAGE**

MT - 120/208/240/277 Multi Tap

**OPTIONS**

AH - Accessory Holder  
 TC - Traction Control Lens  
 GM-R - Round Grout Mask  
 GM-S - Square Grout Mask

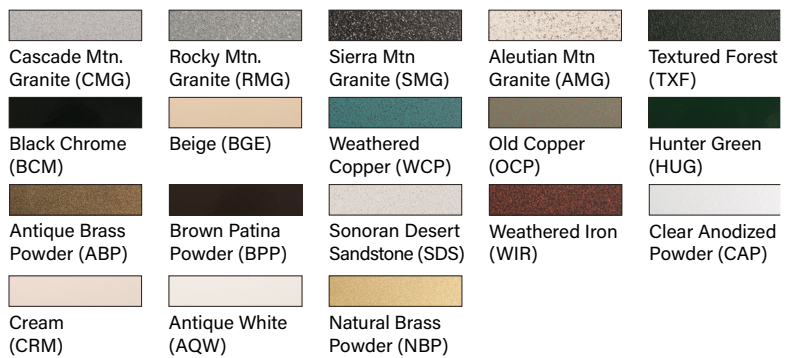
DATE: \_\_\_\_\_ PROJECT: \_\_\_\_\_ TYPE: \_\_\_\_\_



**STANDARD FINISHES**



**PREMIUM FINISHES**



[Click Here](#) to view larger, full-color swatches of all available finishes on our website.

DATE:	PROJECT:	TYPE:
-------	----------	-------

ACCESSORIES (Configure separately)

## SPECIFICATIONS

ELECTRICAL	WATTAGE	12W, 20W, or 34W
	WIRING / CONNECTORS	XLPE coated wire, (3)18 gauge and [(2)22 gauge- only included with 0-10V Dimming applications], 300V, 125°C rated and certified to UL3265 standard. Features OptiLock® and gear tray quick disconnects. Patented HydroLock® with three (3) Water-Tight connectors supplied for incoming connection. Maximum (2) #10 & (1) #18. Minimum (1) #12 & (1) #18.
	DRIVER ASSEMBLY	For use with [1] 700mA (12W/20W) / 1.05A (34W), constant current driver, 120-277VAC (nominal) primary input voltage, 50/60Hz, >0.90 Power Factor, <250mA in-rush current, .20%THD (nominal at 120VAC full load), with output over-voltage, over-current, and short circuit protection with auto recovery. Class 2 power supply; FCC47CFR Part 15 Compliant Class B (120VAC)/Class A (277VAC). Incandescent Control Option Driver: Dimming driver for use with standard incandescent dimmers at 120VAC(10-100% range). ELV/0-10 Control Option Driver: Dimming driver for use with standard electronic low voltage (120VAC only - 10-100% dim. range)/0-10V dimmers (1-100% dim. range).
PHYSICAL	FIXTURE HOUSING	Corrosion-free, high strength, flame retardant and UV stabilized, injected molded polycarbonate. Two (2) bottom-entry, 3/4" NPT female conduit entries with knockout plugs and four (4) side flats for 1/2" or 3/4" conduit adapters.
	PATENTED STABILITY FLANGE	Corrosion-free composite flange projects into installation substrate to reinforce housing stability. Integral REBAR saddles simplify installation into concrete form. Four (4) orthogonal bosses permit use of 1/2" PCV conduit or EMT to simplify vertical position and leveling of housing. Preset self-tapping screws anchor housing at proper elevation.
	AIMING	Dual axis heat sink system rotates 360° and provides vertical adjustment up to 15° from nadir. Positive lock action ensures optical orientation.
	LED	Integrated solid state system and modular design with electrical quick disconnects permit field upgrade and maintenance. LM-80 certified. Minimum 50,000 hour rated life at 70% of initial lumens (L70). LEDR technology provides long life, significant energy reduction and exceptional thermal management.
	COLOR MANAGEMENT	Corrected cold phosphor technology delivers near-perfect natural white light. Long term phosphor maintenance over product life. Exact color point conformity exceeds ANSI C78.377 standard. Provides uniform beam with no color variation over angle. Module exceeds 80 CRI (RA>80, R9>16).
	OPTICS	Interchangeable optics permit field changes to optical distribution.
	INSTALLATION	For direct burial in soil or concrete. Consult Drainage Installation Guide for In-Grade Fixtures (DIG-IT) for compliance with proper soil preparation and drainage requirements prior to installation.
	WATER MANAGEMENT	High temperature silicone 'O' Ring at faceplate. HydroLock® technology provides fail-safe water barrier between junction box and interior components. IP68 rated.
	LENS	High heat, Shock-resistant, 1/4" Tempered Soda Lime glass lens.
	FACEPLATE	Options include solid, 1/2" machined 6061T6 aluminum, brass or stainless steel with five (5) black oxide, captive, stainless steel mounting screws.
	FINISH	StarGuard, our 15-stage chromate-free process cleans and conversion coats aluminum components prior to application of Class 'A' TGIC polyester powder coating and is RoHS compliant.
	WARRANTY	5-year limited warranty.
CERTIFICATION & LISTING	UL Listed. Certified to CAN/CSA/ANSI Standards. IP68 Rated. Made in the USA with sustainable processes.	



**B-K LIGHTING**

**MADE IN THE USA**

559.438.5800 | INFO@BKLIGHTING.COM | BKLIGHTING.COM

# LAMP & DRIVER DATA (x58, x59, x60, x61, x62, x63, x43, x44, x45)

DATE: \_\_\_\_\_ PROJECT: \_\_\_\_\_ TYPE: \_\_\_\_\_

## DRIVER ELECTRICAL DATA

Type	AC Input Range	Frequency Hz	Power Factor At Full Load (Efficiency)	THD	Operation Ambient Temperature	Dimmer Type	Dimmer Range
ELV	105-305Vac	50/60	> 0.90	≤20%	-30° C ~ 70°C	Electronic Low Voltage	10-100%
INC	105-305Vac	50/60	> 0.90	≤5%	-30° C ~ 50°C	Incandescent	10-100%
0-10	105-305Vac	50/60	> 0.90	≤20%	-30° C ~ 70°C	0-10	1-100%

### LM79 DATA

### L70 DATA

### OPTICAL DATA

BK No.	CCT (Typ.)	CRI (Typ.)	Input Watts (Typ.)	Minimum Rated Life (hrs.) 70% of initial lumens (L <sub>70</sub> )	Angle	CBCP	Delivered Lumens
x58	2700K	80	12W	50,000	15°	3877	724
	2700K	80	12W	50,000	35°	1498	663
	2700K	80	12W	50,000	60°	629	625
x59	3000K	80	12W	50,000	15°	4059	758
	3000K	80	12W	50,000	35°	1568	694
	3000K	80	12W	50,000	60°	659	655
x60	4000K	80	12W	50,000	15°	4561	851
	4000K	80	12W	50,000	35°	1762	780
	4000K	80	12W	50,000	60°	740	736
x61	2700K	80	20W	50,000	15°	7098	1306
	2700K	80	20W	50,000	35°	2621	1124
	2700K	80	20W	50,000	60°	1048	1063
x62	3000K	80	20W	50,000	15°	7488	1378
	3000K	80	20W	50,000	35°	2765	1186
	3000K	80	20W	50,000	60°	1106	1121
x63	4000K	80	20W	50,000	15°	7800	1435
	4000K	80	20W	50,000	35°	2880	1235
	4000K	80	20W	50,000	60°	1152	1168
x43	2700K	80	34W	50,000	25°	5435	1915
	2700K	80	34W	50,000	60°	2697	1860
x44	3000K	80	34W	50,000	25°	5672	1998
	3000K	80	34W	50,000	60°	2814	1941
x45	4000K	80	34W	50,000	25°	5908	2081
	4000K	80	34W	50,000	60°	2931	2022

## OPTICS

Optic	Angle
Spot	15°
Narrow Flood	25°
Flood	35°
Wide Flood	60°

**B-K LIGHTING**

MADE IN THE USA

559.438.5800 | INFO@BKLIGHTING.COM | BKLIGHTING.COM

THIS DOCUMENT CONTAINS PROPRIETARY INFORMATION OF B-K LIGHTING, INC. AND ITS RECEIPT OR POSSESSION DOES NOT CONVEY ANY RIGHTS TO REPRODUCE, DISCLOSE ITS CONTENTS, OR TO MANUFACTURE, USE OR SELL ANYTHING IT MAY DESCRIBE. REPRODUCTION, DISCLOSURE OR USE WITHOUT SPECIFIC WRITTEN AUTHORIZATION OF B-K LIGHTING, INC. IS STRICTLY FORBIDDEN.