

DATE:	PROJECT:	TYPE:
-------	----------	-------

CATALOG NUMBER LOGIC:



*120 only.

CATALOG NUMBER LOGIC

Example: B - HP2RM - ELV - SAP - MT - GM-R

MATERIAL

(Blank) - Aluminum B - Brass S - Stainless Steel

SERIES

HP2RM - Remote In-grade (Flush)

CONTROL TYPE

ELV - Dimming Driver (For use with Electronic Low Voltage Dimmer)*

INC - Dimming Driver (For use with Incandescent Dimmer)*

010 - 0-10V Dimming Driver (Dimming 1 - 100%)

FINISH

Standard Finishes (BZP, BZW, BLP, BLW, WHP, WHW, SAP, VER)

Premium Finish (ABP, AMG, AQW, BCM, BGE, BPP, CAP, CMG, CRM, HUG, NBP, OCP, RMG, SDS, SMG, TXF, WCP, WIR)

(Also available in RAL Finishes. See submittal SUB-1439-00)

Brass Finishes (MAC, POL, MIT)

Stainless Steel Finishes (MAC, POL)

INPUT VOLTAGE

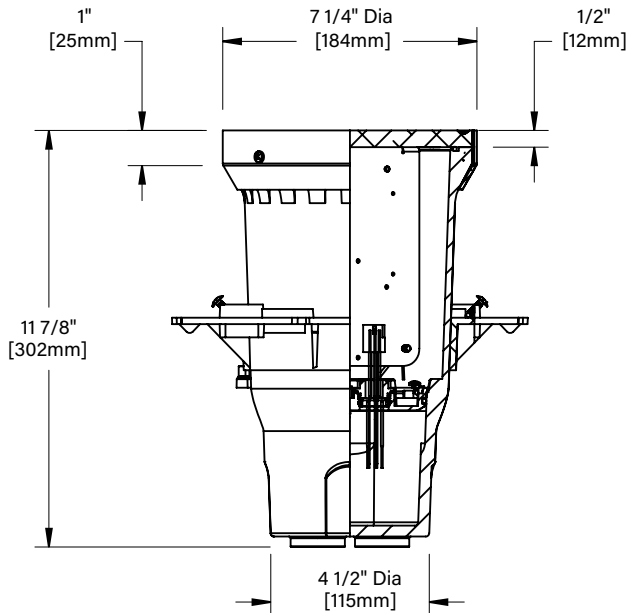
MT - 120-277 VAC

OPTIONS

GM-R - Round Grout Mask

GM-S - Square Grout Mask

DATE: _____ PROJECT: _____ TYPE: _____



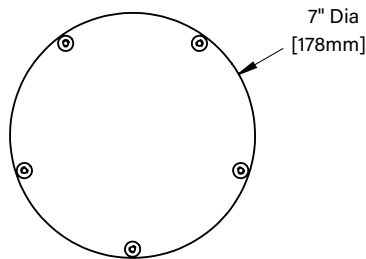
⚠ REMOTE WIRING

LED Driver

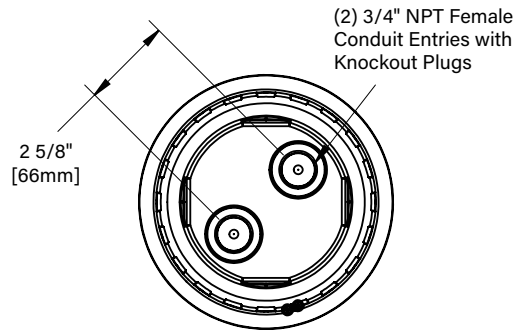
Remote driver installations require inter-connected wiring between the LED and driver (by others). Drivers have specific wiring requirements between these components. Driver manufacturers regularly recommend the following wiring details for such installations:

- Do not exceed 50 foot overall wiring distance using 12 gauge copper wire.

Failure to comply with specific wiring requirements will void product warranty.



FACEPLATE VIEW



BOTTOM VIEW

STANDARD FINISHES



PREMIUM FINISHES



[Click Here](#) to view larger, full-color swatches of all available finishes on our website.

DATE:	PROJECT:	TYPE:
-------	----------	-------

ACCESSORIES (Configure separately)

SPECIFICATIONS

Electrical	WIRING / CONNECTORS	XLPE coated wire, (3)18 gauge and [(2)22 gauge- only included with 0-10V Dimming applications], 300V, 125°C rated and certified to UL3265 standard. Features gear tray quick disconnects. Patented HydroLock® with three (3) Water-Tight connectors supplied for incoming connection. Maximum (2) #10 & (1) #18. Minimum (1) #12 & (1) #18.
	DRIVER ASSEMBLY	One (1) 700mA, Class A, constant current driver. 120-277VAC (nominal) primary input voltage. 50/60Hz. >0.94 Power Factor, 6A in-rush current, 0.25A input current, <20%THD (nominal at 120VAC full load). Output over-voltage, over-current, and short circuit protection with auto recovery. EMC: FCC47CFR Part 15 Class B compliant. Incandescent Control Option Driver: Dimming driver for use with standard incandescent dimmers at 120VAC(10-100% range). ELV/0-10 Control Option Driver: Dimming driver for use with standard electronic low voltage (120VAC only - 10-100% dim. range)/0-10V dimmers (1-100% dim. range).
PHYSICAL	MATERIALS	Furnished in copper-free aluminum (6061-T6), brass (360), or stainless steel (304).
	FACEPLATE	Solid, 1/2" machined 6061-T6 copper-free aluminum with five (5) black oxide, captive, stainless steel mounting screws.
	HOUSING	Corrosion-free, high strength, flame retardant and UV stabilized, injected molded polycarbonate. Two (2) bottom-entry, 3/4" NPT female conduit entries with knockout plugs and four (4) side flats for 1/2" or 3/4" conduit adapters.
	PATENTED STABILITY FLANGE	Corrosion-free composite flange projects into installation substrate to reinforce housing stability. Integral REBAR saddles simplify installation into concrete form. Four (4) orthogonal bosses permit use of 1/2" PCV conduit or EMT to simplify vertical position and leveling of housing. Preset self-tapping screws anchor housing at proper elevation.
	INSTALLATION	Integral, copper-free aluminum concrete pour collar (CPC), furnished in black finish, permits for direct burial in soil or concrete. Consult Drainage Installation Guide for In-Grade Fixtures (DIG-IT) for compliance with proper soil preparation and drainage requirements prior to installation.
	WATER MANAGEMENT	High temperature silicone 'O' Ring at faceplate. HydroLock® technology provides fail-safe water barrier between junction box and interior components. IP68 rated.
	FINISH	StarGuard, our 15-stage, chromate-free process cleans and conversion coats aluminum components prior to application of Class 'A' TGIC polyester powder coating and is RoHS compliant. Finish to match fixture (specified separately).
	WARRANTY	5-year limited warranty.
	CERTIFICATION & LISTING	Certified to CAN/CSA/ANSI Standards. UL Listed. IP-68 Rated enclosure. RoHS compliant. Made in the USA with sustainable processes.

