

Standard Installation

ARTISTAR UPLIGHT FLUSH MOUNT



Flammable



Warning



Low Voltage



Hot Surface

TOOLS NEEDED:



9/64" Allen Wrench



Waterproof Wire Connector

INSTRUCTIONS PERTAINING TO A RISK OF FIRE, OR INJURY TO PERSONS IMPORTANT SAFETY INSTRUCTIONS

Lighted fixture is HOT!

WARNING - To reduce the risk of FIRE OR INJURY TO PERSONS:

Turn off/unplug and allow to cool before replacing lamp/LED. Fixture gets HOT quickly! Contact only switch/plug when turning on. Do not touch hot lens, guard, or enclosure. Keep fixture away from materials that may burn. Do not operate the luminaire fitting with a missing or damaged shield. Do not touch the source at any time. Use a soft cloth or gloves. Oil from skin may cause damage.

SAVE THESE INSTRUCTIONS

IMPORTANT SAFETY INFORMATION - READ, FOLLOW, AND SAVE ALL SAFETY AND INSTALLATION INSTRUCTIONS

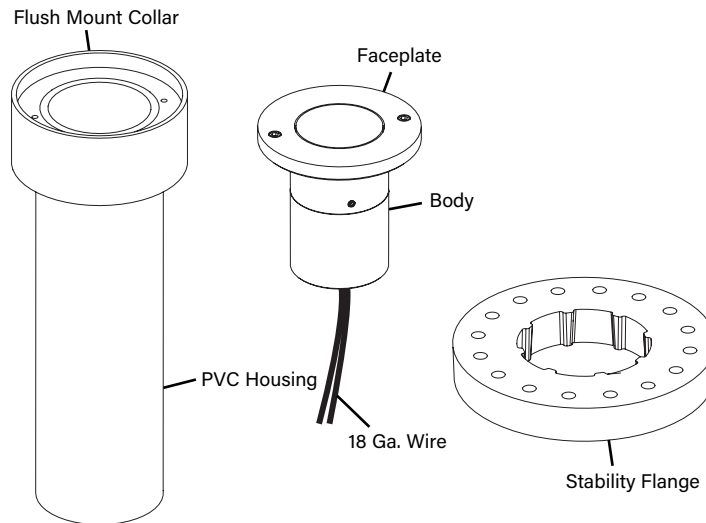
- Product must be installed by a qualified person in a manner consistent with its intended use and in compliance with the National Electrical Code, Canadian Electrical Code, and all Local and Provincial Codes.
- Follow product label information and instructions.
- Qualified Personnel with appropriate personal protective equipment must perform all servicing of this product.
- Before wiring to power supply and during servicing, turn off and lock out power at fuse or circuit breaker before service.
- The use of accessory equipment not recommended by the manufacturer or installed contrary to instructions may cause an unsafe condition. The use of damaged components may cause an unsafe condition and void product warranty.
- Do not block light emanating from product in whole or part, as this may cause an unsafe condition.
- Never operate the fixture with missing or damaged lens. Lens must be cleaned on regular basis.
- Entire fixture may become extremely hot. Do not touch hot lens or fixture body.
- Replace LED assembly only with correct wattage and type of power supply appropriate for LED assembly.
- All gaskets, o-rings and sealing surfaces must be kept clean during installation and service; failure to do this may cause an unsafe condition and void product warranty.

IMPORTANT LISTINGS AND CERTIFICATIONS

- Suitable for wet locations

Proper soil preparation is recommended before installation. See the DIG-IT guide at www.bklighting.com/collaterals/install/digit.pdf for more information.

UL-AR



Please refer to the low voltage design guide at www.bklighting.com/lvguide before installation for proper wire selection.

IMPORTANT SAFETY INFORMATION - READ, FOLLOW, AND SAVE THESE INSTALLATION INSTRUCTIONS

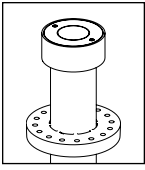
B-K LIGHTING

40429 Brickyard Drive • Madera, CA 93636 • USA
559.438.5800 • FAX 559.438.5900
www.bklighting.com • info@bklighting.com

RELEASE DATE
07/11/2023

REFERENCE NUMBER
INS-2317-00

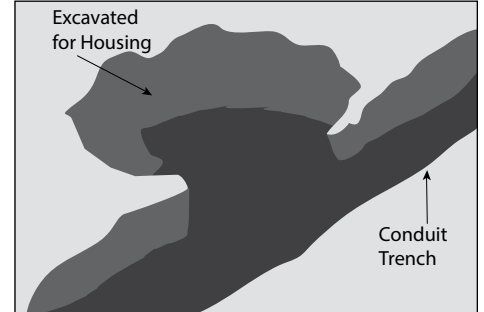
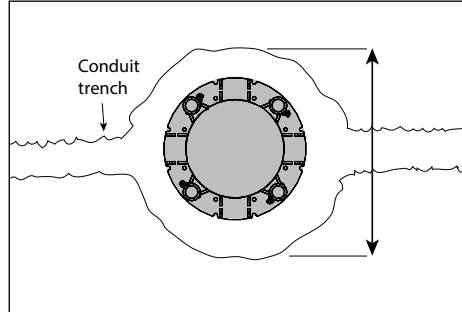
THIS DOCUMENT CONTAINS PROPRIETARY INFORMATION OF B-K LIGHTING, INC. AND ITS RECEIPT OR POSSESSION DOES NOT CONVEY ANY RIGHTS TO REPRODUCE, DISCLOSE ITS CONTENTS, OR TO MANUFACTURE, USE OR SELL ANYTHING IT MAY DESCRIBE. REPRODUCTION, DISCLOSURE OR USE WITHOUT SPECIFIC WRITTEN AUTHORIZATION OF B-K LIGHTING, INC. IS STRICTLY FORBIDDEN.



Standard Installation

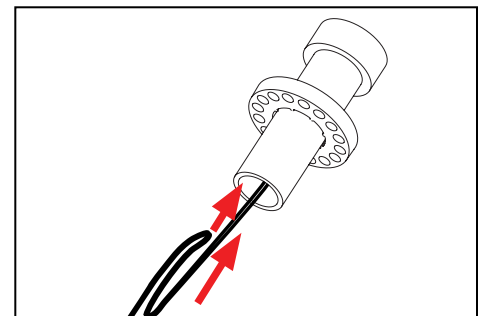
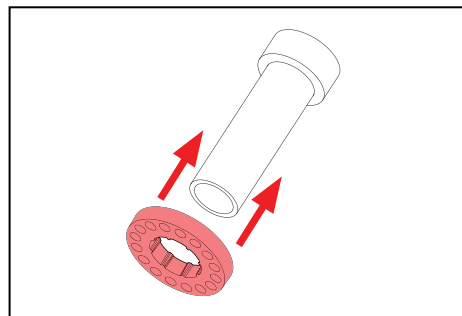
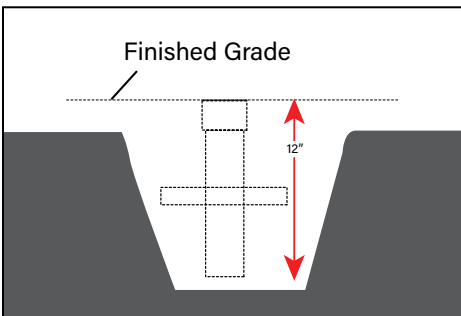
ARTISTAR UPLIGHT FLUSH MOUNT

Soil Prep



- A. Determine Soil Type by referencing DIG-IT Guide. Prep soil according to DIG-IT Guide.
- B. Dig hole 10" wide and 10" deep.
- C. Prep soil according to DIG-IT Guide.

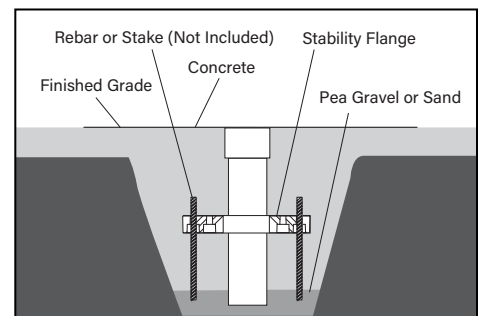
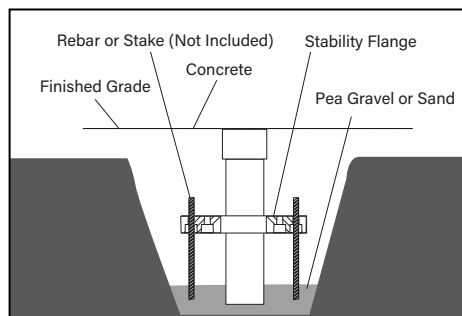
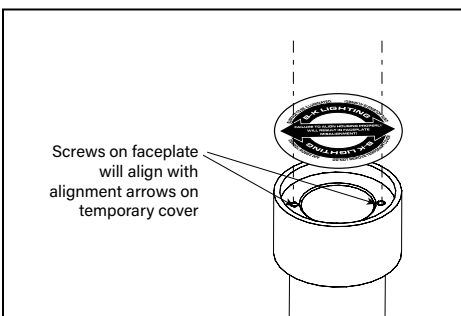
Fixture Installation



1. Excavate trench according to designed lighting plan 12" deep and 12" wide suitable for the fixture housing.
2. Supply low voltage wiring necessary for installation.
3. Slide stability flange onto housing.
4. Loop minimum of 6" of low voltage wire inside housing to allow for fixture service. Place fixture in hole.

NOTE: Product is supplied with a stability flange to anchor fixture and aid in installation.

NOTE: Do not remove temporary cover!



5. Align holes to final installation orientation. Arrows on temporary cover point towards screw location on faceplate for alignment purposes.
6. Per DIG-IT Guide, backfill the gap between the bottom of housing and bottom of hole with sand or pea gravel for drainage.
7. Fill the hole around the fixture housing to 12" below the finished grade with clean fill dirt and tamp carefully to prevent settling of fixture. Pour concrete and finish as required flush with mounting collar.

NOTE: Do not remove temporary cover until installation of faceplate.

NOTE: The mounting collar must be flush to finished grade. Use stability flange to aid in installation as shown.

**IMPORTANT SAFETY INFORMATION LISTED ON REVERSE
READ, FOLLOW, AND SAVE ALL SAFETY AND INSTALLATION INSTRUCTIONS**



B-K LIGHTING

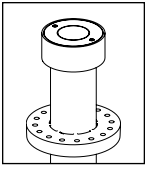
40429 Brickyard Drive • Madera, CA 93636 • USA
559.438.5800 • FAX 559.438.5900
www.bklighting.com • info@bklighting.com

RELEASE DATE
07/11/2023

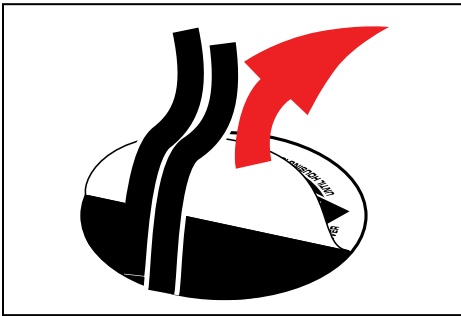
REFERENCE NUMBER
INS-2317-00

ARTISTAR UPLIGHT

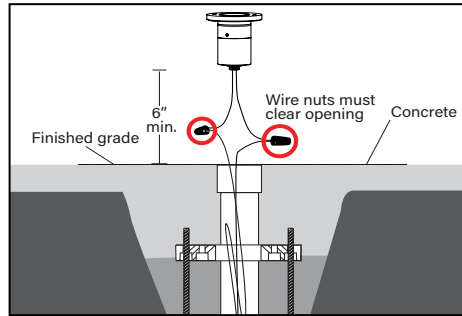
FLUSH MOUNT



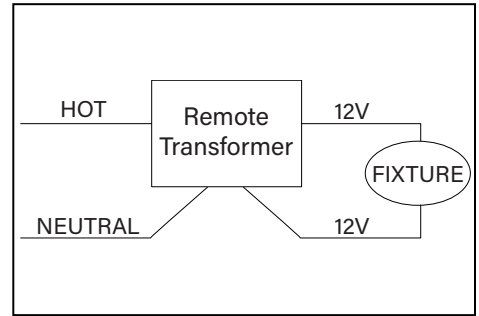
Standard Installation



8. Remove temporary cover and pull out low voltage wire.

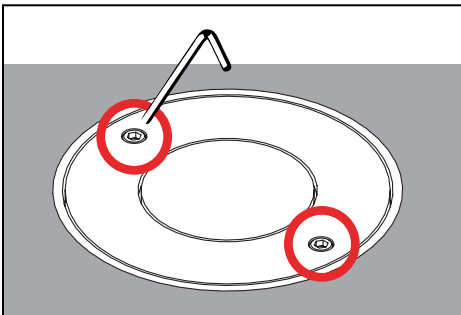


9. Access low voltage wire inside power pipe. Make two water tight, low voltage connections using proper wire connectors. Wire nuts must clear opening. Insert fixture and low voltage wire into housing. **See wiring diagram.**



WIRING DIAGRAM

⚠ LED - For use with 12VAC LED remote transformer or magnetic transformers only. B-K Lighting cannot guarantee performance with third party manufacturers' transformers.



10. Mount faceplate to collar using two (2) #8-32 flat head screws (included) with a 9/64" allen wrench.

**IMPORTANT SAFETY INFORMATION LISTED ON REVERSE
READ, FOLLOW, AND SAVE ALL SAFETY AND INSTALLATION INSTRUCTIONS**

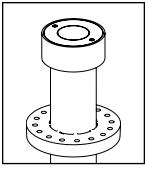


B-K LIGHTING

40429 Brickyard Drive • Madera, CA 93636 • USA
559.438.5800 • FAX 559.438.5900
www.bklighting.com • info@bklighting.com

RELEASE DATE
07/11/2023

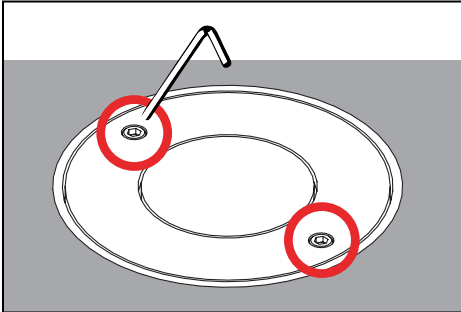
REFERENCE NUMBER
INS-2317-00



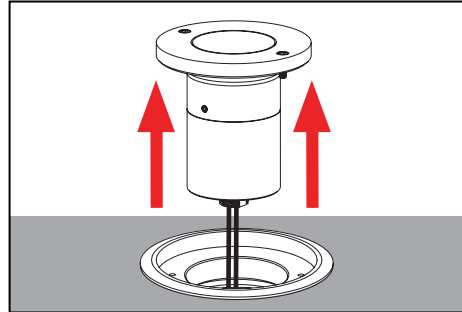
ARTISTAR UPLIGHT FLUSH MOUNT

Standard Installation

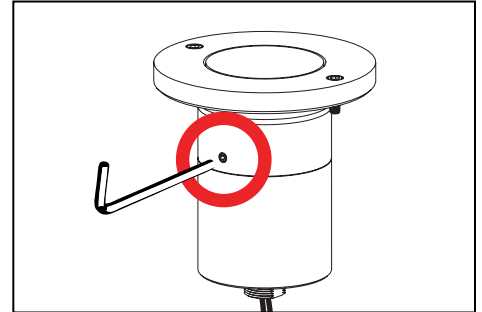
Fixture Relamping



1. Remove faceplate from collar using two (2) #8-32 flat head screws (included) with a 9/64" allen wrench.



2. Remove fixture from collar.



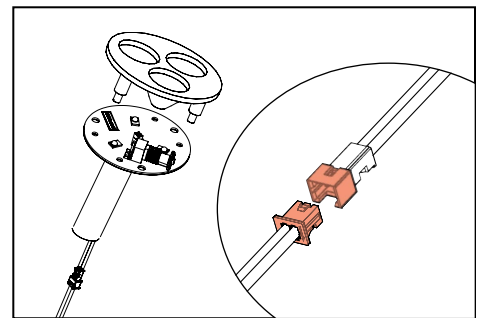
3. Loosen two (2) #8-32 screw with a 5/64" allen wrench to remove faceplate.



4. Space three fingers evenly around the optic and gently rock optic to remove.



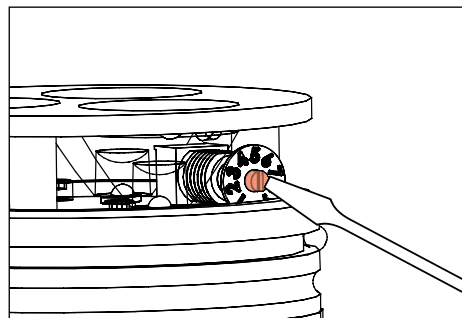
5. Use a 5/64" allen wrench to remove two (2) #2-56 socket head cap screws on LED board, grasp LED board and gently pull up to expose quick disconnect.



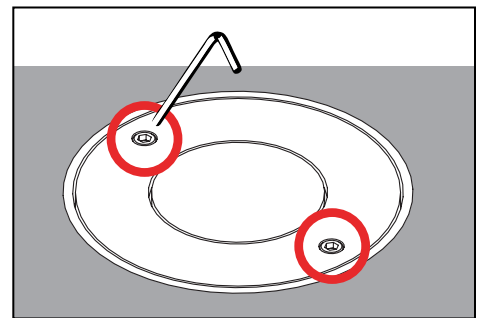
6. Disengage LED board and driver assembly. Replace with new board and driver assembly.



7. Reverse install LED board and driver by carefully engaging quick disconnects and inserting into fixture body. Secure LED board in place with stainless steel screws. Snap optics in place.



8. With flat head screw driver rotate dial to desired lumen output. Replace fixture in mounting collar.



9. Mount faceplate to collar using two (2) #8-32 flat head screws (included) with a 9/64" allen wrench. Do not overtighten.

**IMPORTANT SAFETY INFORMATION LISTED ON REVERSE
READ, FOLLOW, AND SAVE ALL SAFETY AND INSTALLATION INSTRUCTIONS**



B-K LIGHTING

40429 Brickyard Drive • Madera, CA 93636 • USA
559.438.5800 • FAX 559.438.5900
www.bklighting.com • info@bklighting.com

RELEASE DATE
07/11/2023

REFERENCE NUMBER
INS-2317-00