

Standard Installation

MINI-MICRO

RECESSED UPLIGHT - SURFACE MOUNT



Flammable



Warning



Low Voltage



Hot Surface

TOOLS NEEDED:



- 5/64" Allen Wrench
- Waterproof Wire Connectors
- Silicone

INSTRUCTIONS PERTAINING TO A RISK OF FIRE, OR INJURY TO PERSONS IMPORTANT SAFETY INSTRUCTIONS

Lighted fixture is HOT!

WARNING - To reduce the risk of FIRE OR INJURY TO PERSONS:

Turn off/unplug and allow to cool before replacing lamp/LED. Fixture gets HOT quickly! Contact only switch/plug when turning on. Do not touch hot lens, guard, or enclosure. Keep fixture away from materials that may burn. Do not operate the luminaire fitting with a missing or damaged shield. Do not touch the source at any time. Use a soft cloth or gloves. Oil from skin may cause damage.

SAVE THESE INSTRUCTIONS

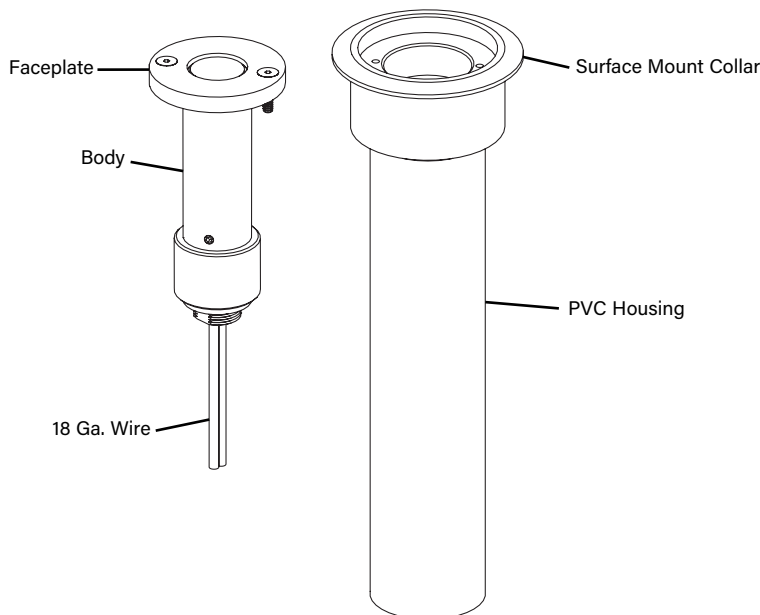
IMPORTANT SAFETY INFORMATION - READ, FOLLOW, AND SAVE ALL SAFETY AND INSTALLATION INSTRUCTIONS

- Product must be installed by a qualified person in a manner consistent with its intended use and in compliance with the National Electrical Code, Canadian Electrical Code, and all Local and Provincial Codes.
- Follow product label information and instructions.
- Qualified Personnel with appropriate personal protective equipment must perform all servicing of this product.
- Before wiring to power supply and during servicing, turn off and lock out power at fuse or circuit breaker before service.
- The use of accessory equipment not recommended by the manufacturer or installed contrary to instructions may cause an unsafe condition. The use of damaged components may cause an unsafe condition and void product warranty.
- Do not block light emanating from product in whole or part, as this may cause an unsafe condition.
- Never operate the fixture with missing or damaged lens. Lens must be cleaned on regular basis.
- Entire fixture may become extremely hot. Do not touch hot lens or fixture body.
- Replace LED assembly only with correct wattage and type of power supply appropriate for LED assembly.
- All gaskets, o-rings and sealing surfaces must be kept clean during installation and service; failure to do this may cause an unsafe condition and void product warranty.

IMPORTANT LISTINGS AND CERTIFICATIONS

- Suitable for wet locations

Proper soil preparation is recommended before installation. See the DIG-IT guide at www.bklighting.com/collaterals/install/digit.pdf for more information.



INSTALLATION

Surface mount uplights are intended for installation in wood, pavers, stone, and other hardscapes.

Not recommended for concrete pour installations.

Please refer to the low voltage design guide at www.bklighting.com/lvguide before installation for proper wire selection.

IMPORTANT SAFETY INFORMATION - READ, FOLLOW, AND SAVE THESE INSTALLATION INSTRUCTIONS

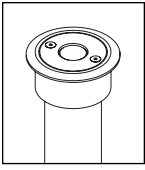
B-K LIGHTING

40429 Brickyard Drive • Madera, CA 93636 • USA
559.438.5800 • FAX 559.438.5900
www.bklighting.com • info@bklighting.com

RELEASE DATE
08/01/2023

REFERENCE NUMBER
INS-2864-00

THIS DOCUMENT CONTAINS PROPRIETARY INFORMATION OF B-K LIGHTING, INC. AND ITS RECEIPT OR POSSESSION DOES NOT CONVEY ANY RIGHTS TO REPRODUCE, DISCLOSE ITS CONTENTS, OR TO MANUFACTURE, USE OR SELL ANYTHING IT MAY DESCRIBE. REPRODUCTION, DISCLOSURE OR USE WITHOUT SPECIFIC WRITTEN AUTHORIZATION OF B-K LIGHTING, INC. IS STRICTLY FORBIDDEN.

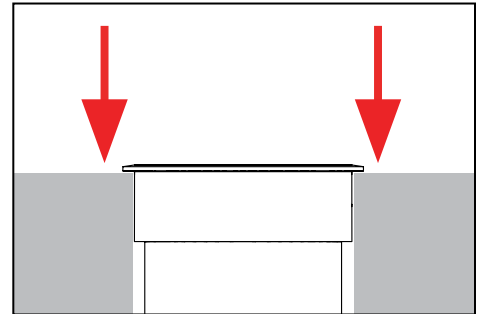
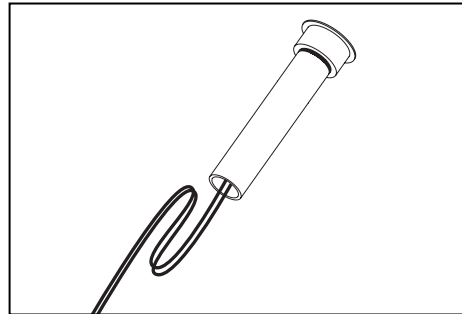
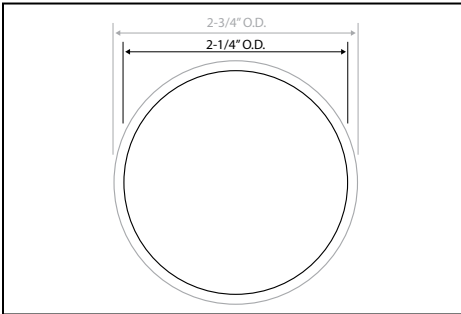


MINI-MICRO

RECESSED UPLIGHT - SURFACE MOUNT

Standard Installation

Core Drill Installation Instructions



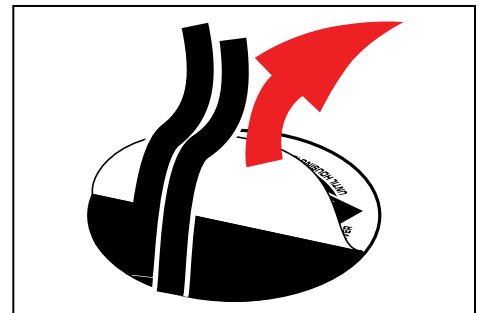
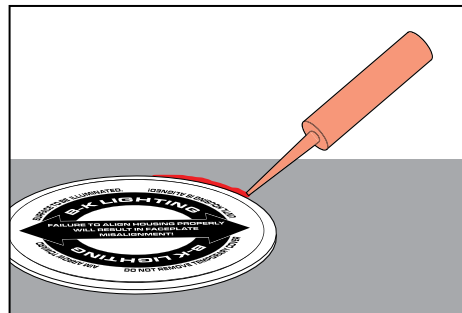
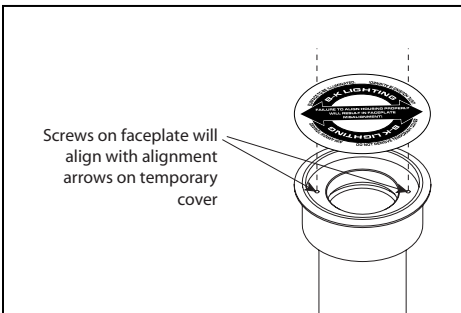
1. Drill 2-1/4" diameter hole into mounting surface at uplight installation location as per lighting plan.
2. Loop minimum of 6" of wiring inside housing to allow for fixture service.
3. Place housing into hole. Surface mount collar should rest on finished surface grade.

Do not exceed surface diameter, installation relies on surface mount collar resting on surface grade. Collar diameter is 2-1/4". Surface mount flange is 2-3/4" diameter.

⚠ NOTE: Do not remove temporary cover!

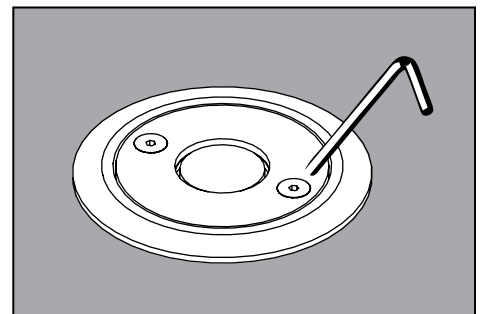
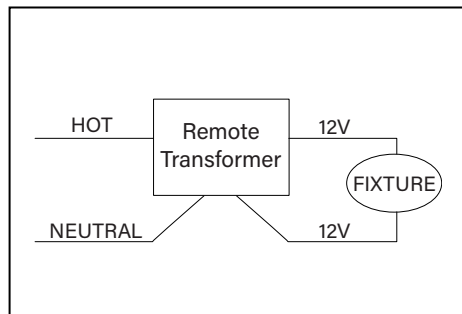
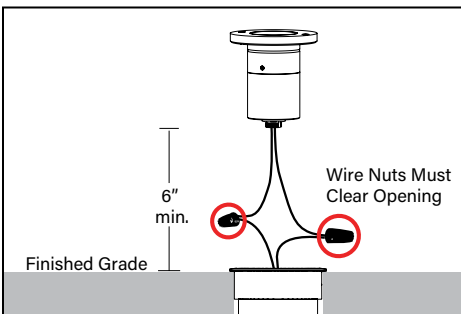
⚠ NOTE: Do not remove temporary cover!

Pull secondary wiring from remote driver.



4. Align holes to final installation orientation. Arrows on temporary cover point towards screw location on faceplate for alignment purposes.
5. Use a silicone based sealant between fixture and mounting surface.
6. Remove temporary cover and pull out remote wiring.

⚠ NOTE: Do not remove temporary cover until installation of faceplate.

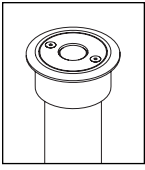


7. Access remote wiring inside housing. Make watertight connections using waterproof wire connectors. Wire nuts must clear opening. Insert fixture, wiring and connections into housing. See wiring diagram.
9. Make watertight connections using waterproof wire connectors. Insert fixture and low voltage wire into power pipe.
10. Mount faceplate to collar using two (2) #6-32 screws (included) with a 5/64" allen wrench.

⚠ LED - For use with 12VAC LED remote transformer or magnetic transformers only. B-K Lighting cannot guarantee performance with third party manufacturers' transformers.

IMPORTANT SAFETY INFORMATION LISTED ON REVERSE
READ, FOLLOW, AND SAVE ALL SAFETY AND INSTALLATION INSTRUCTIONS



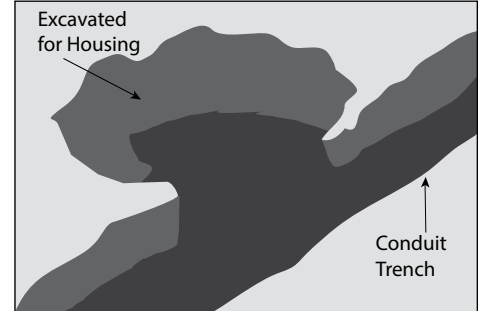
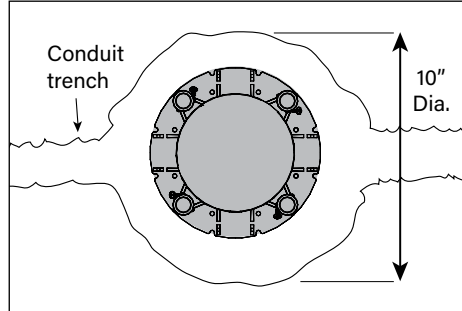


Standard Installation

MINI-MICRO RECESSED UPLIGHT - SURFACE MOUNT

In-Ground Installation Instructions

Soil Prep

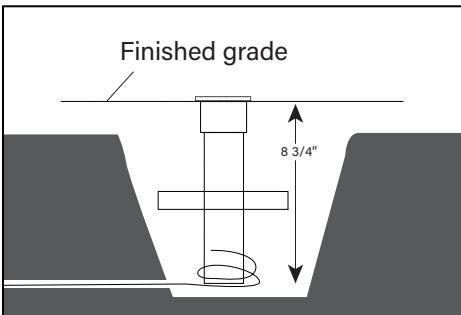


A. Determine Soil Type by referencing DIG-IT Guide. Prep soil according to DIG-IT Guide.

B. Dig hole 10" wide and 10" deep.

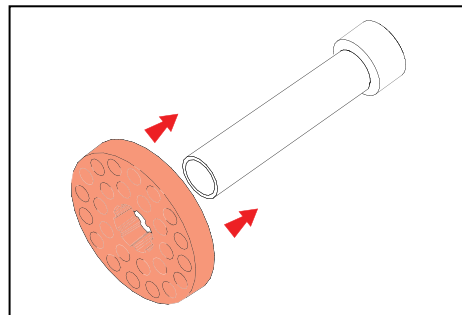
C. Prep soil according to DIG-IT Guide.

Fixture Installation



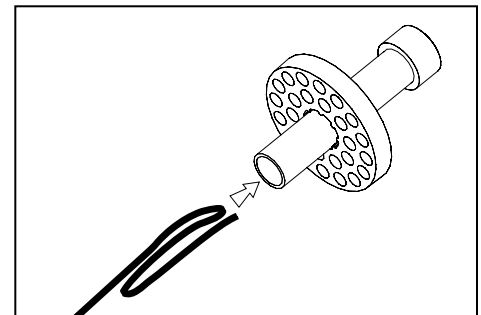
1. Excavate trench according to designed lighting plan 10" deep and 10" wide suitable for the 8-3/4" fixture housing.

2. Supply low voltage wiring necessary for installation.



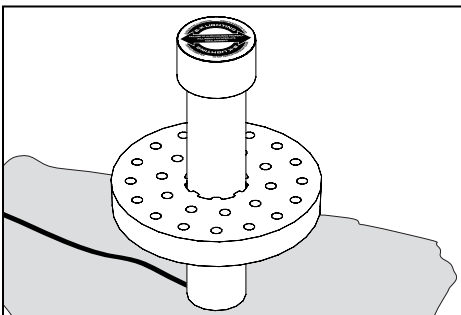
3. Slide stability flange onto power pipe.

⚠ NOTE: Product is supplied with a stability flange to anchor fixture and aid in installation.



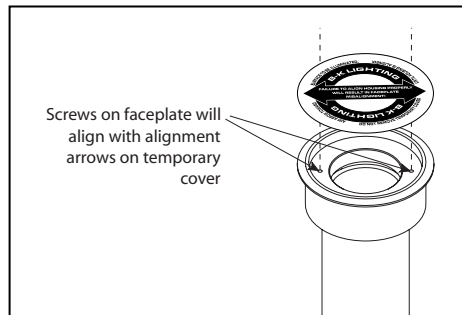
4. Loop 12" of low voltage wire inside power pipe.

⚠ Note: DO NOT remove temporary cover!



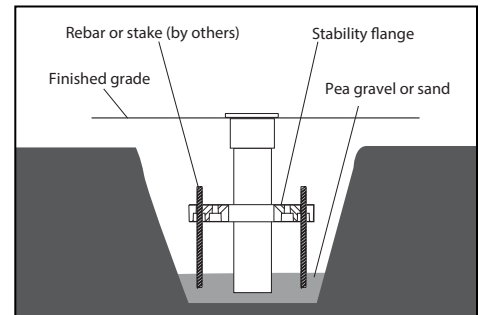
5. Place power pipe in hole.

⚠ NOTE: Leave sufficient wire length in the power pipe for future service.



6. Orient the arrows on the temporary cover to the desired position of the final faceplate screw placement.

⚠ NOTE: DO NOT remove temporary cover until installation of faceplate.



7. Per DIG-IT Guide, backfill the gap between the bottom of housing and bottom of hole with sand or pea gravel for drainage.

⚠ NOTE: The mounting collar must be flush to finished grade. Use stability flange to aid in installation as shown.

**IMPORTANT SAFETY INFORMATION LISTED ON REVERSE
READ, FOLLOW, AND SAVE ALL SAFETY AND INSTALLATION INSTRUCTIONS**

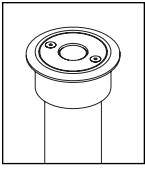


B-K LIGHTING

40429 Brickyard Drive • Madera, CA 93636 • USA
559.438.5800 • FAX 559.438.5900
www.bklighting.com • info@bklighting.com

RELEASE DATE
08/01/2023

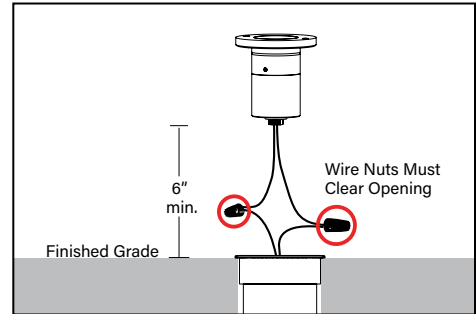
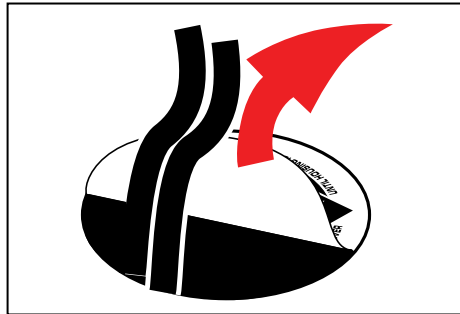
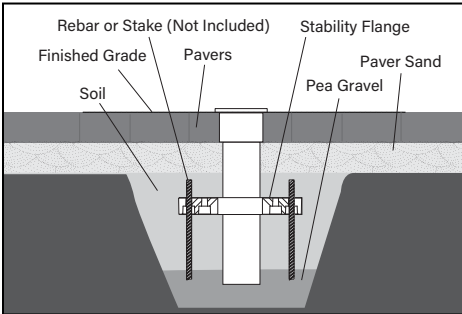
REFERENCE NUMBER
INS-2864-00



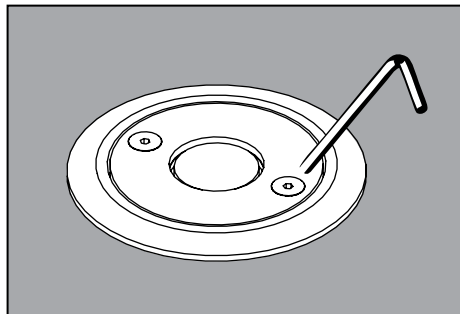
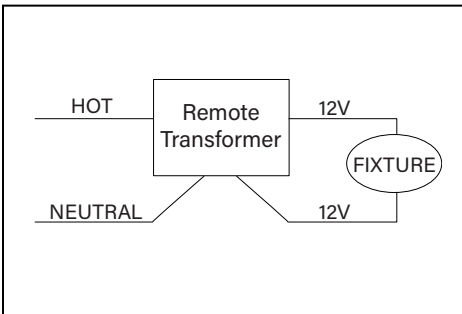
Standard Installation

MINI-MICRO RECESSED UPLIGHT - SURFACE MOUNT

In-Ground Installation Instructions



- 8. Fill with soil, then compress. Layer paver sand as required for paver installation, then install pavers. Pavers may need to be cut to fit around housing.
- 9. Remove temporary cover and pull out remote wiring.
- 10. Access remote wiring inside housing. Make watertight connections using waterproof wire connectors. Wire connectors must clear opening. Insert fixture, wiring and connections into housing. **See wiring diagram.**



WIRING DIAGRAM

⚠ LED - For use with 12VAC LED remote transformer or magnetic transformers only. B-K Lighting cannot guarantee performance with third party manufacturers' transformers.

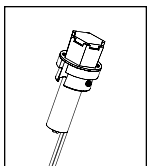
- 11. Mount faceplate to collar using two (2) #6-32 screws (included) with a 5/64" allen wrench.

**IMPORTANT SAFETY INFORMATION LISTED ON REVERSE
READ, FOLLOW, AND SAVE ALL SAFETY AND INSTALLATION INSTRUCTIONS**



LED BOARD/DRIVER/OPTICS

1" Body Size



Standard Installation/Replacement



Flammable



Warning



Low Voltage



Hot Surface

TOOLS NEEDED:



.050" & 9/64" Allen Wrench



Small Flat Head Screw Driver

INSTRUCTIONS PERTAINING TO A RISK OF FIRE, OR INJURY TO PERSONS IMPORTANT SAFETY INSTRUCTIONS

Lighted fixture is HOT!

WARNING - To reduce the risk of FIRE OR INJURY TO PERSONS:

Turn off/unplug and allow to cool before replacing lamp/LED. Fixture gets HOT quickly! Contact only switch/plug when turning on. Do not touch hot lens, guard, or enclosure. Keep fixture away from materials that may burn. Do not operate the luminaire fitting with a missing or damaged shield. Do not touch the source at any time. Use a soft cloth or gloves. Oil from skin may cause damage.

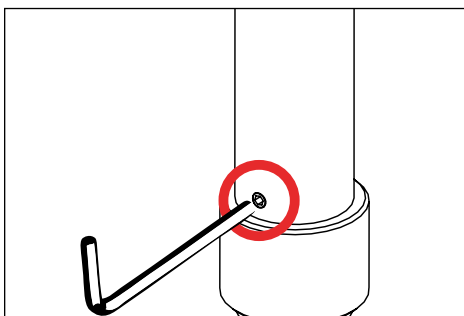
SAVE THESE INSTRUCTIONS

IMPORTANT SAFETY INFORMATION - READ, FOLLOW, AND SAVE ALL SAFETY AND INSTALLATION INSTRUCTIONS

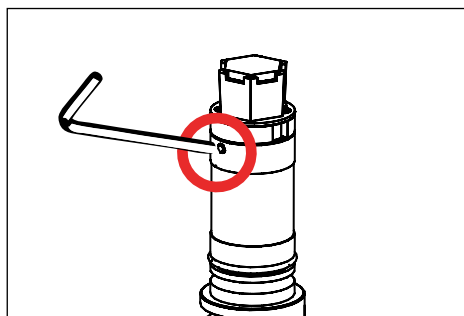
- Product must be installed by a qualified person in a manner consistent with its intended use and in compliance with the National Electrical Code, Canadian Electrical Code, and all Local and Provincial Codes.
- Follow product label information and instructions.
- Qualified Personnel with appropriate personal protective equipment must perform all servicing of this product.
- Before wiring to power supply and during servicing, turn off and lock out power at fuse or circuit breaker before service.
- The use of accessory equipment not recommended by the manufacturer or installed contrary to instructions may cause an unsafe condition. The use of damaged components may cause an unsafe condition and void product warranty.
- Do not block light emanating from product in whole or part, as this may cause an unsafe condition.
- Never operate the fixture with missing or damaged lens. Lens must be cleaned on regular basis.
- Entire fixture may become extremely hot. Do not touch hot lens or fixture body.
- Replace LED assembly only with correct wattage and type of power supply appropriate for LED assembly.
- All gaskets, o-rings and sealing surfaces must be kept clean during installation and service; failure to do this may cause an unsafe condition and void product warranty.

IMPORTANT LISTINGS AND CERTIFICATIONS

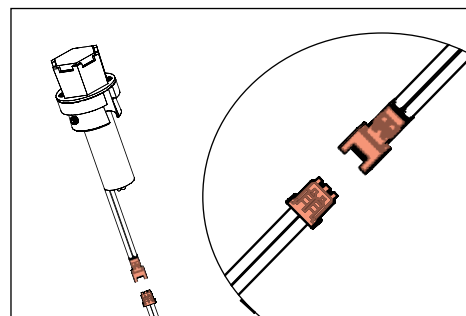
Re-placing LED Board/Driver and Optics



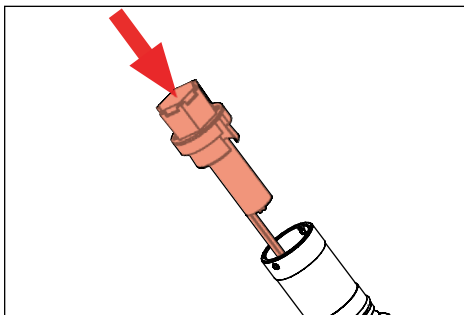
1. Use a 5/64" allen wrench to loosen #8-32 stainless steel set screw and remove cap.



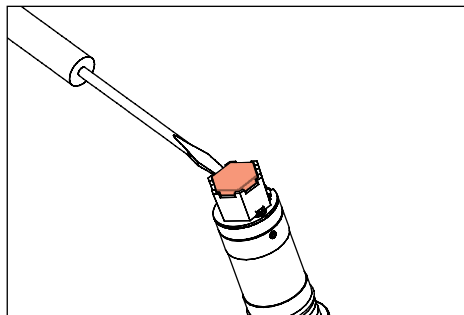
2. Use a .050" allen wrench to loosen two (2) #4-40 stainless steel set screws below LED board on the heat sink. Gently pull up on LED board and Driver assembly to expose quick disconnect.



3. Disengage LED board and driver assembly. Replace with new board and driver assembly.



4. Reverse install LED board and driver by carefully wrapping 18 gauge wires around driver and inserting into fixture body. Secure LED board in place with two (2) #4-40 stainless steel set screws.



5. Use small flat head screw driver to remove lens from optic holder on the LED. Snap new optic in place. Replace cap on fixture and tighten set screw.

IMPORTANT SAFETY INFORMATION - READ, FOLLOW, AND SAVE THESE INSTALLATION INSTRUCTIONS

B-K LIGHTING

40429 Brickyard Drive • Madera, CA 93636 • USA
559.438.5800 • FAX 559.438.5900
www.bklighting.com • info@bklighting.com

RELEASE DATE
08/01/2023

REFERENCE NUMBER
INS000003