



## Standard Installation

# ORION

## YOKE WITH SLIPFITTER ON WALL ARM MOUNT



Flammable



Warning



High Voltage



Hot Surface

### TOOLS NEEDED:



Waterproof Wire Connectors



Adjustable Crescent Wrench



8mm Socket Wrench



Flat Head Screwdriver



TORX T27 Tamper Resistant 1/4" Bit



Mounting Hardware

### INSTRUCTIONS PERTAINING TO A RISK OF FIRE, OR INJURY TO PERSONS IMPORTANT SAFETY INSTRUCTIONS

#### Lighted fixture is HOT!

#### WARNING - To reduce the risk of FIRE OR INJURY TO PERSONS:

Turn off/unplug and allow to cool before replacing lamp/LED. Fixture gets HOT quickly! Contact only switch/plug when turning on. Do not touch hot lens, guard, or enclosure. Keep fixture away from materials that may burn. Do not operate the luminaire fitting with a missing or damaged shield. Do not touch the source at any time. Use a soft cloth or gloves. Oil from skin may cause damage.

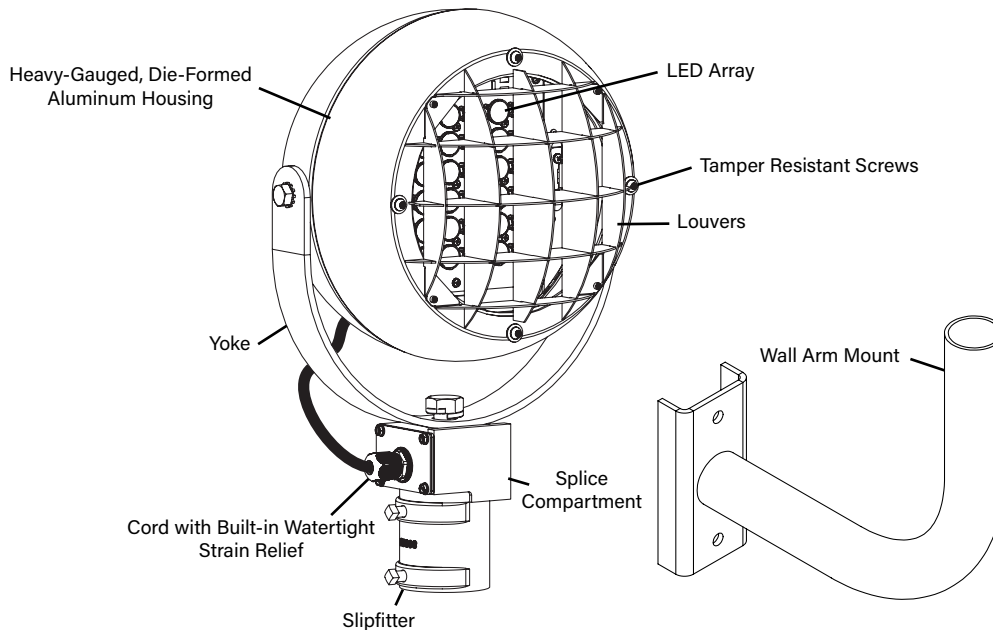
**SAVE THESE INSTRUCTIONS**

### IMPORTANT SAFETY INFORMATION - READ, FOLLOW, AND SAVE ALL SAFETY AND INSTALLATION INSTRUCTIONS

- Product must be installed by a qualified person in a manner consistent with its intended use and in compliance with the National Electrical Code, Canadian Electrical Code, and all Local and Provincial Codes.
- Follow product label information and instructions.
- Qualified Personnel with appropriate personal protective equipment must perform all servicing of this product.
- Before wiring to power supply and during servicing, turn off and lock out power at fuse or circuit breaker before service.
- The use of accessory equipment not recommended by the manufacturer or installed contrary to instructions may cause an unsafe condition. The use of damaged components may cause an unsafe condition and void product warranty.
- Do not block light emanating from product in whole or part, as this may cause an unsafe condition.
- Never operate the fixture with missing or damaged lens. Lens must be cleaned on regular basis.
- Entire fixture may become extremely hot. Do not touch hot lens or fixture body.
- Replace LED assembly only with correct wattage and type of power supply appropriate for LED assembly.
- All gaskets, o-rings and sealing surfaces must be kept clean during installation and service; failure to do this may cause an unsafe condition and void product warranty.

### IMPORTANT LISTINGS AND CERTIFICATIONS

- Suitable for wet locations



## ORION - YOKE WITH SLIPFITTER ON WALL ARM MOUNT

### IMPORTANT SAFETY INFORMATION - READ, FOLLOW, AND SAVE THESE INSTALLATION INSTRUCTIONS

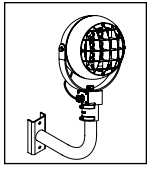
# B-K LIGHTING

40429 Brickyard Drive • Madera, CA 93636 • USA  
559.438.5800 • FAX 559.438.5900  
www.bklighting.com • info@bklighting.com

RELEASE DATE  
06/27/2023

REFERENCE NUMBER  
INS-2506-05

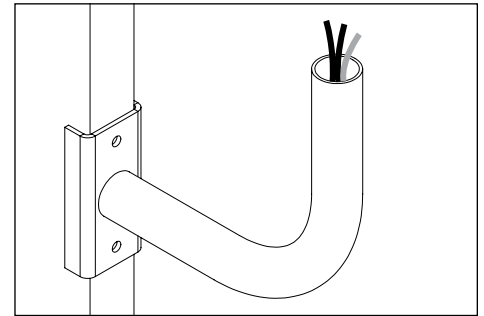
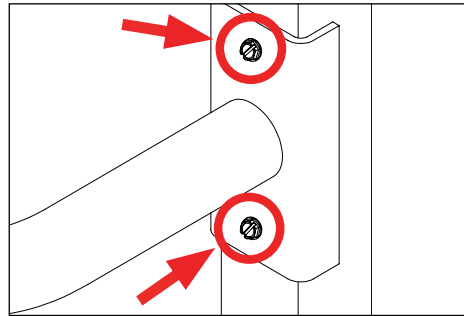
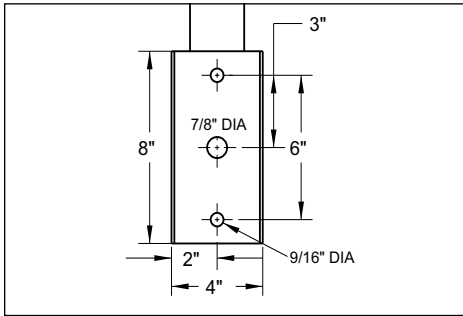
THIS DOCUMENT CONTAINS PROPRIETARY INFORMATION OF B-K LIGHTING, INC. AND ITS RECEIPT OR POSSESSION DOES NOT CONVEY ANY RIGHTS TO REPRODUCE, DISCLOSE ITS CONTENTS, OR TO MANUFACTURE, USE OR SELL ANYTHING IT MAY DESCRIBE. REPRODUCTION, DISCLOSURE OR USE WITHOUT SPECIFIC WRITTEN AUTHORIZATION OF B-K LIGHTING, INC. IS STRICTLY FORBIDDEN.



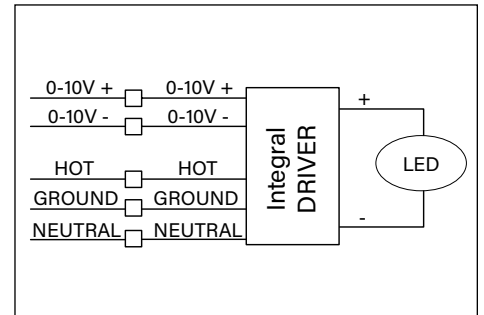
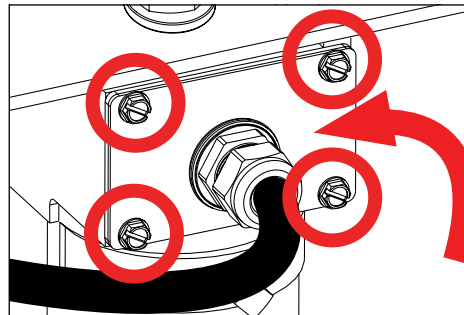
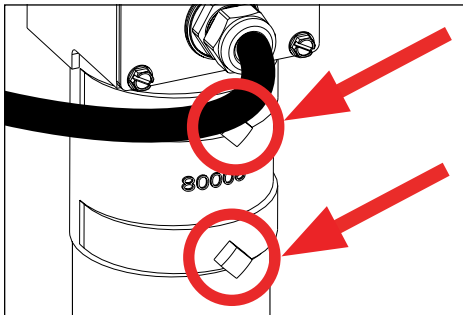
## Standard Installation

# ORION

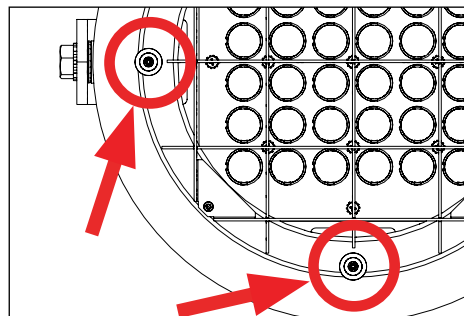
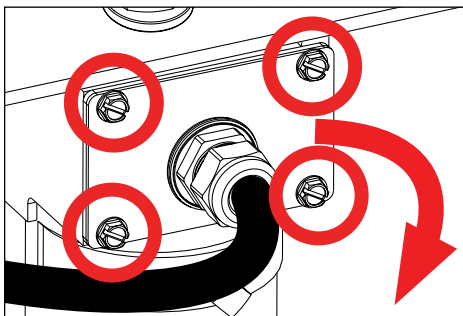
## YOKE WITH SLIPFITTER ON WALL ARM MOUNT



1. Prepare location for wall pole mounting arm. Wall pole mounting arm bracket is 4" wide, clearance holes 2" from side. Mounting arm bracket is 8" tall, with two 9/16" clearance holes 6" apart on center. Wire way in center of mounting bracket is 7/8" diameter.
2. Pull branch circuit wiring needed, then install proper mounting hardware for wall pole mounting arm (hardware not included).
3. Pull branch circuit wiring needed, through pole.



4. Slipfitter comes installed to fixture. Loosen two (2) 3/8-16 square head screws with adjustable wrench, then slide slipfitter with attached yoke and fixture to installed pole tenon on mounting plate until fully seated. Secure with two (2) 3/8-16 square head screws.
  5. Open panel to wiring compartment in slipfitter by loosening four (4) #10-24 hex washer heads using adjustable crescent wrench, 8mm socket wrench, or flat head screwdriver.
- WIRING DIAGRAM**
6. Make watertight connections using waterproof wire connectors to connect incoming primary wiring to integral driver wiring as per NEC. Secondary side is factory wired.



7. Place connections inside wiring compartment in slipfitter. Close panel to wiring compartment in slipfitter by tightening four (4) #10-24 hex washer heads using adjustable crescent wrench, 8mm socket wrench, or flat head screwdriver.
8. To relamp: remove faceplate and louver by loosening four (4) tamper resistant screws using a TORX T27 socket (1/4" bit). Relamp as needed, then reverse install.

**IMPORTANT SAFETY INFORMATION LISTED ON REVERSE  
READ, FOLLOW, AND SAVE ALL SAFETY AND INSTALLATION INSTRUCTIONS**



**B-K LIGHTING**

40429 Brickyard Drive • Madera, CA 93636 • USA  
559.438.5800 • FAX 559.438.5900  
www.bklighting.com • info@bklighting.com

RELEASE DATE  
06/27/2023

REFERENCE NUMBER  
INS-2506-05