

Standard Installation



Flammable



Warning



Low Voltage



Hot Surface

TOOLS NEEDED:

- 1/8" Allen Wrench
- Waterproof Wire Connectors
- Mounting Hardware
- iOS Device with Inspiration App

INSTRUCTIONS PERTAINING TO A RISK OF FIRE, OR INJURY TO PERSONS IMPORTANT SAFETY INSTRUCTIONS

Lighted fixture is HOT!

WARNING - To reduce the risk of FIRE OR INJURY TO PERSONS:

Turn off/unplug and allow to cool before replacing lamp/LED. Fixture gets HOT quickly! Contact only switch/plug when turning on. Do not touch hot lens, guard, or enclosure. Keep fixture away from materials that may burn. Do not operate the luminaire fitting with a missing or damaged shield. Do not touch the source at any time. Use a soft cloth or gloves. Oil from skin may cause damage.

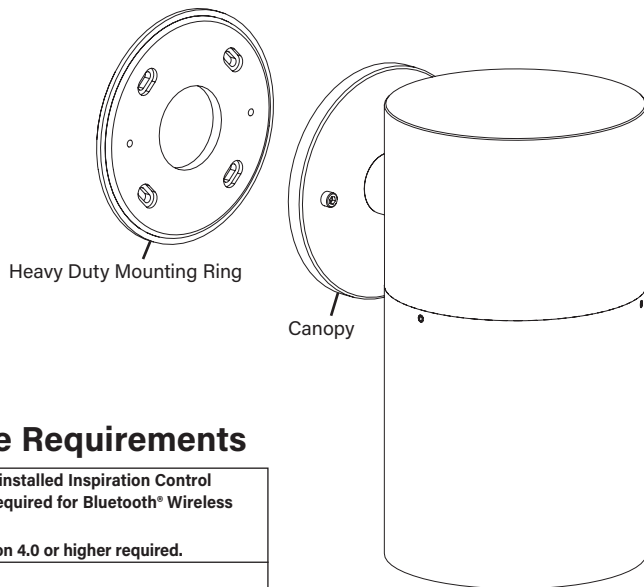
SAVE THESE INSTRUCTIONS

IMPORTANT SAFETY INFORMATION - READ, FOLLOW, AND SAVE ALL SAFETY AND INSTALLATION INSTRUCTIONS

- Product must be installed by a qualified person in a manner consistent with its intended use and in compliance with the National Electrical Code, Canadian Electrical Code, and all Local and Provincial Codes.
- Follow product label information and instructions.
- Qualified Personnel with appropriate personal protective equipment must perform all servicing of this product.
- Before wiring to power supply and during servicing, turn off and lock out power at fuse or circuit breaker before service.
- The use of accessory equipment not recommended by the manufacturer or installed contrary to instructions may cause an unsafe condition. The use of damaged components may cause an unsafe condition and void product warranty.
- Do not block light emanating from product in whole or part, as this may cause an unsafe condition.
- Never operate the fixture with missing or damaged lens. Lens must be cleaned on regular basis.
- Entire fixture may become extremely hot. Do not touch hot lens or fixture body.
- Replace LED assembly only with correct wattage and type of power supply appropriate for LED assembly.
- All gaskets, o-rings and sealing surfaces must be kept clean during installation and service; failure to do this may cause an unsafe condition and void product warranty.

IMPORTANT LISTINGS AND CERTIFICATIONS

- Suitable for wet locations



Heavy Duty Mounting Ring

Canopy

AP - Alpine

REMOTE WIRING

LED Driver

Remote driver installations require inter-connected wiring between the LED and driver (not included). Drivers have specific wiring requirements between these components. Driver manufacturers regularly recommend the following wiring details for such installations:

- Do not exceed 50 foot overall wiring distance using 12 gauge copper wire.

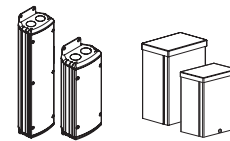
Failure to comply with specific wiring requirements will void product warranty.

DRIVER HOUSING REQUIRED

Please refer to specified remote driver housing documentation for detailed installation instructions.

REMOTE DRIVER HOUSINGS:

- PM3RM - Universal Power Module 3 Remote
- PM3DRM - Universal Power Module 3 Dual Remote
- RM - Remote Wall Mount
- DRM - Dual Remote Wall Mount



PM3RM & PM3DRM RM & DRM

Device Requirements

Warning: iOS device with installed Inspiration Control System App is required for Bluetooth® Wireless Control.

Bluetooth® version 4.0 or higher required.

iOS Devices:

- iPhone - iPhone 4s or newer
- iPad - 3rd Gen iPad or newer
- iPad Mini
- iPad Air
- iPod - iPod Touch 5th Gen or newer

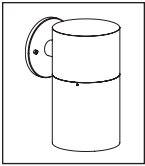
IMPORTANT SAFETY INFORMATION - READ, FOLLOW, AND SAVE THESE INSTALLATION INSTRUCTIONS

B-K LIGHTING

40429 Brickyard Drive • Madera, CA 93636 • USA
559.438.5800 • FAX 559.438.5900
www.bklighting.com • info@bklighting.com

RELEASE DATE
08/15/2023

REFERENCE NUMBER
INS-2313-00

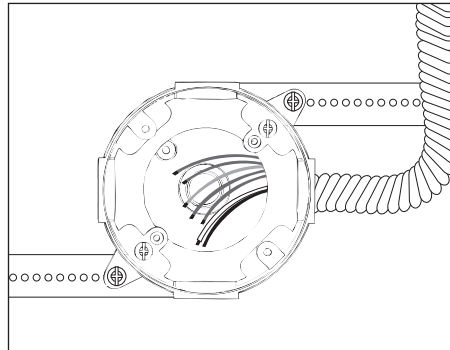


Standard Installation

⚠️ iOS device (Not Included) with installed B-K Lighting Inspiration Application required for use.

Phase 1 - Rough In

Installation of Back box



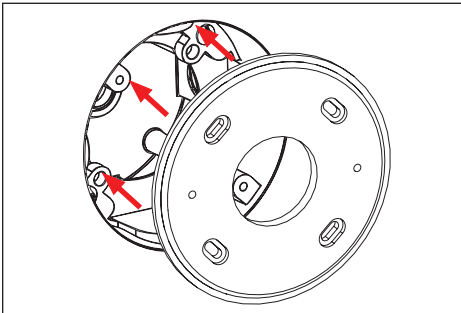
1. Install conduit (not included) to be used with this product.
2. Install junction box (not included) so that front face is flush with finished wall. Seal building envelope as per NEC.
3. Connect box to conduit and pull wires for connections (**See wiring diagram**).



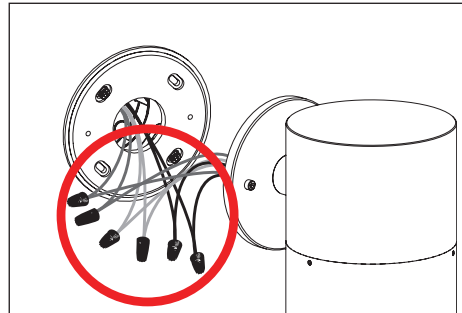
Additional Info

- Please follow National and Local electrical codes for your area.
- Suitable for through wire.
- Suitable for installation into combustible materials.
- Rated for 90° C.
- Use appropriate size junction box for specified canopy.
- Junction box, universal mounting ring screws, box mounting hardware and gaskets (not included).

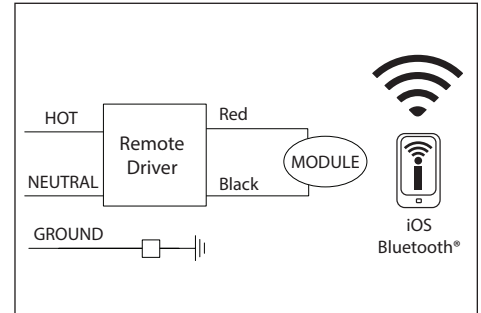
Phase 2 - Finish Installation of Fixture



1. Install mounting ring (mounting ring included with fixture) using mounting hardware (not included) onto back box. Align fixture mounting holes to final mounting position.



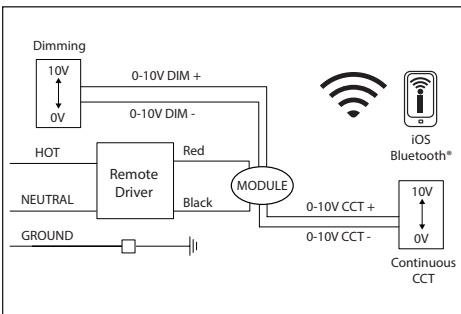
2. Make connections from remote driver and external dimming controls to fixture and module leads using proper wire connectors (not included). Number of wires and connections varies with wiring as per lighting plan. **See wiring diagrams.**



WIRING DIAGRAM - Wireless Bluetooth® Controls with Inspiration Application on iOS device

iOS device controls dimming, CCT, Saturation, and Hue using Bluetooth® wireless controls and the application.

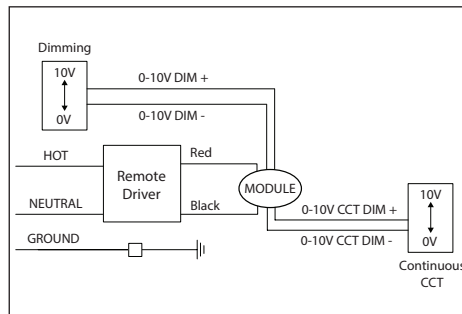
⚠️ iOS device must be within 5ft of fixture for wireless operation.



WIRING DIAGRAM - Hybrid

Secondary wiring from remote driver connects to fixture leads. 0-10V dimming connects to module. 0-10V Continuous CCT connects to module. iOS device controls Saturation and Hue.

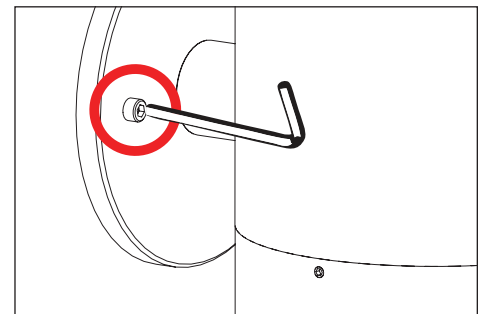
⚠️ iOS device must be within 5ft of fixture for wireless operation.



WIRING DIAGRAM - 0-10V Wired

Secondary wiring from remote driver connects to fixture leads. 0-10V dimming connects to module. 0-10V Continuous CCT connects to module and controls CCT.

⚠️ iOS device must be within 5ft of fixture for wireless operation.



4. Place connections in back box, then mount fixture using two (2) #10-24 screws to installed back box using a 1/8" allen wrench. **Seal building envelope as per NEC. Do not overtighten.**

**IMPORTANT SAFETY INFORMATION LISTED ON REVERSE
READ, FOLLOW, AND SAVE ALL SAFETY AND INSTALLATION INSTRUCTIONS**

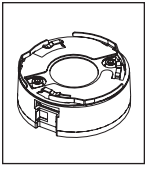


B-K LIGHTING

40429 Brickyard Drive • Madera, CA 93636 • USA
559.438.5800 • FAX 559.438.5900
www.bklighting.com • info@bklighting.com

RELEASE DATE
08/15/2023

REFERENCE NUMBER
INS-2313-00



Module Replacement

LED MODULE/OPTICS

5-1/2" DIAMETER



Flammable



Warning



Low Voltage

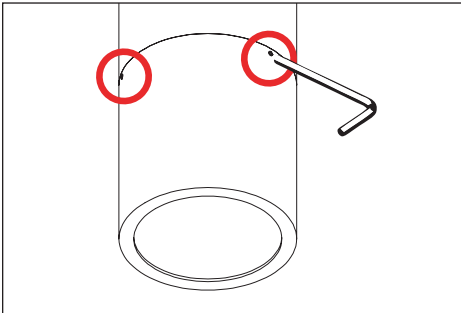


Hot Surface

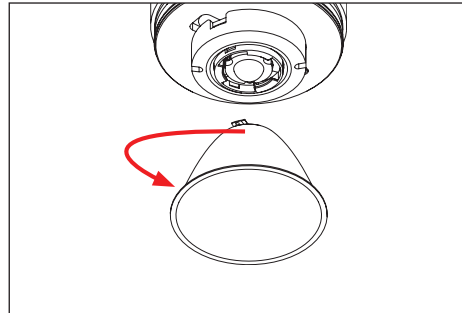
TOOLS NEEDED:

- 7/64", 3/32" & .050" Allen Wrench
- Thermal Paste (Included)

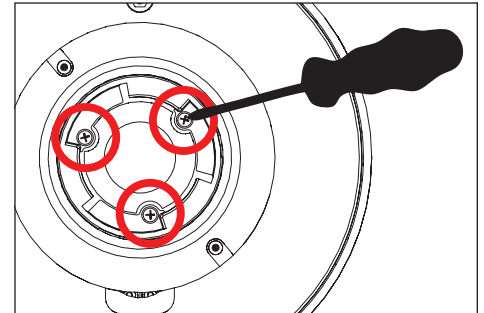
To Replace Components



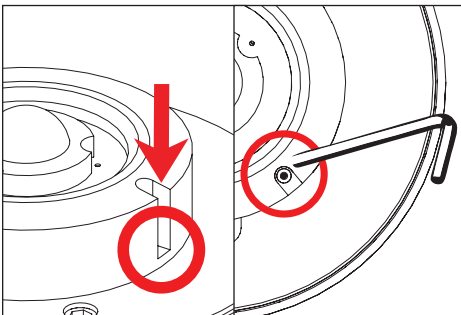
1. Remove cap by loosening three (3) #10-32 set screws using a 3/32" allen wrench.



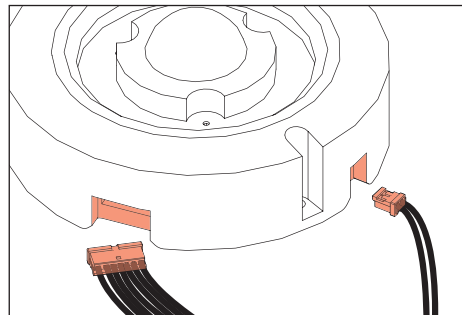
2. Gently twist optic to the left so optic tabs are clear of optic holder and carefully pull away.



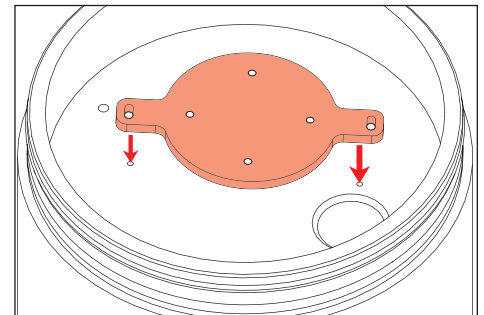
3. Loosen, then remove three (3) #2-28 screws from optic holder using a phillips screwdriver. Remove optic holder from module.



4. Loosen and remove two (2) #2-56 screws holding LED module to heatsink using 0.050" Allen wrench.

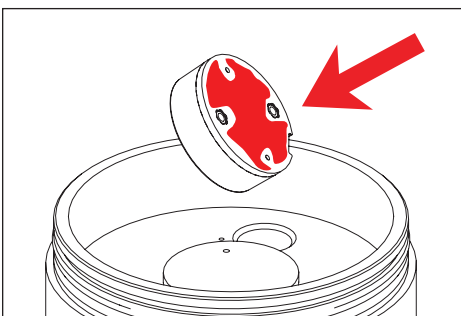


5. Carefully remove LED module from heatsink, then disconnect the quick disconnects for the wiring and the control wiring from the fixture to the LED module.

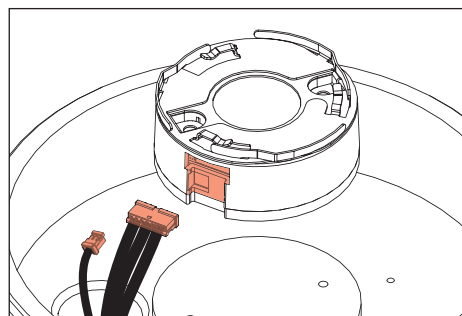


6. **For upgrading fixtures with previous module:** Install adapter plate. Line up tabs with outer two mounting holes, then secure with two (2) #2-56

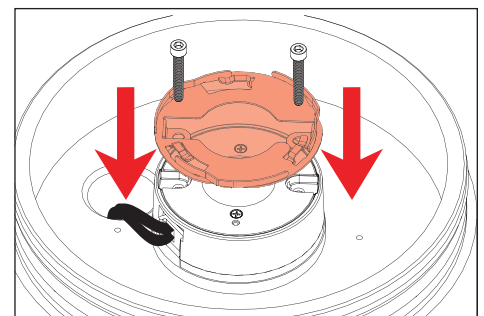
Do not pull on connectors or wiring. Handle with care.



7. Spread thin, even layer of thermal paste on back of new LED module.



8. Connect new LED module to fixture via quick disconnects for wiring and for control wiring.



9. Place new LED module onto heatsink, lining up module with holes for screws.

IMPORTANT SAFETY INFORMATION - READ, FOLLOW, AND SAVE THESE INSTALLATION INSTRUCTIONS

B-K LIGHTING

40429 Brickyard Drive • Madera, CA 93636 • USA
559.438.5800 • FAX 559.438.5900
www.bklighting.com • info@bklighting.com

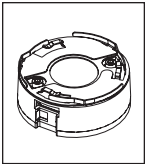
RELEASE DATE
08/15/2023

REFERENCE NUMBER
INS-2321-07

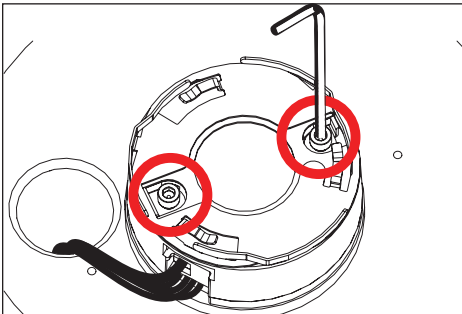
THIS DOCUMENT CONTAINS PROPRIETARY INFORMATION OF B-K LIGHTING, INC. AND ITS RECEIPT OR POSSESSION DOES NOT CONVEY ANY RIGHTS TO REPRODUCE, DISCLOSE ITS CONTENTS, OR TO MANUFACTURE, USE OR SELL ANYTHING IT MAY DESCRIBE. REPRODUCTION, DISCLOSURE OR USE WITHOUT SPECIFIC WRITTEN AUTHORIZATION OF B-K LIGHTING, INC. IS STRICTLY FORBIDDEN.

LED MODULE/OPTICS

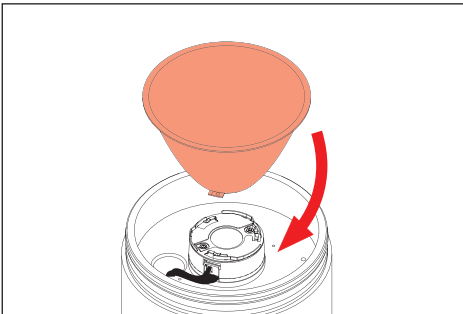
5-1/2" DIAMETER



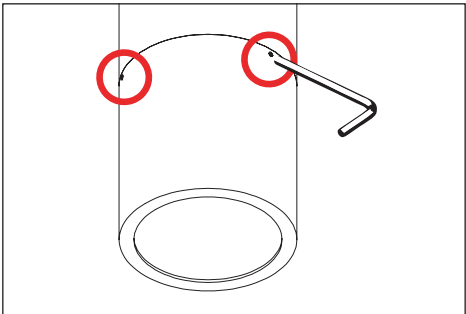
Module Replacement



10. Secure LED module and optic holder to heatsink with two (2) #2-56 screws using a 0.050" allen wrench.



11. Line up optic tabs in the optic holder, then gently twist to the right.



12. Place cap on fixture and tighten three (3) #10-32 set screws with a 3/32" allen wrench. Tighten screws to 1/2 in-lbs. Top of screws should sit flush with fixture cap.

Warning: Do not over tighten set screw. Doing so will compromise o-ring seal and will void warranty.

**IMPORTANT SAFETY INFORMATION LISTED ON REVERSE
READ, FOLLOW, AND SAVE ALL SAFETY AND INSTALLATION INSTRUCTIONS**



B-K LIGHTING

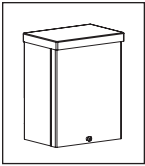
40429 Brickyard Drive • Madera, CA 93636 • USA
559.438.5800 • FAX 559.438.5900
www.bklighting.com • info@bklighting.com

RELEASE DATE
08/15/2023

REFERENCE NUMBER
INS-2321-07

NEMA 3R REMOTE DRIVER

INSPIRATION CONTROL SYSTEM



Standard Installation



Flammable



Warning



High Voltage



Hot Surface

TOOLS NEEDED:



1/8" Allen wrench



Phillips Screwdriver



Level



Hammer



Mounting Hardware



ISOS Device with Inspiration App

INSTRUCTIONS PERTAINING TO A RISK OF FIRE, OR INJURY TO PERSONS IMPORTANT SAFETY INSTRUCTIONS

Lighted fixture is HOT!

WARNING - To reduce the risk of FIRE OR INJURY TO PERSONS:

Turn off/unplug and allow to cool before replacing lamp/LED. Fixture gets HOT quickly! Contact only switch/plug when turning on. Do not touch hot lens, guard, or enclosure. Keep fixture away from materials that may burn. Do not operate the luminaire fitting with a missing or damaged shield. Do not touch the source at any time. Use a soft cloth or gloves. Oil from skin may cause damage.

SAVE THESE INSTRUCTIONS

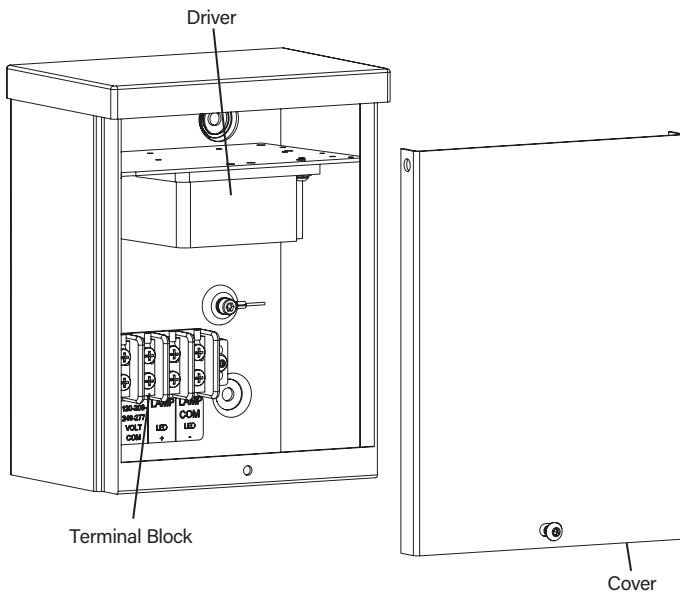
IMPORTANT SAFETY INFORMATION - READ, FOLLOW, AND SAVE ALL SAFETY AND INSTALLATION INSTRUCTIONS

- Product must be installed by a qualified person in a manner consistent with its intended use and in compliance with the National Electrical Code, Canadian Electrical Code, and all Local and Provincial Codes.
- Follow product label information and instructions.
- Qualified Personnel with appropriate personal protective equipment must perform all servicing of this product.
- Before wiring to power supply and during servicing, turn off and lock out power at fuse or circuit breaker before service.
- The use of accessory equipment not recommended by the manufacturer or installed contrary to instructions may cause an unsafe condition. The use of damaged components may cause an unsafe condition and void product warranty.
- Do not block light emanating from product in whole or part, as this may cause an unsafe condition.
- Never operate the fixture with missing or damaged lens. Lens must be cleaned on regular basis.
- Entire fixture may become extremely hot. Do not touch hot lens or fixture body.
- Replace LED assembly only with correct wattage and type of power supply appropriate for LED assembly.
- All gaskets, o-rings and sealing surfaces must be kept clean during installation and service; failure to do this may cause an unsafe condition and void product warranty.

IMPORTANT LISTINGS AND CERTIFICATIONS

- Suitable for wet locations

RM - Single Remote Housing



⚠ REMOTE WIRING

LED Driver

Remote driver installations require inter-connected wiring between the LED and driver (not included). Drivers have specific wiring requirements between these components. Driver manufacturers regularly recommend the following wiring details for such installations:

- Do not exceed 50 foot overall wiring distance using 12 gauge copper wire.

Failure to comply with specific wiring requirements will void product warranty.

⚠ Device Requirements

⚠ iOS device with installed Inspiration Control System App is required for Bluetooth® Wireless Control.

Bluetooth® version 4.0 or higher required.

iOS Devices:

- iPhone** - iPhone 4s or newer
- iPad** - 3rd Gen iPad or newer
iPad Mini
iPad Air
- iPod** - iPod Touch 5th Gen or newer

IMPORTANT SAFETY INFORMATION - READ, FOLLOW, AND SAVE THESE INSTALLATION INSTRUCTIONS

B-K LIGHTING

40429 Brickyard Drive • Madera, CA 93636 • USA
559.438.5800 • FAX 559.438.5900
www.bklighting.com • info@bklighting.com

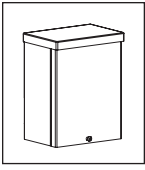
RELEASE DATE
08/15/2023

REFERENCE NUMBER
INS-2564-00

THIS DOCUMENT CONTAINS PROPRIETARY INFORMATION OF B-K LIGHTING, INC. AND ITS RECEIPT OR POSSESSION DOES NOT CONVEY ANY RIGHTS TO REPRODUCE, DISCLOSE ITS CONTENTS, OR TO MANUFACTURE, USE OR SELL ANYTHING IT MAY DESCRIBE. REPRODUCTION, DISCLOSURE OR USE WITHOUT SPECIFIC WRITTEN AUTHORIZATION OF B-K LIGHTING, INC. IS STRICTLY FORBIDDEN.

NEMA 3R REMOTE DRIVER

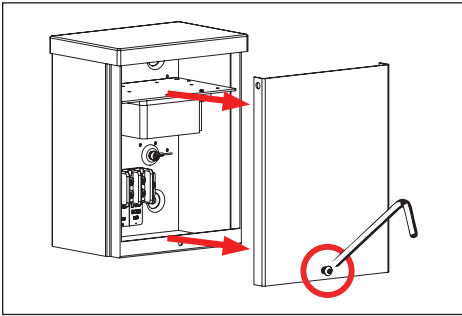
INSPIRATION CONTROL SYSTEM



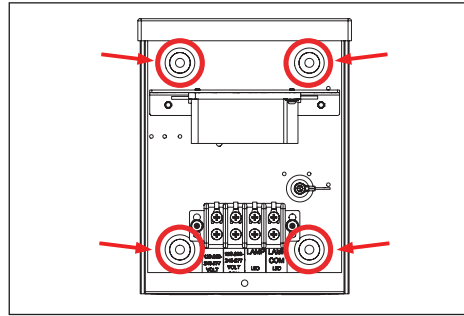
Standard Installation

⚠️ iOS device (not included) with installed B-K Lighting Inspiration Application required for use.

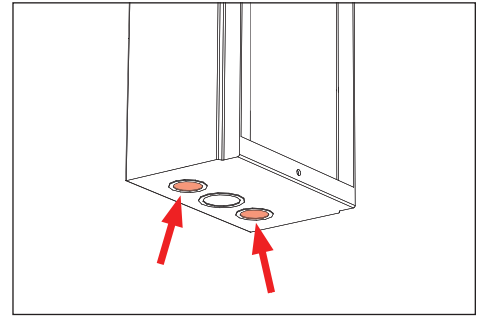
Housing Installation



1. Remove cover by removing #10-24 cover screw using a 1/8" allen wrench.

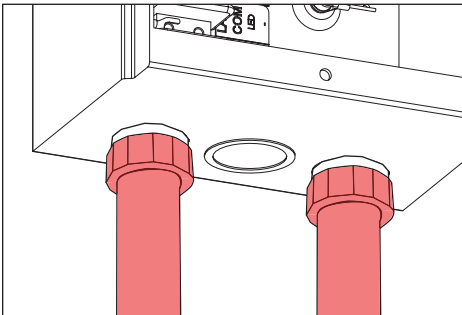


2. Attach the NEMA 3R housing at mounting holes with 1/4" fasteners. Use suitable mounting hardware for surface. Use level to ensure a level install.

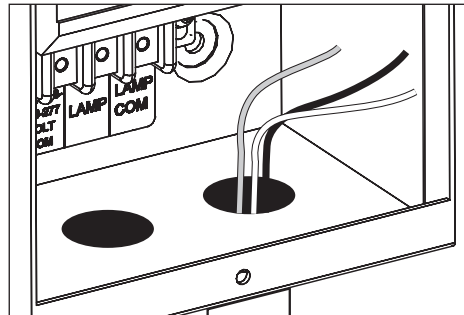


3. Remove knockout(s) with hammer as needed from the NEMA 3R housing. Leave remaining unused knockouts in place to maintain seal.

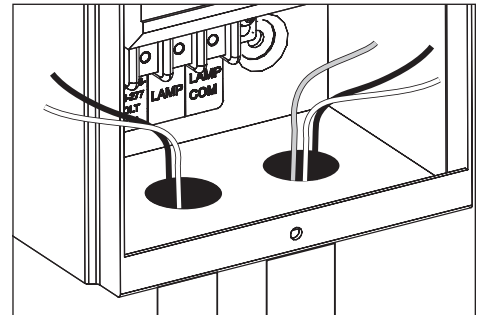
⚠️ NOTE: Many methods exist to bolt to a flat surface. The housing is provided with mounting brackets with 1/4" holes.



4. Connect conduit connector through female threaded conduit entry.



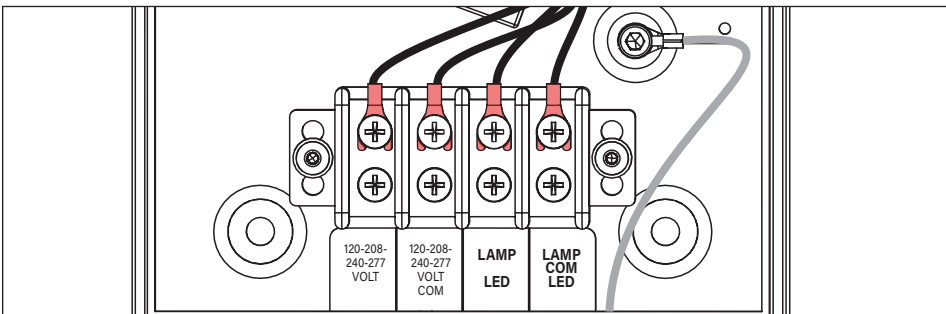
5. Pull branch circuit wiring necessary for installation.



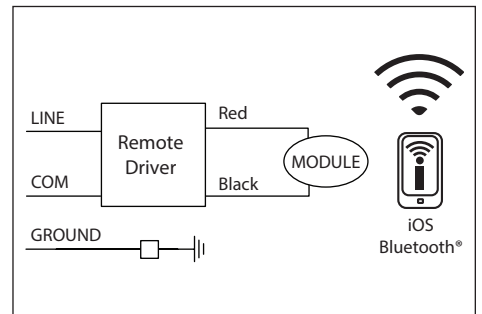
6. Pull secondary leads necessary for installation through dedicated conduit.

⚠️ NOTE: Surface conduit is a common entrance for water if not properly sealed. Seal connector threads and conduit with a suitable sealant (teflon tape, adhesive, etc.). Sealing the conduit after knockouts are removed is required to maintain warranty.

⚠️ NOTE: Failure to comply with specific wiring requirements will void product warranty.



7. Connect branch circuit to terminal block. Connect incoming ground to ground wire provided on NEMA 3R housing. Connect secondary lamp leads to terminal. See labels on terminal block for additional information.



WIRING DIAGRAM - Wireless Bluetooth® Controls with Inspiration Application on iOS device

iOS device controls dimming, CCT, Saturation, and Hue using Bluetooth® wireless controls and the application.

**IMPORTANT SAFETY INFORMATION LISTED ON REVERSE
READ, FOLLOW, AND SAVE ALL SAFETY AND INSTALLATION INSTRUCTIONS**

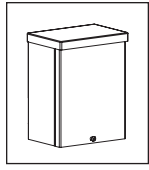


B-K LIGHTING

40429 Brickyard Drive • Madera, CA 93636 • USA
559.438.5800 • FAX 559.438.5900
www.bklighting.com • info@bklighting.com

RELEASE DATE
08/15/2023

REFERENCE NUMBER
INS-2564-00

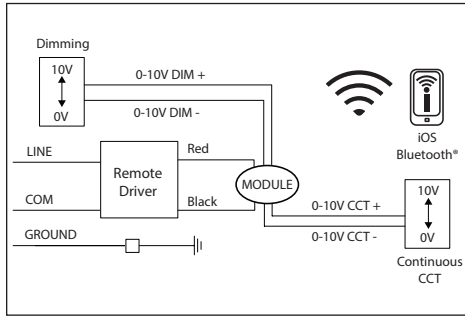


NEMA 3R REMOTE DRIVER

INSPIRATION CONTROL SYSTEM

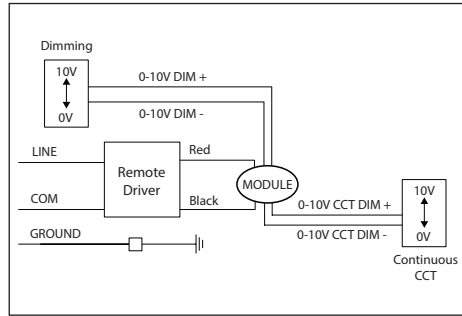
Standard Installation

⚠️ iOS device (not included) with installed B-K Lighting Inspiration Application required for use.



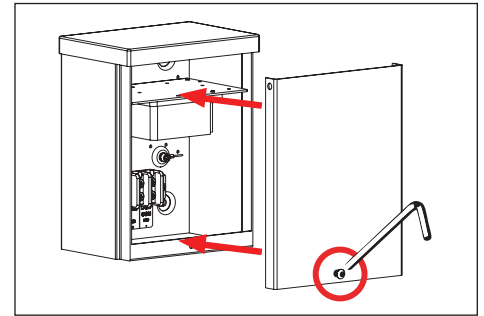
WIRING DIAGRAM - Hybrid

Secondary wiring from remote driver connects to fixture leads. 0-10V dimming connects to module. 0-10V Continuous CCT connects to module. iOS device controls Saturation and Hue.



WIRING DIAGRAM - 0-10V Wired

Secondary wiring from remote driver connects to fixture leads. 0-10V dimming connects to module. 0-10V Continuous CCT connects to module and controls CCT.



8. Re-attach cover. Tighten cover screw.

**IMPORTANT SAFETY INFORMATION LISTED ON REVERSE
READ, FOLLOW, AND SAVE ALL SAFETY AND INSTALLATION INSTRUCTIONS**

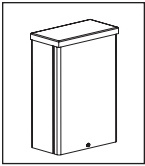


B-K LIGHTING

40429 Brickyard Drive • Madera, CA 93636 • USA
559.438.5800 • FAX 559.438.5900
www.bklighting.com • info@bklighting.com

RELEASE DATE
08/15/2023

REFERENCE NUMBER
INS-2564-00



NEMA 3R DUAL REMOTE DRIVER

INSPIRATION CONTROL SYSTEM

Standard Installation



Flammable



Warning



High Voltage



Hot Surface

TOOLS NEEDED:



1/8" Allen wrench



Phillips Screwdriver



Level



Hammer



Mounting Hardware



ISOS Device with Inspiration App

INSTRUCTIONS PERTAINING TO A RISK OF FIRE, OR INJURY TO PERSONS IMPORTANT SAFETY INSTRUCTIONS

Lighted fixture is HOT!

WARNING - To reduce the risk of FIRE OR INJURY TO PERSONS:

Turn off/unplug and allow to cool before replacing lamp/LED. Fixture gets HOT quickly! Contact only switch/plug when turning on. Do not touch hot lens, guard, or enclosure. Keep fixture away from materials that may burn. Do not operate the luminaire fitting with a missing or damaged shield. Do not touch the source at any time. Use a soft cloth or gloves. Oil from skin may cause damage.

SAVE THESE INSTRUCTIONS

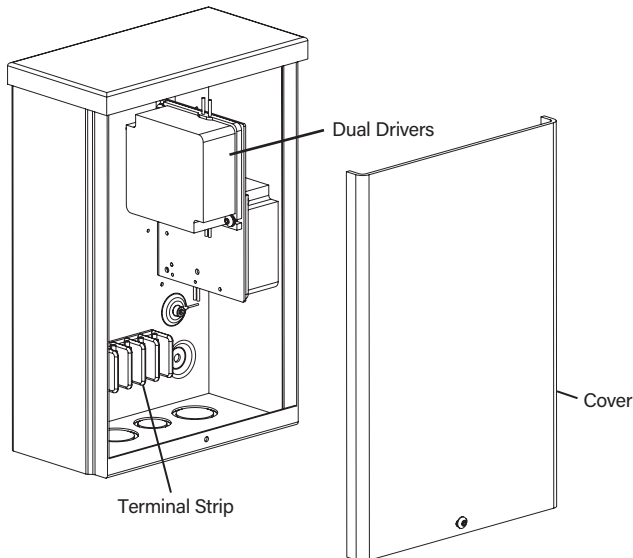
IMPORTANT SAFETY INFORMATION - READ, FOLLOW, AND SAVE ALL SAFETY AND INSTALLATION INSTRUCTIONS

- Product must be installed by a qualified person in a manner consistent with its intended use and in compliance with the National Electrical Code, Canadian Electrical Code, and all Local and Provincial Codes.
- Follow product label information and instructions.
- Qualified Personnel with appropriate personal protective equipment must perform all servicing of this product.
- Before wiring to power supply and during servicing, turn off and lock out power at fuse or circuit breaker before service.
- The use of accessory equipment not recommended by the manufacturer or installed contrary to instructions may cause an unsafe condition. The use of damaged components may cause an unsafe condition and void product warranty.
- Do not block light emanating from product in whole or part, as this may cause an unsafe condition.
- Never operate the fixture with missing or damaged lens. Lens must be cleaned on regular basis.
- Entire fixture may become extremely hot. Do not touch hot lens or fixture body.
- Replace LED assembly only with correct wattage and type of power supply appropriate for LED assembly.
- All gaskets, o-rings and sealing surfaces must be kept clean during installation and service; failure to do this may cause an unsafe condition and void product warranty.

IMPORTANT LISTINGS AND CERTIFICATIONS

- Suitable for wet locations

DRM - Dual Remote Housing



⚠ REMOTE WIRING

LED Driver

Remote driver installations require inter-connected wiring between the LED and driver (not included). Drivers have specific wiring requirements between these components. Driver manufacturers regularly recommend the following wiring details for such installations:

- Do not exceed 50 foot overall wiring distance using 12 gauge copper wire.

Failure to comply with specific wiring requirements will void product warranty.

⚠ Device Requirements

⚠ iOS device with installed Inspiration Control System App is required for Bluetooth® Wireless Control.

Bluetooth® version 4.0 or higher required.

iOS Devices:

- iPhone** - iPhone 4s or newer
- iPad** - 3rd Gen iPad or newer
iPad Mini
iPad Air
- iPod** - iPod Touch 5th Gen or newer

IMPORTANT SAFETY INFORMATION - READ, FOLLOW, AND SAVE THESE INSTALLATION INSTRUCTIONS

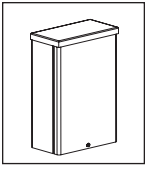
B-K LIGHTING

40429 Brickyard Drive • Madera, CA 93636 • USA
559.438.5800 • FAX 559.438.5900
www.bklighting.com • info@bklighting.com

RELEASE DATE
08/15/2023

REFERENCE NUMBER
INS-2564-01

THIS DOCUMENT CONTAINS PROPRIETARY INFORMATION OF B-K LIGHTING, INC. AND ITS RECEIPT OR POSSESSION DOES NOT CONVEY ANY RIGHTS TO REPRODUCE, DISCLOSE ITS CONTENTS, OR TO MANUFACTURE, USE OR SELL ANYTHING IT MAY DESCRIBE. REPRODUCTION, DISCLOSURE OR USE WITHOUT SPECIFIC WRITTEN AUTHORIZATION OF B-K LIGHTING, INC. IS STRICTLY FORBIDDEN.



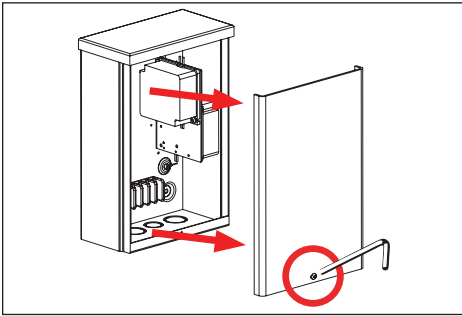
NEMA 3R DUAL REMOTE DRIVER

INSPIRATION CONTROL SYSTEM

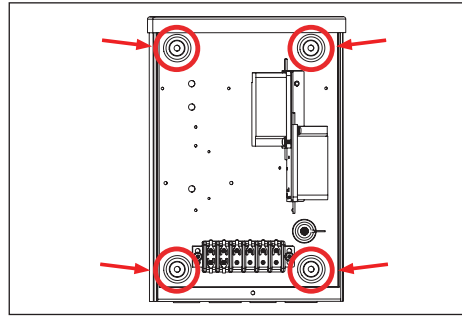
Standard Installation

⚠️ iOS device (not included) with installed B-K Lighting Inspiration Application required for use.

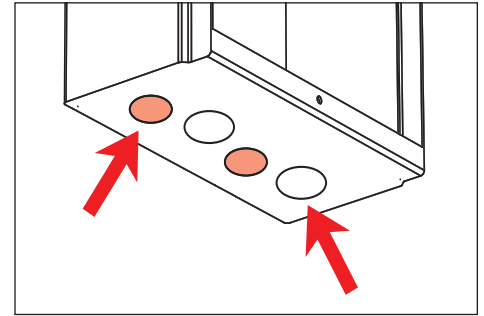
Housing Installation



1. Remove cover by removing #10-24 cover screw using a 1/8" allen wrench.

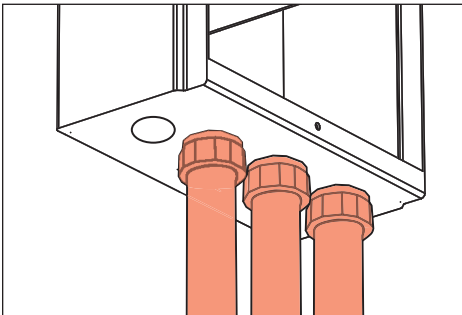


2. Attach the NEMA 3R housing at mounting holes with 1/4" fasteners. Use suitable mounting hardware for surface. Use level to ensure a level install.

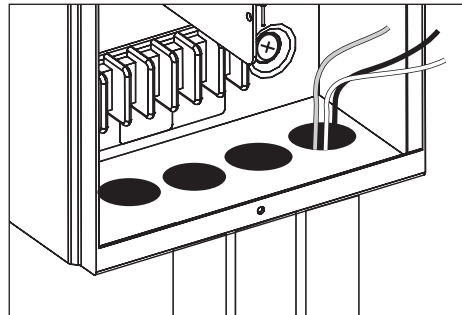


3. Remove knockout(s) with hammer as needed from the NEMA 3R housing. Leave remaining unused knockouts in place to maintain seal.

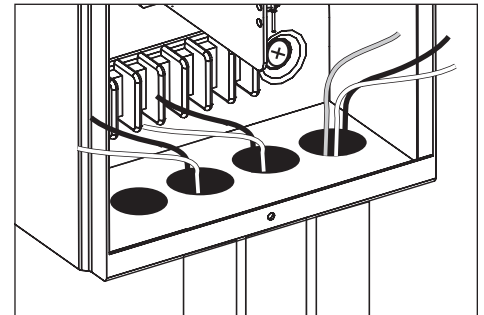
⚠️ NOTE: Many methods exist to bolt to a flat surface. The housing is provided with mounting brackets with 1/4" holes.



4. Connect conduit connector through female threaded conduit entry.



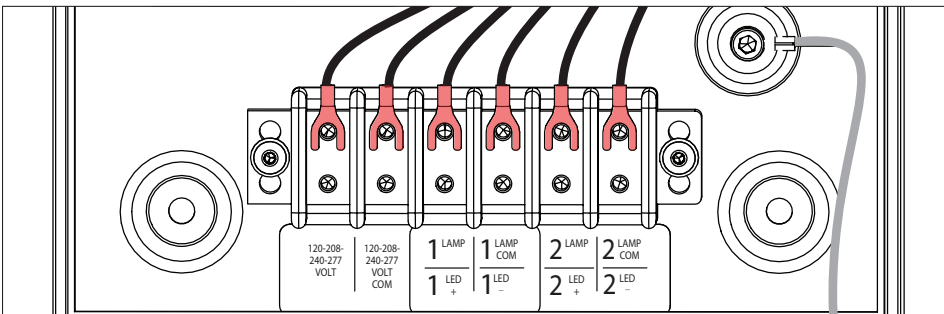
5. Pull branch circuit wiring necessary for installation.



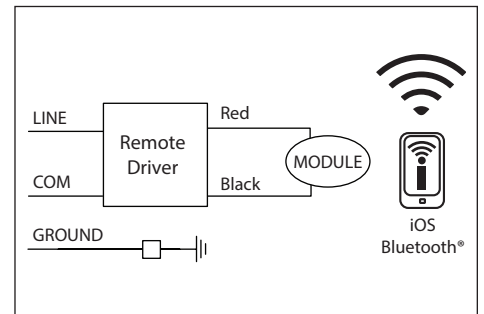
6. Pull secondary lamp leads necessary for installation through dedicated conduit.

⚠️ NOTE: Surface conduit is a common entrance for water if not properly sealed. Seal connector threads and conduit with a suitable sealant (teflon tape, adhesive, etc.). Sealing the conduit after knockouts are removed is required to maintain warranty.

⚠️ NOTE: Failure to comply with specific wiring requirements will void product warranty.



7. **Terminal Block Wiring** - Connect branch circuit to terminal block. Connect incoming ground to ground wire provided on NEMA 3R housing. Connect secondary lamp leads to terminal block. See labels on terminal block for additional information.



WIRING DIAGRAM - Wireless Bluetooth® Controls with Inspiration Application on iOS device

iOS device controls dimming, CCT, Saturation, and Hue using Bluetooth® wireless controls and the application.

**IMPORTANT SAFETY INFORMATION LISTED ON REVERSE
READ, FOLLOW, AND SAVE ALL SAFETY AND INSTALLATION INSTRUCTIONS**

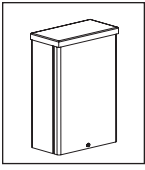


B-K LIGHTING

40429 Brickyard Drive • Madera, CA 93636 • USA
559.438.5800 • FAX 559.438.5900
www.bklighting.com • info@bklighting.com

RELEASE DATE
08/15/2023

REFERENCE NUMBER
INS-2564-01

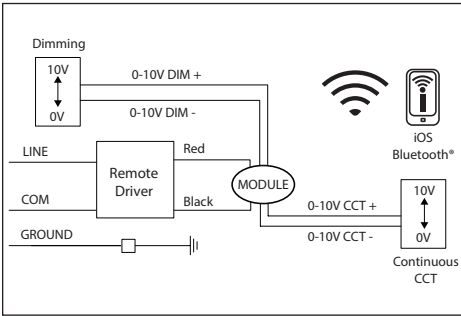


NEMA 3R DUAL REMOTE DRIVER

INSPIRATION CONTROL SYSTEM

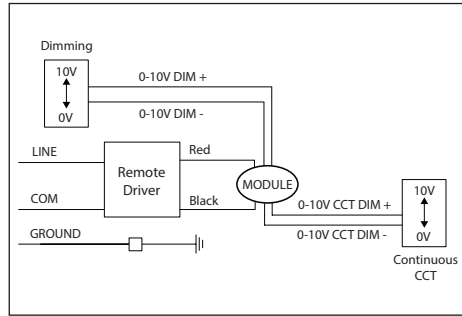
Standard Installation

⚠️ iOS device (not included) with installed B-K Lighting Inspiration Application required for use.



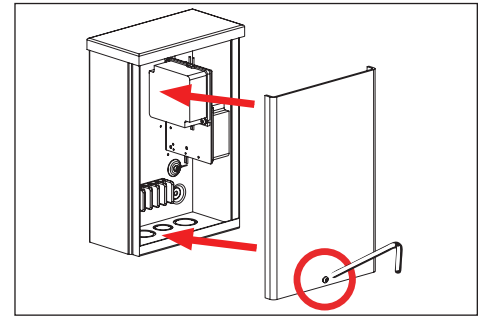
WIRING DIAGRAM - Hybrid

Secondary wiring from remote driver connects to fixture leads. 0-10V dimming connects to module. 0-10V Continuous CCT connects to module. iOS device controls Saturation and Hue.



WIRING DIAGRAM - 0-10V Wired

Secondary wiring from remote driver connects to fixture leads. 0-10V dimming connects to module. 0-10V Continuous CCT connects to module and controls CCT.



8. Re-attach cover. Tighten cover screw.

**IMPORTANT SAFETY INFORMATION LISTED ON REVERSE
READ, FOLLOW, AND SAVE ALL SAFETY AND INSTALLATION INSTRUCTIONS**

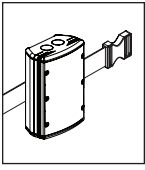


B-K LIGHTING

40429 Brickyard Drive • Madera, CA 93636 • USA
559.438.5800 • FAX 559.438.5900
www.bklighting.com • info@bklighting.com

RELEASE DATE
08/15/2023

REFERENCE NUMBER
INS-2564-01



Standard Installation

PM3RM TREE STRAP

INSPIRATION CONTROL SYSTEM



Flammable



Warning



High Voltage



Hot Surface

TOOLS NEEDED:



1/8" Allen Wrench



Waterproof Wire Connectors



Hammer



Phillips Screwdriver



iOS Device with Inspiration App

INSTRUCTIONS PERTAINING TO A RISK OF FIRE, OR INJURY TO PERSONS IMPORTANT SAFETY INSTRUCTIONS

Lighted fixture is HOT!

WARNING - To reduce the risk of FIRE OR INJURY TO PERSONS:

Turn off/unplug and allow to cool before replacing lamp/LED. Fixture gets HOT quickly! Contact only switch/plug when turning on. Do not touch hot lens, guard, or enclosure. Keep fixture away from materials that may burn. Do not operate the luminaire fitting with a missing or damaged shield. Do not touch the source at any time. Use a soft cloth or gloves. Oil from skin may cause damage.

SAVE THESE INSTRUCTIONS

IMPORTANT SAFETY INFORMATION - READ, FOLLOW, AND SAVE ALL SAFETY AND INSTALLATION INSTRUCTIONS

- Product must be installed by a qualified person in a manner consistent with its intended use and in compliance with the National Electrical Code, Canadian Electrical Code, and all Local and Provincial Codes.
- Follow product label information and instructions.
- Qualified Personnel with appropriate personal protective equipment must perform all servicing of this product.
- Before wiring to power supply and during servicing, turn off and lock out power at fuse or circuit breaker before service.
- The use of accessory equipment not recommended by the manufacturer or installed contrary to instructions may cause an unsafe condition. The use of damaged components may cause an unsafe condition and void product warranty.
- Do not block light emanating from product in whole or part, as this may cause an unsafe condition.
- Never operate the fixture with missing or damaged lens. Lens must be cleaned on regular basis.
- Entire fixture may become extremely hot. Do not touch hot lens or fixture body.
- Replace LED assembly only with correct wattage and type of power supply appropriate for LED assembly.
- All gaskets, o-rings and sealing surfaces must be kept clean during installation and service; failure to do this may cause an unsafe condition and void product warranty.

IMPORTANT LISTINGS AND CERTIFICATIONS

- Suitable for wet locations

⚠ REMOTE WIRING

LED Driver

Remote driver installations require inter-connected wiring between the LED and driver (not included). Drivers have specific wiring requirements between these components. Driver manufacturers regularly recommend the following wiring details for such installations:

- Do not exceed 50 foot overall wiring distance using 12 gauge copper wire.

Failure to comply with specific wiring requirements will void product warranty.

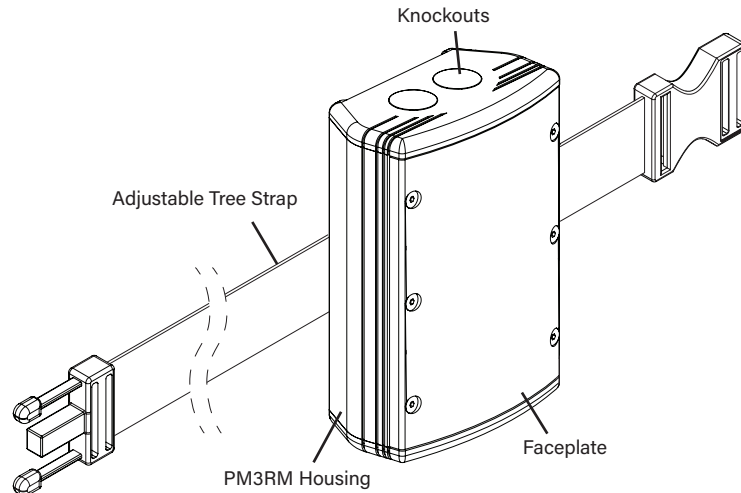
⚠ Device Requirements

⚠ iOS device with installed Inspiration Control System App is required for Bluetooth® Wireless Control.

Bluetooth® version 4.0 or higher required.

iOS Devices:

- iPhone** - iPhone 4s or newer
- iPad** - 3rd Gen iPad or newer
iPad Mini
iPad Air
- iPod** - iPod Touch 5th Gen or newer



* UPM is covered in whole or in part by US patent #6,940,012

IMPORTANT SAFETY INFORMATION - READ, FOLLOW, AND SAVE THESE INSTALLATION INSTRUCTIONS

B-K LIGHTING

40429 Brickyard Drive • Madera, CA 93636 • USA
559.438.5800 • FAX 559.438.5900
www.bklighting.com • info@bklighting.com

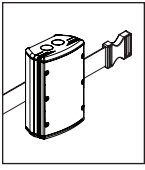
RELEASE DATE
08/15/2023

REFERENCE NUMBER
INS-2047-00

THIS DOCUMENT CONTAINS PROPRIETARY INFORMATION OF B-K LIGHTING, INC. AND ITS RECEIPT OR POSSESSION DOES NOT CONVEY ANY RIGHTS TO REPRODUCE, DISCLOSE ITS CONTENTS, OR TO MANUFACTURE, USE OR SELL ANYTHING IT MAY DESCRIBE. REPRODUCTION, DISCLOSURE OR USE WITHOUT SPECIFIC WRITTEN AUTHORIZATION OF B-K LIGHTING, INC. IS STRICTLY FORBIDDEN.

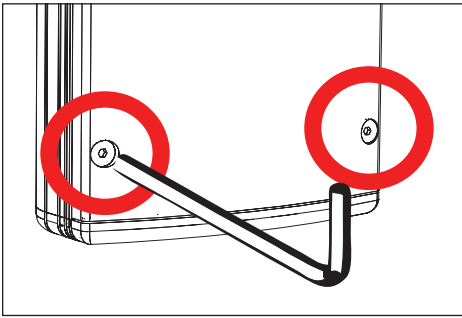
PM3RM TREE STRAP

INSPIRATION CONTROL SYSTEM

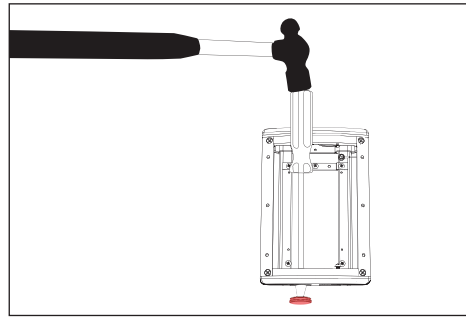


Standard Installation

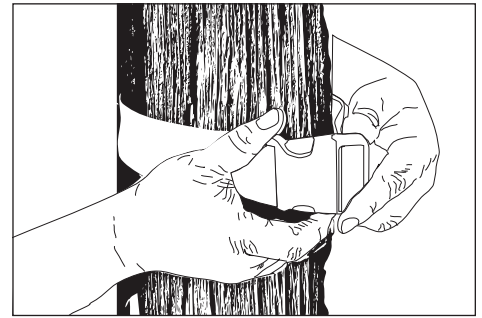
⚠️ iOS device (Not Included) with installed B-K Lighting Inspiration Application required for use.



1. Loosen six (6) #10-24 captive screws using a 1/8" allen wrench to remove faceplate of UPM housing.

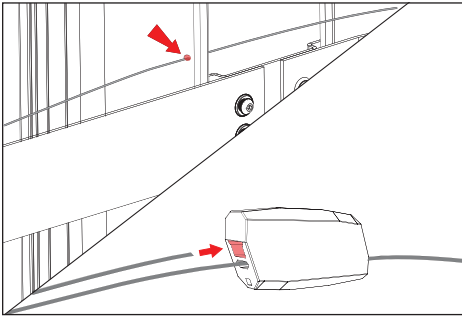


2. Remove Patented Knockout(s) as necessary from the inside of the UPM housing. Leave remaining unused knockouts in place to maintain seal.

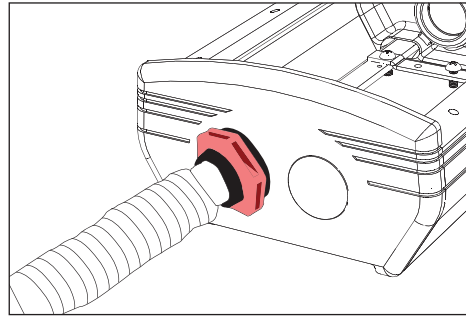


3. Use adjustable strap provided to attach UPM housing to tree. Tighten by pulling on the adjustable strap until secure.

NOTE: Patented design featuring a silicone 'O' Ring allowing knockout to be tapped back into place to renew seal integrity.

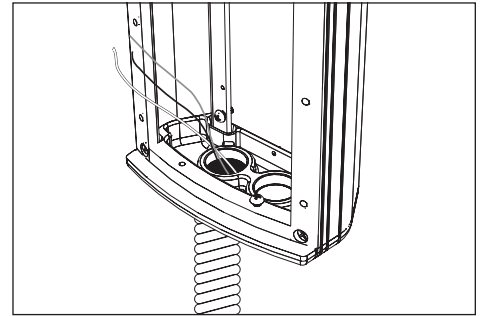


4. Thread safety cable through hole on the back of the UPM housing. Feed safety cable through opposing ends of the connector. Pull on wires to assure the connection is secure. Leave enough slack in safety cable for tree growth. Adjustments can be made by pressing release spring with a pin or a 3/64" allen tool.

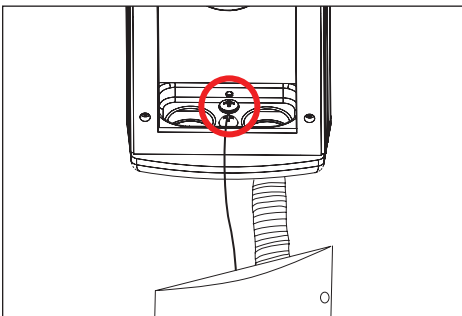


5. Connect 3/4" conduit connector through female threaded conduit entry.

⚠️ NOTE: Surface conduit is a common entrance for water if not properly sealed. Seal connector threads and conduit pipe with a suitable sealant (teflon tape, adhesive, etc). Sealing the conduit after knockouts are removed is required to maintain warranty.

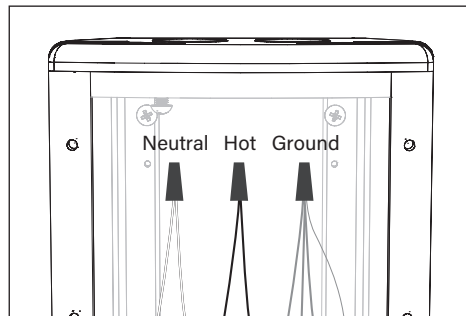


6. Pull branch circuit wiring and dimming control wiring necessary for installation.



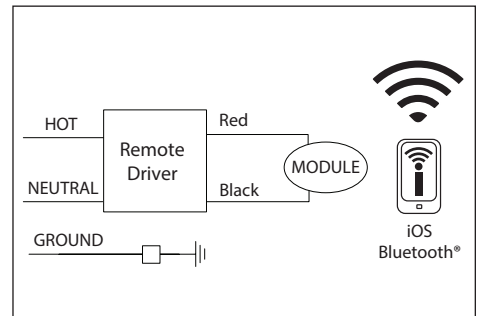
7. Attach tether wire under screw head at the base of the UPM housing and tighten. Slowly lower the faceplate until tether is taut.

⚠️ NOTE: Faceplate tether supplied with UPM is designed as an installation aid and NOT a safety cable. Do not add weight to, or drop faceplate.



8. Use waterproof wire connectors (not included) to connect driver primary leads to branch circuit wires. Connect incoming ground to ground wire provided in UPM housing. Connect secondary side to remote fixture leads. **See wiring diagram.**

⚠️ Number of wires and connections varies with wiring as per lighting plan.



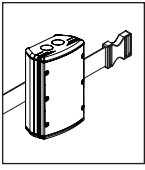
WIRING DIAGRAM - Wireless Bluetooth® Controls with Inspiration Application on iOS device

iOS device controls dimming, CCT, Saturation, and Hue using Bluetooth® wireless controls and the application.

⚠️ iOS device must be within 5ft of fixture for wireless operation.

**IMPORTANT SAFETY INFORMATION LISTED ON REVERSE
READ, FOLLOW, AND SAVE ALL SAFETY AND INSTALLATION INSTRUCTIONS**



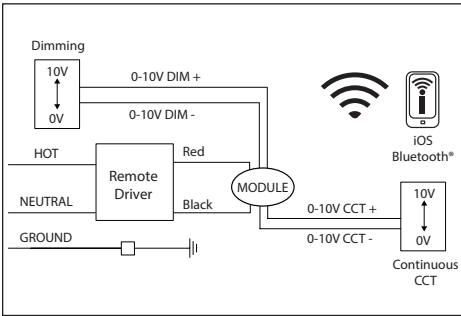


PM3RM TREE STRAP

INSPIRATION CONTROL SYSTEM

Standard Installation

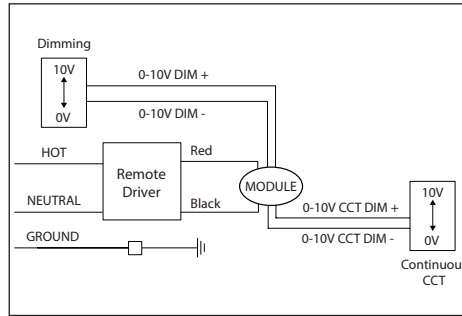
⚠️ iOS device (Not Included) with installed B-K Lighting Inspiration Application required for use.



WIRING DIAGRAM - Hybrid

Secondary wiring from remote driver connects to fixture leads. 0-10V dimming connects to module. 0-10V Continuous CCT connects to module. iOS device controls Saturation and Hue.

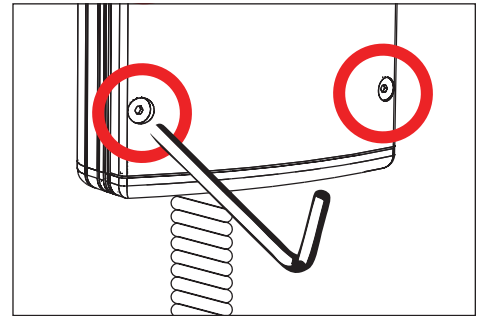
iOS device must be within 5ft of fixture for wireless operation.



WIRING DIAGRAM - 0-10V Wired

Secondary wiring from remote driver connects to fixture leads. 0-10V dimming connects to module. 0-10V Continuous CCT connects to module and controls CCT.

iOS device must be within 5ft of fixture for wireless operation.



9. Make sure UPM housing gasket is free of any dirt or debris. Attach the faceplate by tightening the (6) #10-24 captive screws evenly using a 1/8" allen wrench.

**IMPORTANT SAFETY INFORMATION LISTED ON REVERSE
READ, FOLLOW, AND SAVE ALL SAFETY AND INSTALLATION INSTRUCTIONS**



B-K LIGHTING

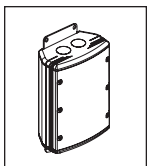
40429 Brickyard Drive • Madera, CA 93636 • USA
559.438.5800 • FAX 559.438.5900
www.bklighting.com • info@bklighting.com

RELEASE DATE
08/15/2023

REFERENCE NUMBER
INS-2047-00

PM3RM SURFACE MOUNT

INSPIRATION CONTROL SYSTEM



Standard Installation



Flammable



Warning



High Voltage



Hot Surface

TOOLS NEEDED:

- 1/8" Allen Wrench
- Waterproof Wire Connectors
- Hammer
- Phillips Screwdriver
- 1/4" Drill Bit and Drill
- Mounting Hardware
- iOS Device with Inspiration App

INSTRUCTIONS PERTAINING TO A RISK OF FIRE, OR INJURY TO PERSONS IMPORTANT SAFETY INSTRUCTIONS

Lighted fixture is HOT! WARNING - To reduce the risk of FIRE OR INJURY TO PERSONS:

Turn off/unplug and allow to cool before replacing lamp/LED. Fixture gets HOT quickly! Contact only switch/plug when turning on. Do not touch hot lens, guard, or enclosure. Keep fixture away from materials that may burn. Do not operate the luminaire fitting with a missing or damaged shield. Do not touch the source at any time. Use a soft cloth or gloves. Oil from skin may cause damage.

SAVE THESE INSTRUCTIONS

IMPORTANT SAFETY INFORMATION - READ, FOLLOW, AND SAVE ALL SAFETY AND INSTALLATION INSTRUCTIONS

- Product must be installed by a qualified person in a manner consistent with its intended use and in compliance with the National Electrical Code, Canadian Electrical Code, and all Local and Provincial Codes.
- Follow product label information and instructions.
- Qualified Personnel with appropriate personal protective equipment must perform all servicing of this product.
- Before wiring to power supply and during servicing, turn off and lock out power at fuse or circuit breaker before service.
- The use of accessory equipment not recommended by the manufacturer or installed contrary to instructions may cause an unsafe condition. The use of damaged components may cause an unsafe condition and void product warranty.
- Do not block light emanating from product in whole or part, as this may cause an unsafe condition.
- Never operate the fixture with missing or damaged lens. Lens must be cleaned on regular basis.
- Entire fixture may become extremely hot. Do not touch hot lens or fixture body.
- Replace LED assembly only with correct wattage and type of power supply appropriate for LED assembly.
- All gaskets, o-rings and sealing surfaces must be kept clean during installation and service; failure to do this may cause an unsafe condition and void product warranty.

IMPORTANT LISTINGS AND CERTIFICATIONS

- Suitable for wet locations

REMOTE WIRING

LED Driver

Remote driver installations require inter-connected wiring between the LED and driver (not included). Drivers have specific wiring requirements between these components. Driver manufacturers regularly recommend the following wiring details for such installations:

- Do not exceed 50 foot overall wiring distance using 12 gauge copper wire.

Failure to comply with specific wiring requirements will void product warranty.

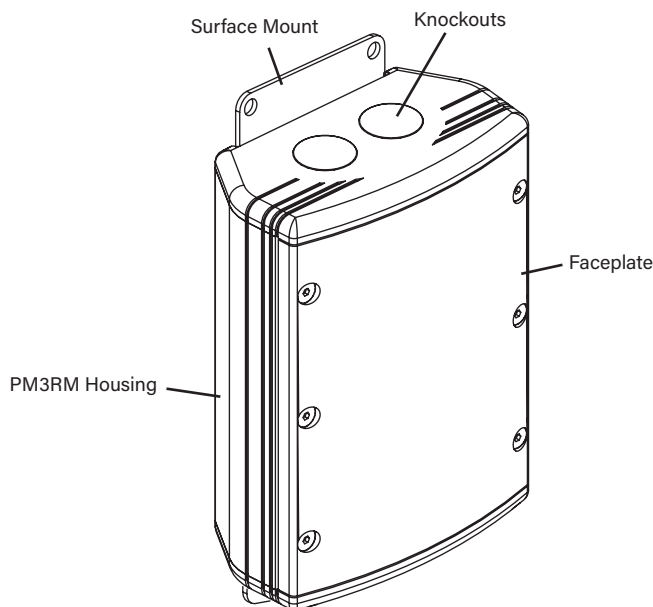
Device Requirements

iOS device with installed Inspiration Control System App is required for Bluetooth® Wireless Control.

Bluetooth® version 4.0 or higher required.

iOS Devices:

- iPhone** - iPhone 4s or newer
- iPad** - 3rd Gen iPad or newer
- iPad Mini
- iPad Air
- iPod** - iPod Touch 5th Gen or newer



* UPM is covered in whole or in part by US patent #6,940,012

IMPORTANT SAFETY INFORMATION - READ, FOLLOW, AND SAVE THESE INSTALLATION INSTRUCTIONS

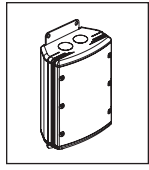
B-K LIGHTING

40429 Brickyard Drive • Madera, CA 93636 • USA
559.438.5800 • FAX 559.438.5900
www.bklighting.com • info@bklighting.com

RELEASE DATE
08/15/2023

REFERENCE NUMBER
INS-2047-01

THIS DOCUMENT CONTAINS PROPRIETARY INFORMATION OF B-K LIGHTING, INC. AND ITS RECEIPT OR POSSESSION DOES NOT CONVEY ANY RIGHTS TO REPRODUCE, DISCLOSE ITS CONTENTS, OR TO MANUFACTURE, USE OR SELL ANYTHING IT MAY DESCRIBE. REPRODUCTION, DISCLOSURE OR USE WITHOUT SPECIFIC WRITTEN AUTHORIZATION OF B-K LIGHTING, INC. IS STRICTLY FORBIDDEN.

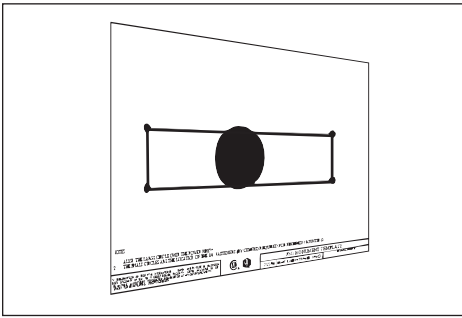


PM3RM SURFACE MOUNT

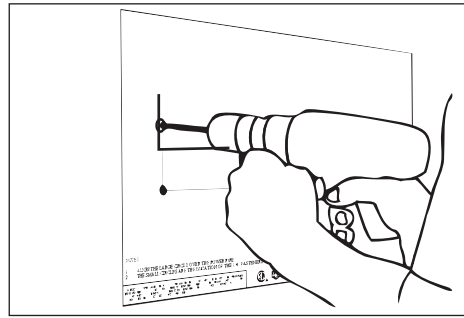
INSPIRATION CONTROL SYSTEM

Standard Installation

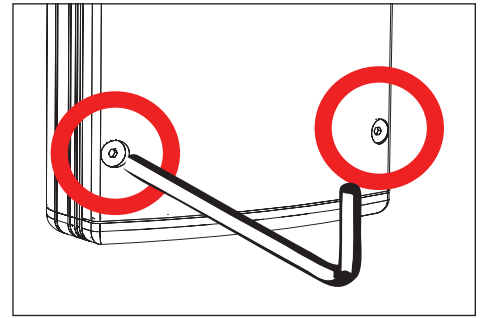
⚠️ iOS device (Not Included) with installed B-K Lighting Inspiration Application required for use.



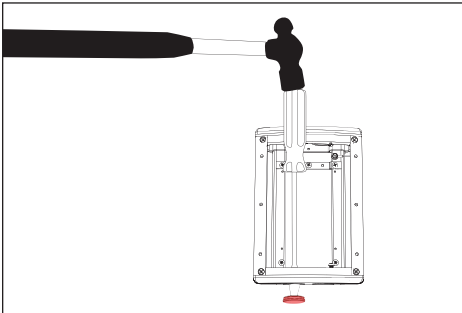
1. Prepare final mounting position according to designed lighting plan.



2. Drill holes into surface for 1/4" fasteners on locations required for mounting via tabs.

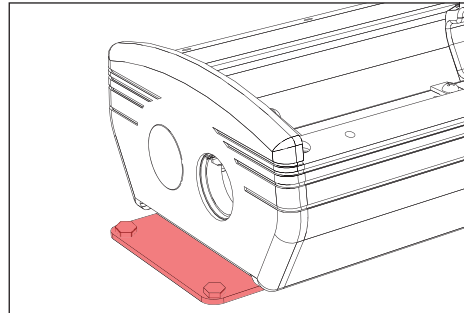


3. Loosen six (6) #10-24 captive screws using a 1/8" allen wrench to remove faceplate of UPM housing.



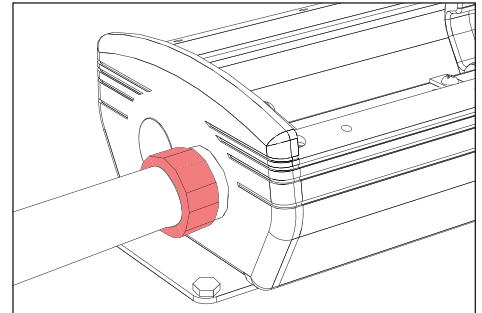
4. Remove Patented Knockout(s) as necessary from the inside of the UPM housing. Leave remaining unused knockouts in place to maintain seal.

⚠️ NOTE: Patented design featuring a silicone 'O' Ring allowing knockout to be tapped back into place to renew seal integrity.



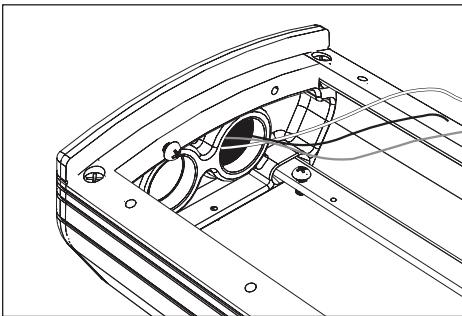
5. Attach the UPM housing at mounting brackets with 1/4" fasteners. Use suitable mounting hardware for surface.

⚠️ NOTE: Many methods exist to bolt to a flat surface. The fixture is provided with mounting brackets with 1/4" holes.

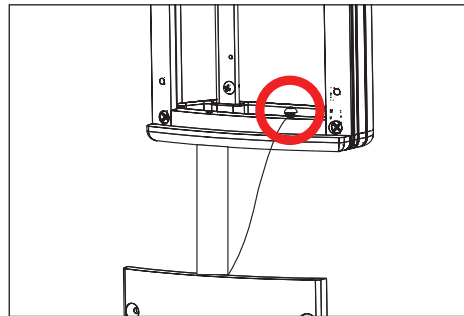


6. Connect 3/4" conduit connector through female threaded conduit entry.

⚠️ NOTE: Surface conduit is a common entrance for water if not properly sealed. Seal connector threads and conduit with a suitable sealant (teflon tape, adhesive, etc.). Sealing the conduit after knockouts are removed is required to maintain warranty.

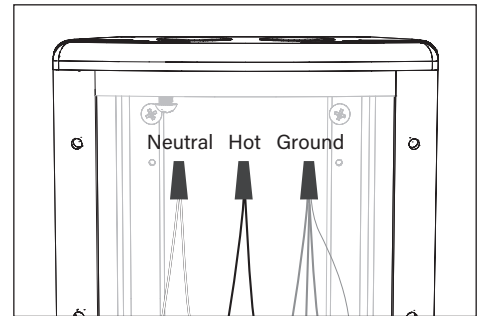


7. Pull branch circuit wiring and dimming control wiring necessary for installation.



8. Attach tether wire under screw head at the base of the UPM housing and tighten. Slowly lower the faceplate until tether is taut.

⚠️ NOTE: Faceplate tether supplied with UPM is designed as an installation aid and NOT a safety cable. Do not add weight to, or drop faceplate.



9. Use waterproof wire connectors (not included) to connect driver primary leads to branch circuit wires. Connect incoming ground to ground wire provided in UPM housing. Connect secondary side to remote fixture leads. **See wiring diagram.**

⚠️ Number of wires and connections varies with wiring as per lighting plan.

**IMPORTANT SAFETY INFORMATION LISTED ON REVERSE
READ, FOLLOW, AND SAVE ALL SAFETY AND INSTALLATION INSTRUCTIONS**



B-K LIGHTING

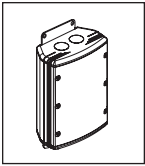
40429 Brickyard Drive • Madera, CA 93636 • USA
559.438.5800 • FAX 559.438.5900
www.bklighting.com • info@bklighting.com

RELEASE DATE
08/15/2023

REFERENCE NUMBER
INS-2047-01

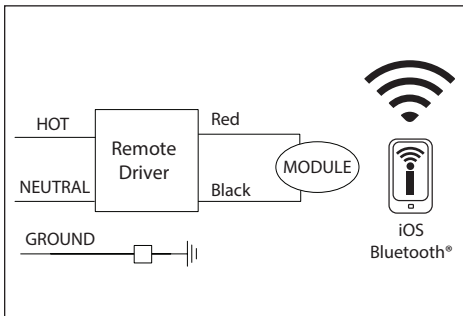
PM3RM SURFACE MOUNT

INSPIRATION CONTROL SYSTEM



Standard Installation

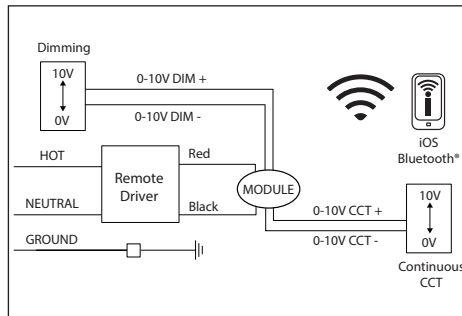
⚠️ iOS device (Not Included) with installed B-K Lighting Inspiration Application required for use.



WIRING DIAGRAM - Wireless Bluetooth® Controls with Inspiration Application on iOS device

iOS device controls dimming, CCT, Saturation, and Hue using Bluetooth® wireless controls and the application.

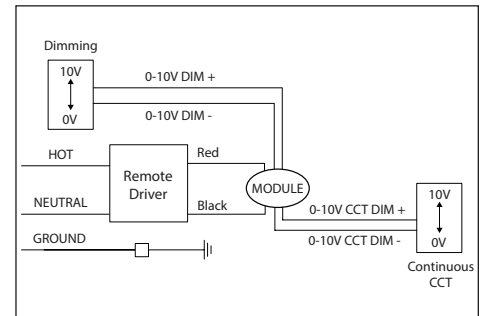
⚠️ iOS device must be within 5ft of fixture for wireless operation.



WIRING DIAGRAM - Hybrid

Secondary wiring from remote driver connects to fixture leads. 0-10V dimming connects to module. 0-10V Continuous CCT connects to module. iOS device controls Saturation and Hue.

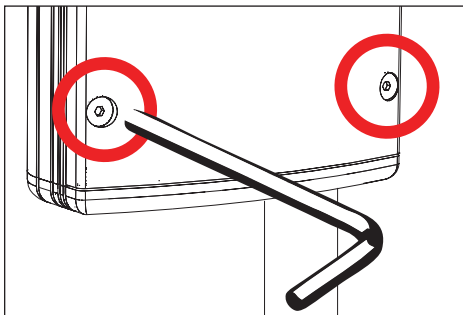
⚠️ iOS device must be within 5ft of fixture for wireless operation.



WIRING DIAGRAM - 0-10V Wired

Secondary wiring from remote driver connects to fixture leads. 0-10V dimming connects to module. 0-10V Continuous CCT connects to module and controls CCT.

⚠️ iOS device must be within 5ft of fixture for wireless operation.



10. Make sure UPM housing gasket is free of any dirt or debris. Attach the faceplate by tightening the six (6) #10-24 captive screws evenly using a 1/8" allen wrench.

**IMPORTANT SAFETY INFORMATION LISTED ON REVERSE
READ, FOLLOW, AND SAVE ALL SAFETY AND INSTALLATION INSTRUCTIONS**



B-K LIGHTING

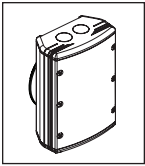
40429 Brickyard Drive • Madera, CA 93636 • USA
559.438.5800 • FAX 559.438.5900
www.bklighting.com • info@bklighting.com

RELEASE DATE
08/15/2023

REFERENCE NUMBER
INS-2047-01

PM3RM ROUND CAMLOCK

INSPIRATION CONTROL SYSTEM



Standard Installation



Flammable



Warning



High Voltage



Hot Surface

TOOLS NEEDED:

- 1/8" & 9/64" Allen Wrench
- Waterproof Wire Connectors
- Phillips Screwdriver
- Level
- iOS Device with Inspiration App

INSTRUCTIONS PERTAINING TO A RISK OF FIRE, OR INJURY TO PERSONS IMPORTANT SAFETY INSTRUCTIONS

Lighted fixture is HOT!

WARNING - To reduce the risk of FIRE OR INJURY TO PERSONS:

Turn off/unplug and allow to cool before replacing lamp/LED. Fixture gets HOT quickly! Contact only switch/plug when turning on. Do not touch hot lens, guard, or enclosure. Keep fixture away from materials that may burn. Do not operate the luminaire fitting with a missing or damaged shield. Do not touch the source at any time. Use a soft cloth or gloves. Oil from skin may cause damage.

SAVE THESE INSTRUCTIONS

IMPORTANT SAFETY INFORMATION - READ, FOLLOW, AND SAVE ALL SAFETY AND INSTALLATION INSTRUCTIONS

- Product must be installed by a qualified person in a manner consistent with its intended use and in compliance with the National Electrical Code, Canadian Electrical Code, and all Local and Provincial Codes.
- Follow product label information and instructions.
- Qualified Personnel with appropriate personal protective equipment must perform all servicing of this product.
- Before wiring to power supply and during servicing, turn off and lock out power at fuse or circuit breaker before service.
- The use of accessory equipment not recommended by the manufacturer or installed contrary to instructions may cause an unsafe condition. The use of damaged components may cause an unsafe condition and void product warranty.
- Do not block light emanating from product in whole or part, as this may cause an unsafe condition.
- Never operate the fixture with missing or damaged lens. Lens must be cleaned on regular basis.
- Entire fixture may become extremely hot. Do not touch hot lens or fixture body.
- Replace LED assembly only with correct wattage and type of power supply appropriate for LED assembly.
- All gaskets, o-rings and sealing surfaces must be kept clean during installation and service; failure to do this may cause an unsafe condition and void product warranty.

IMPORTANT LISTINGS AND CERTIFICATIONS

- Suitable for wet locations

⚠ REMOTE WIRING

LED Driver

Remote driver installations require inter-connected wiring between the LED and driver (not included). Drivers have specific wiring requirements between these components. Driver manufacturers regularly recommend the following wiring details for such installations:

- Do not exceed 50 foot overall wiring distance using 12 gauge copper wire.

Failure to comply with specific wiring requirements will void product warranty.

⚠ Device Requirements

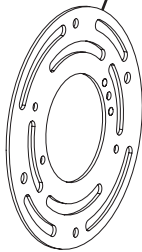
- ⚠ iOS device with installed Inspiration Control System App is required for Bluetooth® Wireless Control.

Bluetooth® version 4.0 or higher required.

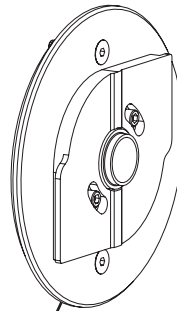
iOS Devices:

- iPhone** - iPhone 4s or newer
- iPad** - 3rd Gen iPad or newer
iPad Mini
iPad Air
- iPod** - iPod Touch 5th Gen or newer

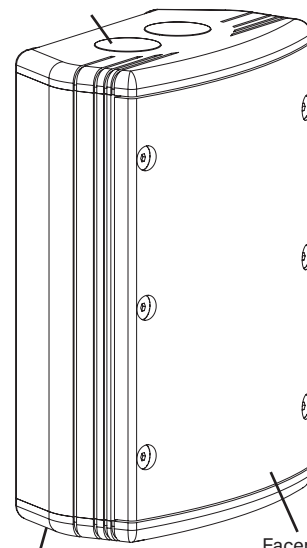
Universal Mounting Ring



CamLock™



Knockouts



PM3RM Housing

Faceplate

* UPM is covered in whole or in part by US patent #6,940,012

IMPORTANT SAFETY INFORMATION - READ, FOLLOW, AND SAVE THESE INSTALLATION INSTRUCTIONS

B-K LIGHTING

40429 Brickyard Drive • Madera, CA 93636 • USA
559.438.5800 • FAX 559.438.5900
www.bklighting.com • info@bklighting.com

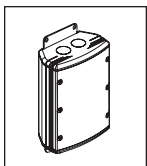
RELEASE DATE
08/15/2023

REFERENCE NUMBER
INS-2047-02

THIS DOCUMENT CONTAINS PROPRIETARY INFORMATION OF B-K LIGHTING, INC. AND ITS RECEIPT OR POSSESSION DOES NOT CONVEY ANY RIGHTS TO REPRODUCE, DISCLOSE ITS CONTENTS, OR TO MANUFACTURE, USE OR SELL ANYTHING IT MAY DESCRIBE. REPRODUCTION, DISCLOSURE OR USE WITHOUT SPECIFIC WRITTEN AUTHORIZATION OF B-K LIGHTING, INC. IS STRICTLY FORBIDDEN.

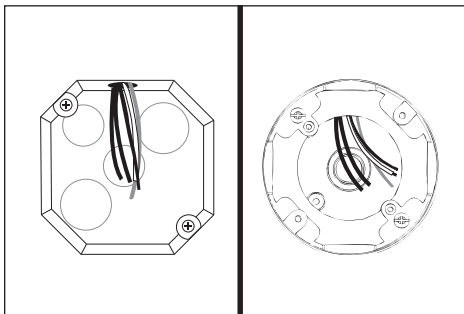
PM3RM ROUND CAMLOCK

INSPIRATION CONTROL SYSTEM

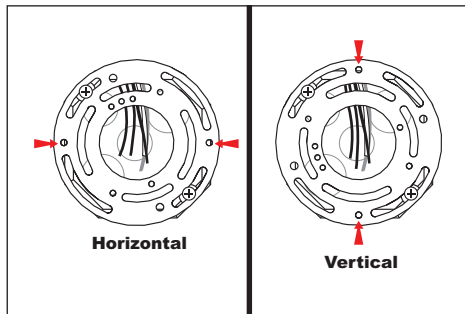


Standard Installation

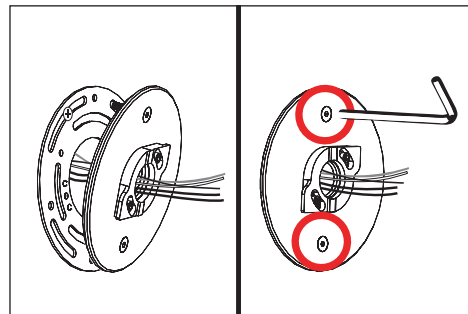
⚠️ iOS device (Not Included) with installed B-K Lighting Inspiration Application required for use.



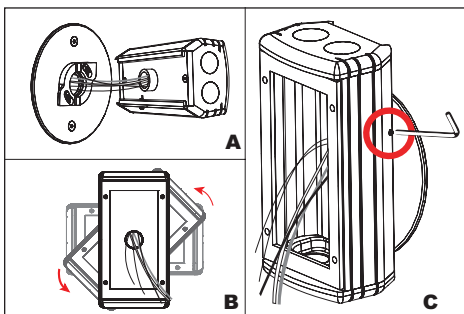
1. Install standard 4" octagonal/round recessed junction box in the final fixture location according to designed lighting plan.
2. Pull branch circuit wiring and dimming control wiring necessary for installation.



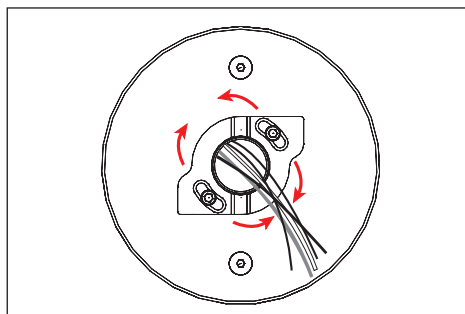
3. Install universal mounting ring.
- ⚠️ IMPORTANT!! Orientation of universal ring will affect orientation of UPM! Take note of mounting plate holes (indicated with arrows) on the universal ring holes to mount UPM in correct orientation.**



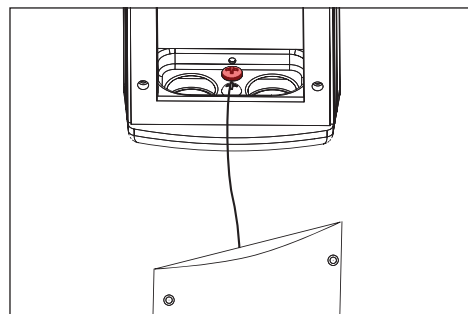
4. Feed branch circuit wiring and dimming control wiring through mounting plate with CamLock™ assembly. Attach mounting plate with supplied two (2) #10-24 stainless steel hex drive fasteners to universal ring using a 1/8" allen wrench.



5. Feed branch circuit wiring and dimming control wiring into UPM housing. Install housing on CamLock at 90° to finished orientation as shown. (Figure A)
6. Rotate housing 90° counter-clockwise (Figure B). Tighten set screw with a 5/64" allen wrench on outside of UPM housing to lock in place. (Figure C)

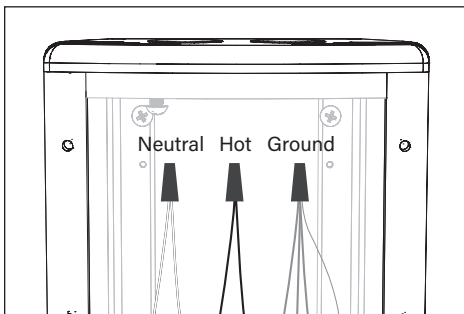


7. If UPM housing is not level, remove UPM housing; loosen but **DO NOT REMOVE** two (2) #8-32 screws with a 9/64" allen wrench on CamLock assembly. Adjust CamLock assembly up to 30° as needed to level. Tighten the screws and reattach UPM housing.



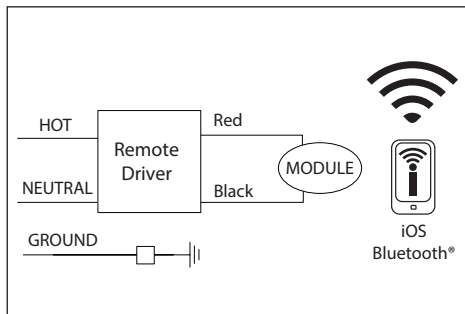
8. Attach tether wire under screw head at the base of the UPM housing. Slowly lower the faceplate until tether is taut.

⚠️ NOTE: Faceplate tether supplied with UPM is designed as an installation aid and NOT a safety cable. Do not add weight to, or drop faceplate.



9. Use waterproof wire connectors (not included) to connect driver primary leads to branch circuit wires. Connect incoming ground to ground wire provided in UPM housing. Connect secondary side to remote fixture leads. **See wiring diagram.**

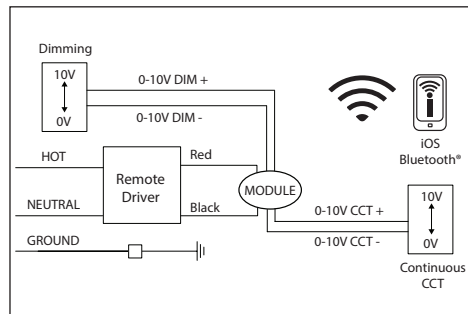
⚠️ Number of wires and connections varies with wiring as per lighting plan.



WIRING DIAGRAM - Wireless Bluetooth® Controls with Inspiration Application on iOS device

iOS device controls dimming, CCT, Saturation, and Hue using Bluetooth® wireless controls and the application.

⚠️ iOS device must be within 5ft of fixture for wireless operation.



WIRING DIAGRAM - Hybrid

Secondary wiring from remote driver connects to fixture leads. 0-10V dimming connects to module. 0-10V Continuous CCT connects to module. iOS device controls Saturation and Hue.

⚠️ iOS device must be within 5ft of fixture for wireless operation.

**IMPORTANT SAFETY INFORMATION LISTED ON REVERSE
READ, FOLLOW, AND SAVE ALL SAFETY AND INSTALLATION INSTRUCTIONS**

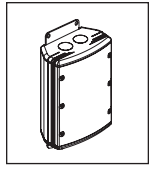


B-K LIGHTING

40429 Brickyard Drive • Madera, CA 93636 • USA
559.438.5800 • FAX 559.438.5900
www.bklighting.com • info@bklighting.com

RELEASE DATE
08/15/2023

REFERENCE NUMBER
INS-2047-02

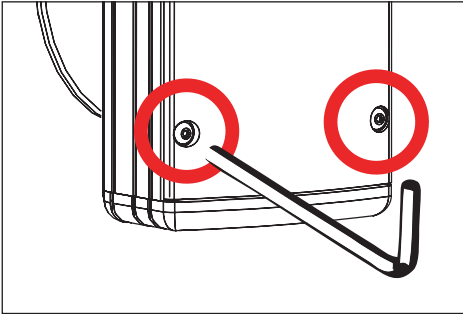
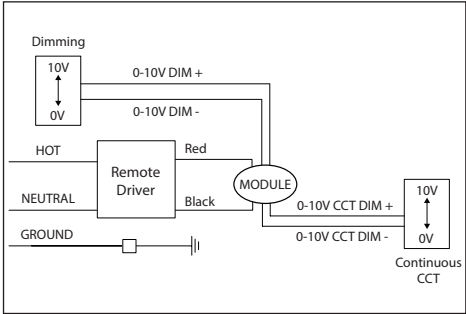


PM3RM ROUND CAMLOCK

INSPIRATION CONTROL SYSTEM

Standard Installation

⚠️ iOS device (Not Included) with installed B-K Lighting Inspiration Application required for use.



WIRING DIAGRAM - 0-10V Wired

Secondary wiring from remote driver connects to fixture leads. 0-10V dimming connects to module. 0-10V Continuous CCT connects to module and controls CCT.

⚠️ iOS device must be within 5ft of fixture for wireless operation.

10. Make sure UPM housing gasket is free of any dirt or debris. Attach the faceplate by tightening the six (6) #10-24 captive screws evenly using a 1/8" allen wrench.

**IMPORTANT SAFETY INFORMATION LISTED ON REVERSE
READ, FOLLOW, AND SAVE ALL SAFETY AND INSTALLATION INSTRUCTIONS**

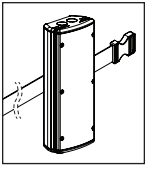


B-K LIGHTING

40429 Brickyard Drive • Madera, CA 93636 • USA
559.438.5800 • FAX 559.438.5900
www.bklighting.com • info@bklighting.com

RELEASE DATE
08/15/2023

REFERENCE NUMBER
INS-2047-02



Standard Installation

PM3DRM TREE STRAP

INSPIRATION CONTROL SYSTEM



Flammable



Warning



High Voltage



Hot Surface

TOOLS NEEDED:



1/8" Allen Wrench



Waterproof Wire Connectors



Hammer



Phillips Screwdriver



iOS Device with Inspiration App

INSTRUCTIONS PERTAINING TO A RISK OF FIRE, OR INJURY TO PERSONS IMPORTANT SAFETY INSTRUCTIONS

Lighted fixture is HOT!

WARNING - To reduce the risk of FIRE OR INJURY TO PERSONS:

Turn off/unplug and allow to cool before replacing lamp/LED. Fixture gets HOT quickly! Contact only switch/plug when turning on. Do not touch hot lens, guard, or enclosure. Keep fixture away from materials that may burn. Do not operate the luminaire fitting with a missing or damaged shield. Do not touch the source at any time. Use a soft cloth or gloves. Oil from skin may cause damage.

SAVE THESE INSTRUCTIONS

IMPORTANT SAFETY INFORMATION - READ, FOLLOW, AND SAVE ALL SAFETY AND INSTALLATION INSTRUCTIONS

- Product must be installed by a qualified person in a manner consistent with its intended use and in compliance with the National Electrical Code, Canadian Electrical Code, and all Local and Provincial Codes.
- Follow product label information and instructions.
- Qualified Personnel with appropriate personal protective equipment must perform all servicing of this product.
- Before wiring to power supply and during servicing, turn off and lock out power at fuse or circuit breaker before service.
- The use of accessory equipment not recommended by the manufacturer or installed contrary to instructions may cause an unsafe condition. The use of damaged components may cause an unsafe condition and void product warranty.
- Do not block light emanating from product in whole or part, as this may cause an unsafe condition.
- Never operate the fixture with missing or damaged lens. Lens must be cleaned on regular basis.
- Entire fixture may become extremely hot. Do not touch hot lens or fixture body.
- Replace LED assembly only with correct wattage and type of power supply appropriate for LED assembly.
- All gaskets, o-rings and sealing surfaces must be kept clean during installation and service; failure to do this may cause an unsafe condition and void product warranty.

IMPORTANT LISTINGS AND CERTIFICATIONS

- Suitable for wet locations

⚠ REMOTE WIRING

LED Driver

Remote driver installations require inter-connected wiring between the LED and driver (not included). Drivers have specific wiring requirements between these components. Driver manufacturers regularly recommend the following wiring details for such installations:

- Do not exceed 50 foot overall wiring distance using 12 gauge copper wire.

Failure to comply with specific wiring requirements will void product warranty.

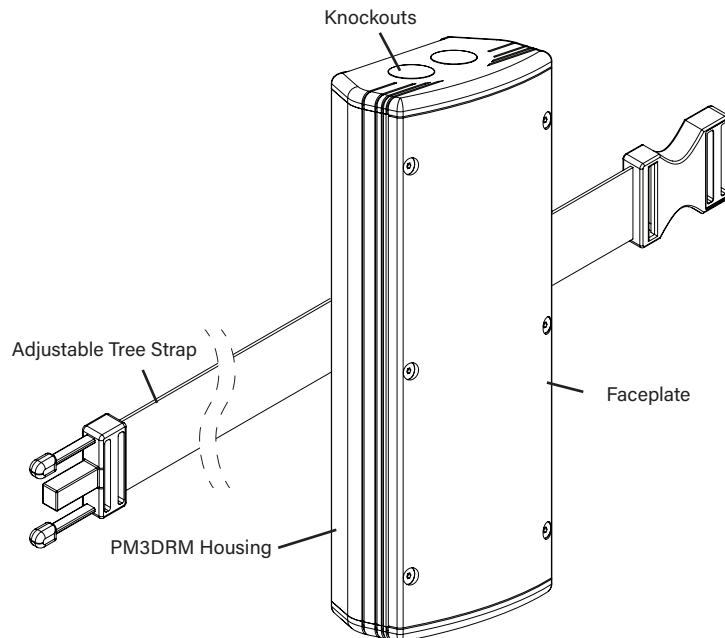
⚠ Device Requirements

⚠ iOS device with installed Inspiration Control System App is required for Bluetooth® Wireless Control.

Bluetooth® version 4.0 or higher required.

iOS Devices:

- iPhone** - iPhone 4s or newer
- iPad** - 3rd Gen iPad or newer
iPad Mini
iPad Air
- iPod** - iPod Touch 5th Gen or newer



* UPM is covered in whole or in part by US patent #6,940,012

IMPORTANT SAFETY INFORMATION - READ, FOLLOW, AND SAVE THESE INSTALLATION INSTRUCTIONS

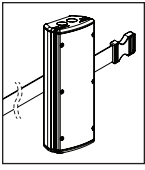
B-K LIGHTING

40429 Brickyard Drive • Madera, CA 93636 • USA
559.438.5800 • FAX 559.438.5900
www.bklighting.com • info@bklighting.com

RELEASE DATE
08/15/2023

REFERENCE NUMBER
INS-2044-00

THIS DOCUMENT CONTAINS PROPRIETARY INFORMATION OF B-K LIGHTING, INC. AND ITS RECEIPT OR POSSESSION DOES NOT CONVEY ANY RIGHTS TO REPRODUCE, DISCLOSE ITS CONTENTS, OR TO MANUFACTURE, USE OR SELL ANYTHING IT MAY DESCRIBE. REPRODUCTION, DISCLOSURE OR USE WITHOUT SPECIFIC WRITTEN AUTHORIZATION OF B-K LIGHTING, INC. IS STRICTLY FORBIDDEN.

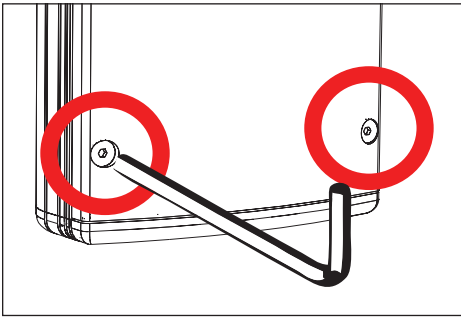


PM3DRM TREE STRAP

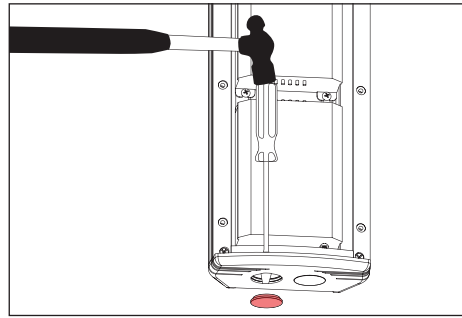
INSPIRATION CONTROL SYSTEM

Standard Installation

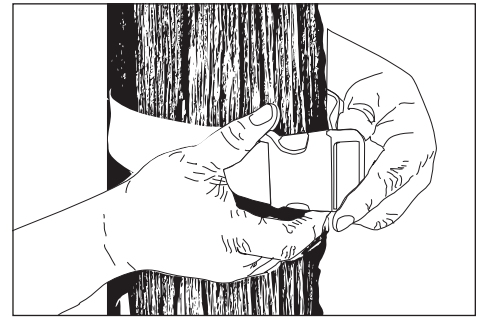
⚠️ iOS device (Not Included) with installed B-K Lighting Inspiration Application required for use.



1. Loosen six (6) #10-24 captive screws using a 1/8" allen wrench to remove faceplate of UPM housing.

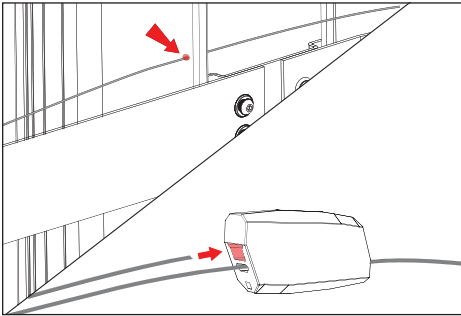


2. Remove Patented Knockout(s) as necessary from the inside of the UPM housing. Leave remaining unused knockouts in place to maintain seal.

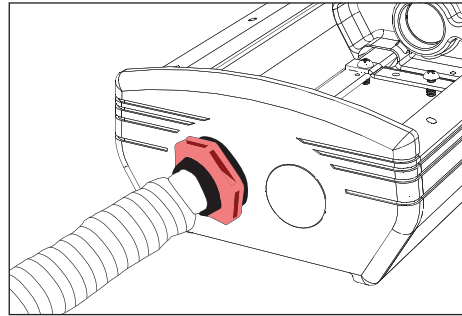


3. Use adjustable strap provided to attach UPM housing to tree. Tighten by pulling on the adjustable strap until secure.

⚠️ NOTE: Patented design featuring a silicone 'O' Ring allowing knockout to be tapped back into place to renew seal integrity.

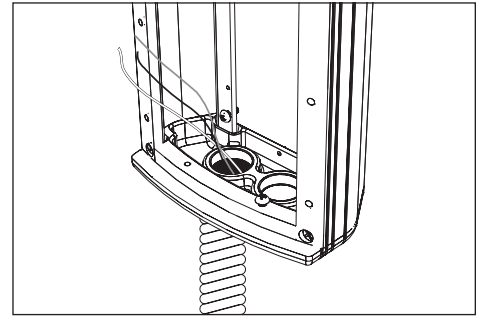


4. Thread safety cable through hole on the back of the UPM housing. Feed safety cable through opposing ends of the connector. Pull on wires to assure the connection is secure. Leave enough slack in safety cable for tree growth. Adjustments can be made by pressing release spring with a pin or a 3/64" allen tool.

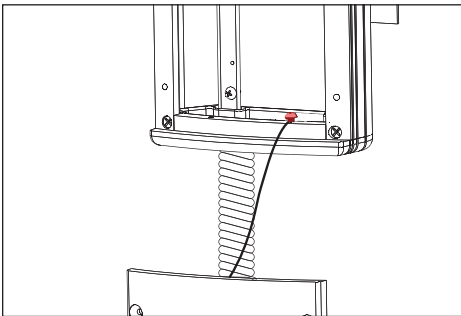


5. Connect 3/4" conduit connector through female threaded conduit entry.

⚠️ NOTE: Surface conduit is a common entrance for water if not properly sealed. Seal connector threads and conduit pipe with a suitable sealant (Teflon tape, adhesive, etc). Sealing the conduit after knockouts are removed is required to maintain warranty.

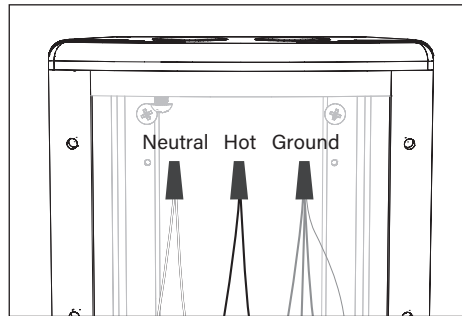


6. Pull branch circuit wiring and dimming control wiring necessary for installation.

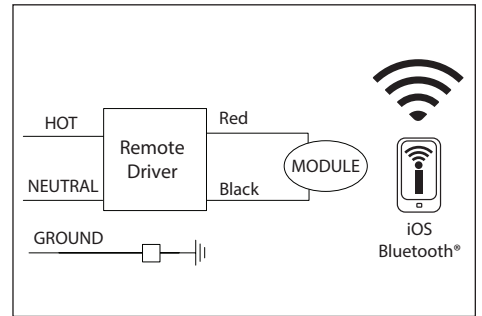


7. Attach tether wire under screw head at the base of the UPM housing and tighten. Slowly lower the faceplate until tether is taut.

⚠️ NOTE: Faceplate tether supplied with UPM is designed as an installation aid and NOT a safety cable. Do not add weight to, or drop faceplate.



8. Use wire connectors (not included) to connect driver primary leads to branch circuit wires. Connect incoming ground to ground wire provided in UPM housing. See wiring diagram.



WIRING DIAGRAM - Wireless Bluetooth® Controls with Inspiration Application on iOS device

iOS device controls dimming, CCT, Saturation, and Hue using Bluetooth® wireless controls and the application.

⚠️ iOS device must be within 5ft of fixture for wireless operation.

**IMPORTANT SAFETY INFORMATION LISTED ON REVERSE
READ, FOLLOW, AND SAVE ALL SAFETY AND INSTALLATION INSTRUCTIONS**

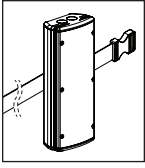


B-K LIGHTING

40429 Brickyard Drive • Madera, CA 93636 • USA
559.438.5800 • FAX 559.438.5900
www.bklighting.com • info@bklighting.com

RELEASE DATE
08/15/2023

REFERENCE NUMBER
INS-2044-00

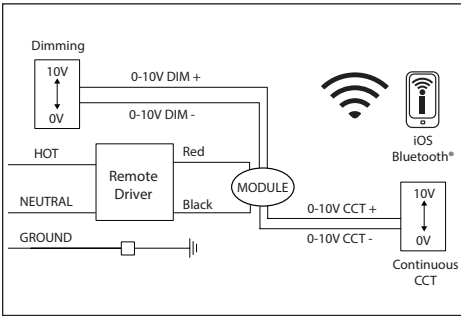


PM3DRM TREE STRAP

INSPIRATION CONTROL SYSTEM

Standard Installation

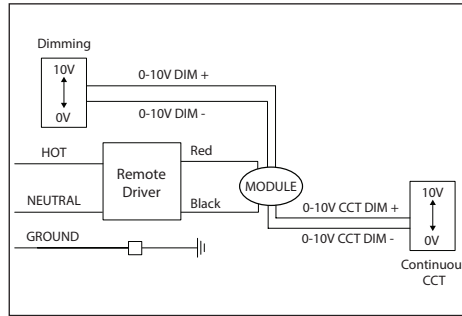
⚠️ iOS device (Not Included) with installed B-K Lighting Inspiration Application required for use.



WIRING DIAGRAM - Hybrid

Secondary wiring from remote driver connects to fixture leads. 0-10V dimming connects to module. 0-10V Continuous CCT connects to module. iOS device controls Saturation and Hue.

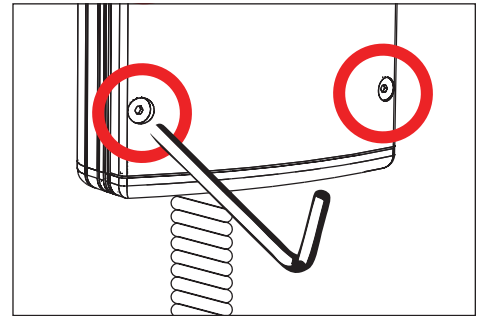
⚠️ iOS device must be within 5ft of fixture for wireless operation.



WIRING DIAGRAM - 0-10V Wired

Secondary wiring from remote driver connects to fixture leads. 0-10V dimming connects to module. 0-10V Continuous CCT connects to module and controls CCT.

⚠️ iOS device must be within 5ft of fixture for wireless operation.



9. Make sure UPM housing gasket is free of any dirt or debris. Attach the faceplate by tightening the six (6) #10-24 captive screws evenly to 30 in-lbs using a 1/8" allen wrench.

**IMPORTANT SAFETY INFORMATION LISTED ON REVERSE
READ, FOLLOW, AND SAVE ALL SAFETY AND INSTALLATION INSTRUCTIONS**

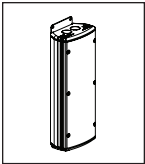


B-K LIGHTING

40429 Brickyard Drive • Madera, CA 93636 • USA
559.438.5800 • FAX 559.438.5900
www.bklighting.com • info@bklighting.com

RELEASE DATE
08/15/2023

REFERENCE NUMBER
INS-2044-00



PM3DRM SURFACE MOUNT

INSPIRATION CONTROL SYSTEM

Standard Installation



Flammable



Warning



High Voltage



Hot Surface

TOOLS NEEDED:

- 1/8" Allen Wrench
- Waterproof Wire Connectors
- Hammer
- Phillips Screwdriver
- 1/4" Drill Bit and Drill
- Mounting Hardware
- iOS Device with Inspiration App

INSTRUCTIONS PERTAINING TO A RISK OF FIRE, OR INJURY TO PERSONS IMPORTANT SAFETY INSTRUCTIONS

Lighted fixture is HOT!

WARNING - To reduce the risk of FIRE OR INJURY TO PERSONS:

Turn off/unplug and allow to cool before replacing lamp/LED. Fixture gets HOT quickly! Contact only switch/plug when turning on. Do not touch hot lens, guard, or enclosure. Keep fixture away from materials that may burn. Do not operate the luminaire fitting with a missing or damaged shield. Do not touch the source at any time. Use a soft cloth or gloves. Oil from skin may cause damage.

SAVE THESE INSTRUCTIONS

IMPORTANT SAFETY INFORMATION - READ, FOLLOW, AND SAVE ALL SAFETY AND INSTALLATION INSTRUCTIONS

- Product must be installed by a qualified person in a manner consistent with its intended use and in compliance with the National Electrical Code, Canadian Electrical Code, and all Local and Provincial Codes.
- Follow product label information and instructions.
- Qualified Personnel with appropriate personal protective equipment must perform all servicing of this product.
- Before wiring to power supply and during servicing, turn off and lock out power at fuse or circuit breaker before service.
- The use of accessory equipment not recommended by the manufacturer or installed contrary to instructions may cause an unsafe condition. The use of damaged components may cause an unsafe condition and void product warranty.
- Do not block light emanating from product in whole or part, as this may cause an unsafe condition.
- Never operate the fixture with missing or damaged lens. Lens must be cleaned on regular basis.
- Entire fixture may become extremely hot. Do not touch hot lens or fixture body.
- Replace LED assembly only with correct wattage and type of power supply appropriate for LED assembly.
- All gaskets, o-rings and sealing surfaces must be kept clean during installation and service; failure to do this may cause an unsafe condition and void product warranty.

IMPORTANT LISTINGS AND CERTIFICATIONS

- Suitable for wet locations

REMOTE WIRING

LED Driver

Remote driver installations require inter-connected wiring between the LED and driver (not included). Drivers have specific wiring requirements between these components. Driver manufacturers regularly recommend the following wiring details for such installations:

- Do not exceed 50 foot overall wiring distance using 12 gauge copper wire.

Failure to comply with specific wiring requirements will void product warranty.

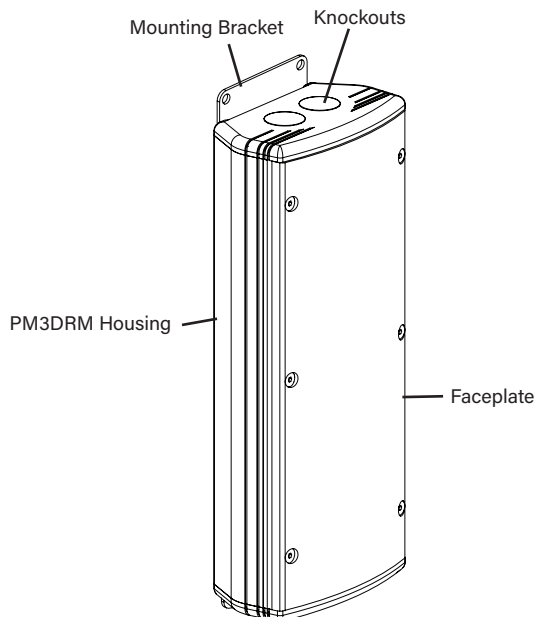
Device Requirements

iOS device with installed Inspiration Control System App is required for Bluetooth® Wireless Control.

Bluetooth® version 4.0 or higher required.

iOS Devices:

- iPhone** - iPhone 4s or newer
- iPad** - 3rd Gen iPad or newer
- iPad Mini
- iPad Air
- iPod** - iPod Touch 5th Gen or newer



* UPM is covered in whole or in part by US patent #6,940,012

IMPORTANT SAFETY INFORMATION - READ, FOLLOW, AND SAVE THESE INSTALLATION INSTRUCTIONS

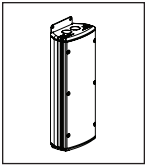
B-K LIGHTING

40429 Brickyard Drive • Madera, CA 93636 • USA
559.438.5800 • FAX 559.438.5900
www.bklighting.com • info@bklighting.com

RELEASE DATE
08/15/2023

REFERENCE NUMBER
INS-2044-01

THIS DOCUMENT CONTAINS PROPRIETARY INFORMATION OF B-K LIGHTING, INC. AND ITS RECEIPT OR POSSESSION DOES NOT CONVEY ANY RIGHTS TO REPRODUCE, DISCLOSE ITS CONTENTS, OR TO MANUFACTURE, USE OR SELL ANYTHING IT MAY DESCRIBE. REPRODUCTION, DISCLOSURE OR USE WITHOUT SPECIFIC WRITTEN AUTHORIZATION OF B-K LIGHTING, INC. IS STRICTLY FORBIDDEN.

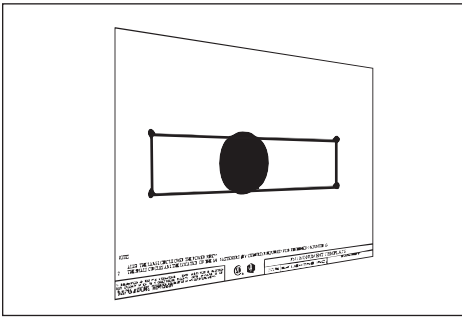


PM3DRM SURFACE MOUNT

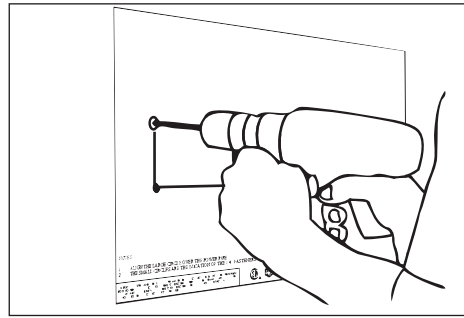
INSPIRATION CONTROL SYSTEM

Standard Installation

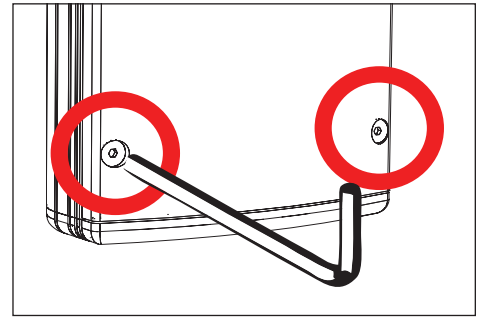
⚠️ iOS device (Not Included) with installed B-K Lighting Inspiration Application required for use.



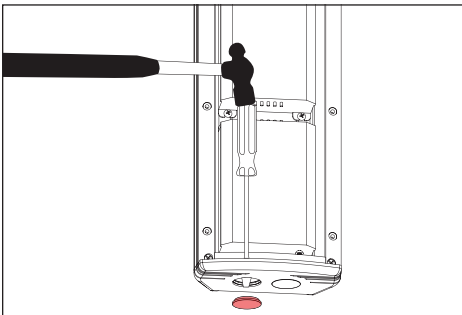
1. Prepare final mounting position according to designed lighting plan.



2. Drill holes into surface for 1/4" fasteners on locations illustrated on template.

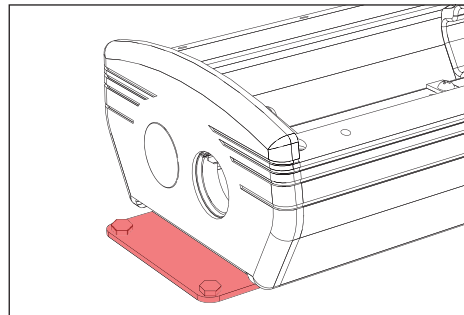


3. Loosen six (6) #10-24 captive screws using a 1/8" allen wrench and disconnect quick disconnect to remove faceplate of UPM housing.



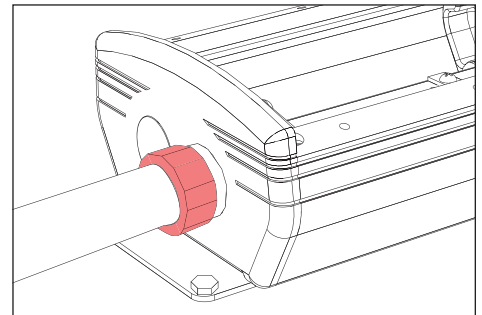
4. Remove Patented Knockout(s) as necessary from the inside of the UPM housing. Leave remaining unused knockouts in place to maintain seal.

⚠️ NOTE: Patented design featuring a silicone 'O' Ring allowing knockout to be tapped back into place to renew seal integrity.



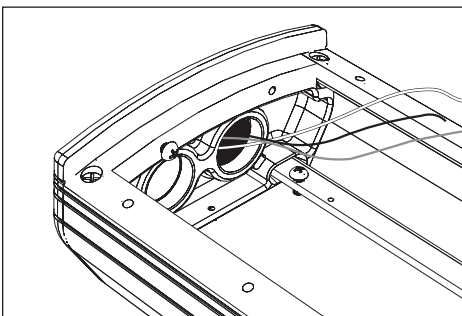
5. Attach the UPM housing at mounting brackets with 1/4" fasteners. Use suitable mounting hardware for surface.

⚠️ NOTE: Many methods exist to bolt to a flat surface. The fixture is provided with mounting brackets with 1/4" holes.

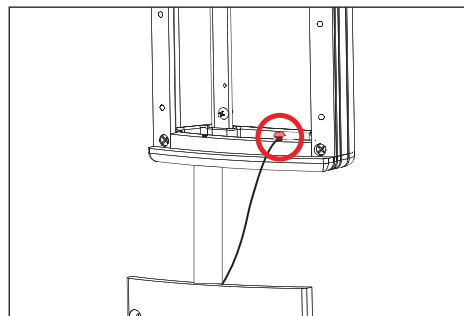


6. Connect 3/4" conduit connector through female threaded conduit entry.

⚠️ NOTE: Surface conduit is a common entrance for water if not properly sealed. Seal connector threads and conduit with a suitable sealant (teflon tape, adhesive, etc.). Sealing the conduit after knockouts are removed is required to maintain warranty.

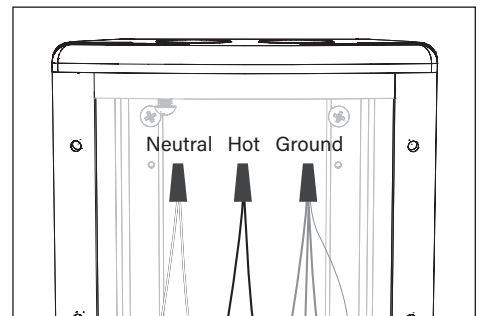


7. Pull branch circuit wiring and incoming dimming control wiring necessary for installation.



8. Attach tether wire under screw head at the base of the UPM housing and tighten. Slowly lower the faceplate until tether is taut.

NOTE: Faceplate tether supplied with UPM is designed as an installation aid and NOT a safety cable. Do not add weight to, or drop faceplate.



9. Use wire connectors (not included) to connect driver primary leads to branch circuit wires. Connect incoming ground to ground wire provided in UPM housing. **See wiring diagram.**

**IMPORTANT SAFETY INFORMATION LISTED ON REVERSE
READ, FOLLOW, AND SAVE ALL SAFETY AND INSTALLATION INSTRUCTIONS**

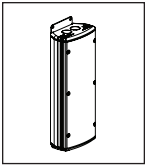


B-K LIGHTING

40429 Brickyard Drive • Madera, CA 93636 • USA
559.438.5800 • FAX 559.438.5900
www.bklighting.com • info@bklighting.com

RELEASE DATE
08/15/2023

REFERENCE NUMBER
INS-2044-01

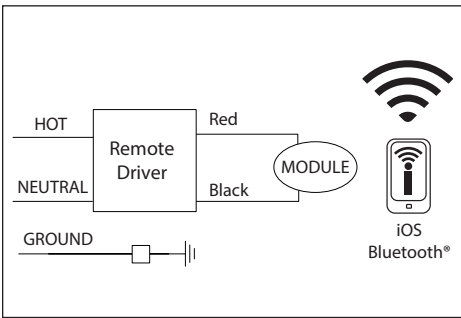


PM3DRM SURFACE MOUNT

INSPIRATION CONTROL SYSTEM

Standard Installation

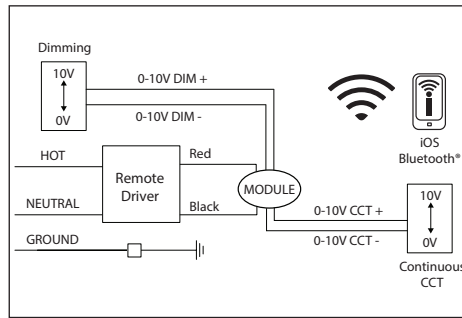
⚠️ iOS device (Not Included) with installed B-K Lighting Inspiration Application required for use.



WIRING DIAGRAM - Wireless Bluetooth® Controls with Inspiration Application on iOS device

iOS device controls dimming, CCT, Saturation, and Hue using Bluetooth® wireless controls and the application.

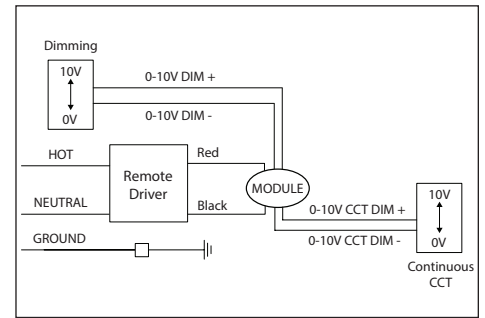
⚠️ iOS device must be within 5ft of fixture for wireless operation.



WIRING DIAGRAM - Hybrid

Secondary wiring from remote driver connects to fixture leads. 0-10V dimming connects to module. 0-10V Continuous CCT connects to module. iOS device controls Saturation and Hue.

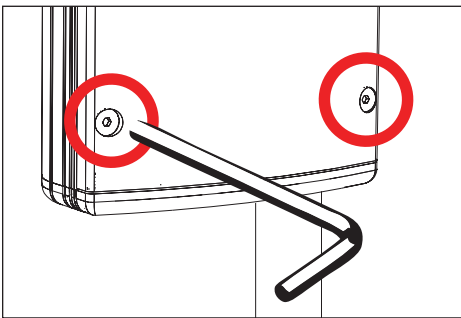
⚠️ iOS device must be within 5ft of fixture for wireless operation.



WIRING DIAGRAM - 0-10V Wired

Secondary wiring from remote driver connects to fixture leads. 0-10V dimming connects to module. 0-10V Continuous CCT connects to module and controls CCT.

⚠️ iOS device must be within 5ft of fixture for wireless operation.



10. Make sure UPM housing gasket is free of any dirt or debris. Attach the faceplate by tightening the six (6) #10-24 captive screws evenly using a 1/8" allen wrench.

**IMPORTANT SAFETY INFORMATION LISTED ON REVERSE
READ, FOLLOW, AND SAVE ALL SAFETY AND INSTALLATION INSTRUCTIONS**

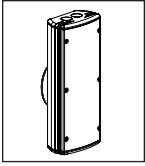


B-K LIGHTING

40429 Brickyard Drive • Madera, CA 93636 • USA
559.438.5800 • FAX 559.438.5900
www.bklighting.com • info@bklighting.com

RELEASE DATE
08/15/2023

REFERENCE NUMBER
INS-2044-01



PM3DRM SURFACE MOUNT

INSPIRATION CONTROL SYSTEM

Standard Installation



Flammable



Warning



High Voltage



Hot Surface

TOOLS NEEDED:



1/8" & 9/64" Allen Wrench



Waterproof Wire Connectors



Phillips Screwdriver



Level



iOS Device with Inspiration App

INSTRUCTIONS PERTAINING TO A RISK OF FIRE, OR INJURY TO PERSONS IMPORTANT SAFETY INSTRUCTIONS

Lighted fixture is HOT!

WARNING - To reduce the risk of FIRE OR INJURY TO PERSONS:

Turn off/unplug and allow to cool before replacing lamp/LED. Fixture gets HOT quickly! Contact only switch/plug when turning on. Do not touch hot lens, guard, or enclosure. Keep fixture away from materials that may burn. Do not operate the luminaire fitting with a missing or damaged shield. Do not touch the source at any time. Use a soft cloth or gloves. Oil from skin may cause damage.

SAVE THESE INSTRUCTIONS

IMPORTANT SAFETY INFORMATION - READ, FOLLOW, AND SAVE ALL SAFETY AND INSTALLATION INSTRUCTIONS

- Product must be installed by a qualified person in a manner consistent with its intended use and in compliance with the National Electrical Code, Canadian Electrical Code, and all Local and Provincial Codes.
- Follow product label information and instructions.
- Qualified Personnel with appropriate personal protective equipment must perform all servicing of this product.
- Before wiring to power supply and during servicing, turn off and lock out power at fuse or circuit breaker before service.
- The use of accessory equipment not recommended by the manufacturer or installed contrary to instructions may cause an unsafe condition. The use of damaged components may cause an unsafe condition and void product warranty.
- Do not block light emanating from product in whole or part, as this may cause an unsafe condition.
- Never operate the fixture with missing or damaged lens. Lens must be cleaned on regular basis.
- Entire fixture may become extremely hot. Do not touch hot lens or fixture body.
- Replace LED assembly only with correct wattage and type of power supply appropriate for LED assembly.
- All gaskets, o-rings and sealing surfaces must be kept clean during installation and service; failure to do this may cause an unsafe condition and void product warranty.

IMPORTANT LISTINGS AND CERTIFICATIONS

- Suitable for wet locations

REMOTE WIRING

LED Driver

Remote driver installations require inter-connected wiring between the LED and driver (not included). Drivers have specific wiring requirements between these components. Driver manufacturers regularly recommend the following wiring details for such installations:

- Do not exceed 50 foot overall wiring distance using 12 gauge copper wire.

Failure to comply with specific wiring requirements will void product warranty.

Device Requirements

iOS device with installed Inspiration Control System App is required for Bluetooth® Wireless Control.

Bluetooth® version 4.0 or higher required.

iOS Devices:

iPhone - iPhone 4s or newer

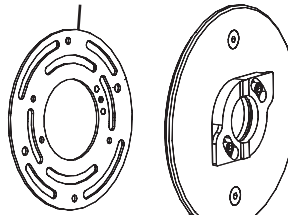
iPad - 3rd Gen iPad or newer

iPad Mini

iPad Air

iPod - iPod Touch 5th Gen or newer

Universal Mounting Ring



CamLock™

PM3DRM Housing

Knockouts



Faceplate

* UPM is covered in whole or in part by US patent #6,940,012

IMPORTANT SAFETY INFORMATION - READ, FOLLOW, AND SAVE THESE INSTALLATION INSTRUCTIONS

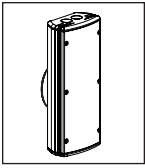
B-K LIGHTING

40429 Brickyard Drive • Madera, CA 93636 • USA
559.438.5800 • FAX 559.438.5900
www.bklighting.com • info@bklighting.com

RELEASE DATE
08/15/2023

REFERENCE NUMBER
INS-2044-02

THIS DOCUMENT CONTAINS PROPRIETARY INFORMATION OF B-K LIGHTING, INC. AND ITS RECEIPT OR POSSESSION DOES NOT CONVEY ANY RIGHTS TO REPRODUCE, DISCLOSE ITS CONTENTS, OR TO MANUFACTURE, USE OR SELL ANYTHING IT MAY DESCRIBE. REPRODUCTION, DISCLOSURE OR USE WITHOUT SPECIFIC WRITTEN AUTHORIZATION OF B-K LIGHTING, INC. IS STRICTLY FORBIDDEN.

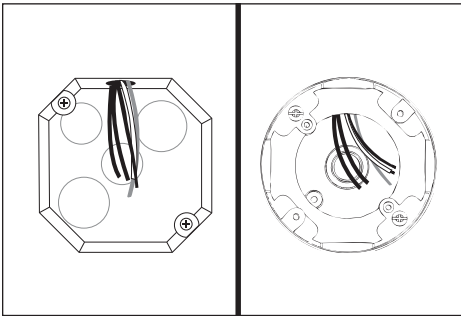


PM3DRM SURFACE MOUNT

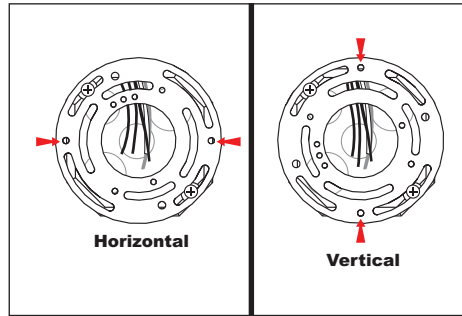
INSPIRATION CONTROL SYSTEM

Standard Installation

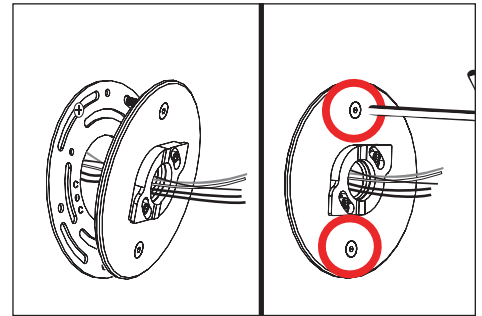
⚠️ iOS device (Not Included) with installed B-K Lighting Inspiration Application required for use.



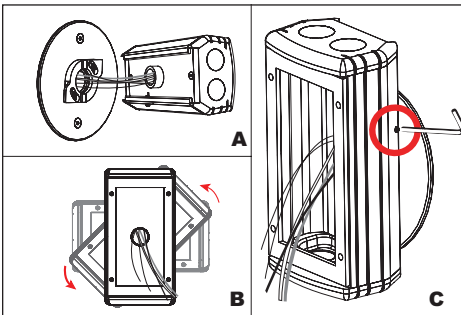
1. Install standard 4" octagonal/round recessed junction box in the final fixture location according to designed lighting plan.
2. Pull branch circuit wiring and dimming control wiring necessary for installation.



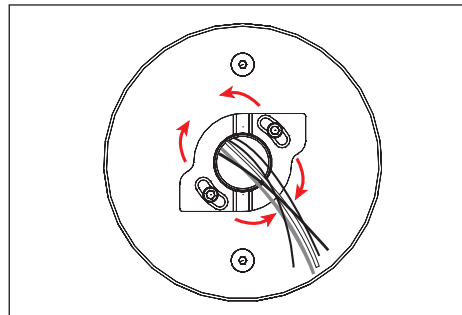
3. Install universal mounting ring.
- ⚠️ IMPORTANT!! Orientation of universal ring will affect orientation of UPM! Take note of mounting plate holes (indicated with arrows) on the universal ring holes to mount UPM in correct orientation.**



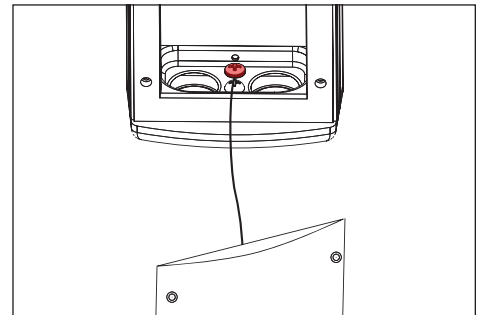
4. Feed branch circuit wiring and dimming control wiring through mounting plate with CamLock™ assembly. Attach mounting plate with supplied two (2) #10-24 stainless steel hex drive fasteners to universal ring using a 1/8" allen wrench.



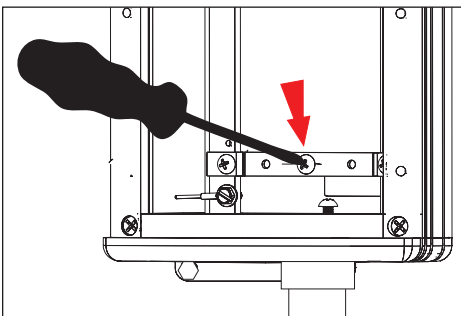
5. Feed branch circuit wiring and dimming control wiring into UPM housing. Install housing on CamLock™ at 90° to finished orientation as shown. (Figure A)
6. Rotate housing 90° counter-clockwise (Figure B). Tighten set screw with a 5/64" allen wrench on outside of UPM housing to lock in place. (Figure C)



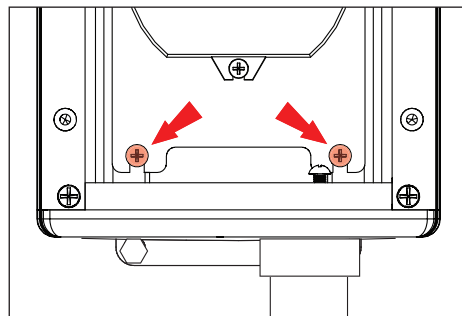
7. If UPM housing is not level, remove UPM housing; loosen but **DO NOT REMOVE** two (2) #8-32 screws with a 9/64" allen wrench on CamLock™ assembly. Adjust CamLock™ assembly up to 30° as needed to level. Tighten the screws and reattach UPM housing.



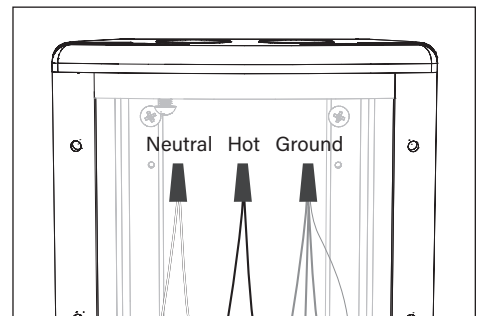
8. Attach tether wire under screw head at the base of the UPM housing. Slowly lower the faceplate until tether is taut.
- ⚠️ NOTE: Faceplate tether supplied with UPM is designed as an installation aid and NOT a safety cable. Do not add weight to, or drop faceplate.**



9. Remove the #8-32 screw in UPM housing using phillips screwdriver.



10. Slide driver feet under two screws in UPM housing and tighten screws using phillips screwdriver.



11. Reinstall #8-32 screw on other side of driver and tighten to secure driver to UPM housing.

12. Use wire connectors (not included) to connect driver primary leads to branch circuit wires. Connect incoming ground to ground wire provided in UPM housing. **See wiring diagram.**

**IMPORTANT SAFETY INFORMATION LISTED ON REVERSE
READ, FOLLOW, AND SAVE ALL SAFETY AND INSTALLATION INSTRUCTIONS**

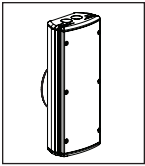


B-K LIGHTING

40429 Brickyard Drive • Madera, CA 93636 • USA
559.438.5800 • FAX 559.438.5900
www.bklighting.com • info@bklighting.com

RELEASE DATE
08/15/2023

REFERENCE NUMBER
INS-2044-02

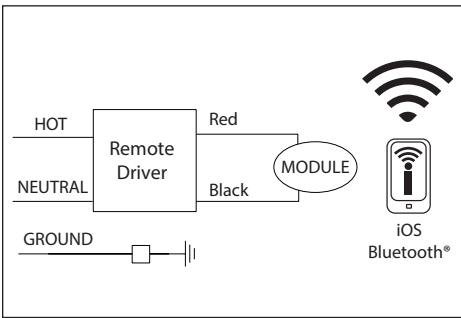


PM3DRM SURFACE MOUNT

INSPIRATION CONTROL SYSTEM

Standard Installation

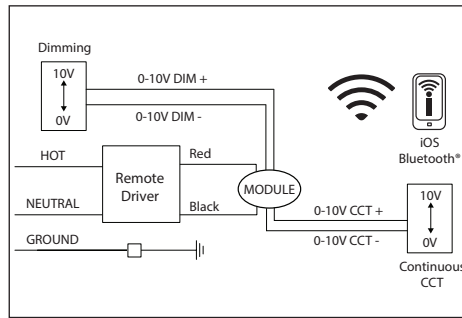
⚠️ iOS device (Not Included) with installed B-K Lighting Inspiration Application required for use.



WIRING DIAGRAM - Wireless Bluetooth® Controls with Inspiration Application on iOS device

iOS device controls dimming, CCT, Saturation, and Hue using Bluetooth® wireless controls and the application.

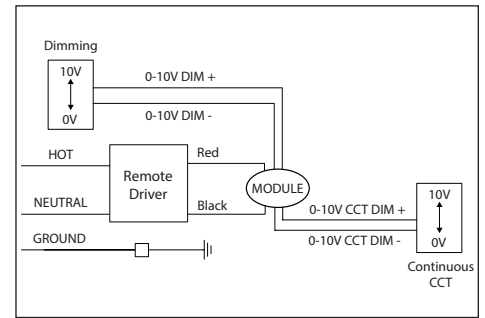
⚠️ iOS device must be within 5ft of fixture for wireless operation.



WIRING DIAGRAM - Hybrid

Secondary wiring from remote driver connects to fixture leads. 0-10V dimming connects to module. 0-10V Continuous CCT connects to module. iOS device controls Saturation and Hue.

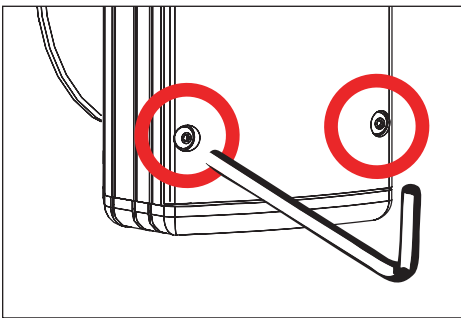
⚠️ iOS device must be within 5ft of fixture for wireless operation.



WIRING DIAGRAM - 0-10V Wired

Secondary wiring from remote driver connects to fixture leads. 0-10V dimming connects to module. 0-10V Continuous CCT connects to module and controls CCT.

⚠️ iOS device must be within 5ft of fixture for wireless operation.



13. Make sure UPM housing gasket is free of any dirt or debris. Attach the faceplate by tightening the six (6) #10-24 captive screws evenly using a 1/8" allen wrench.

**IMPORTANT SAFETY INFORMATION LISTED ON REVERSE
READ, FOLLOW, AND SAVE ALL SAFETY AND INSTALLATION INSTRUCTIONS**

