

### Standard Installation

# DENALI

## PALM TREE RING - INTEGRAL



Flammable



Warning



High Voltage



Hot Surface

#### TOOLS NEEDED:

- 5/32", 3/16", 0.050" & 5/64" Allen Wrench
- Waterproof Wire Connectors
- Phillips Screwdriver
- Inspiration Control System on iOS Device

### INSTRUCTIONS PERTAINING TO A RISK OF FIRE, OR INJURY TO PERSONS IMPORTANT SAFETY INSTRUCTIONS

#### Lighted fixture is HOT!

#### WARNING - To reduce the risk of FIRE OR INJURY TO PERSONS:

Turn off/unplug and allow to cool before replacing lamp/LED. Fixture gets HOT quickly! Contact only switch/plug when turning on. Do not touch hot lens, guard, or enclosure. Keep fixture away from materials that may burn. Do not operate the luminaire fitting with a missing or damaged shield. Do not touch the source at any time. Use a soft cloth or gloves. Oil from skin may cause damage.

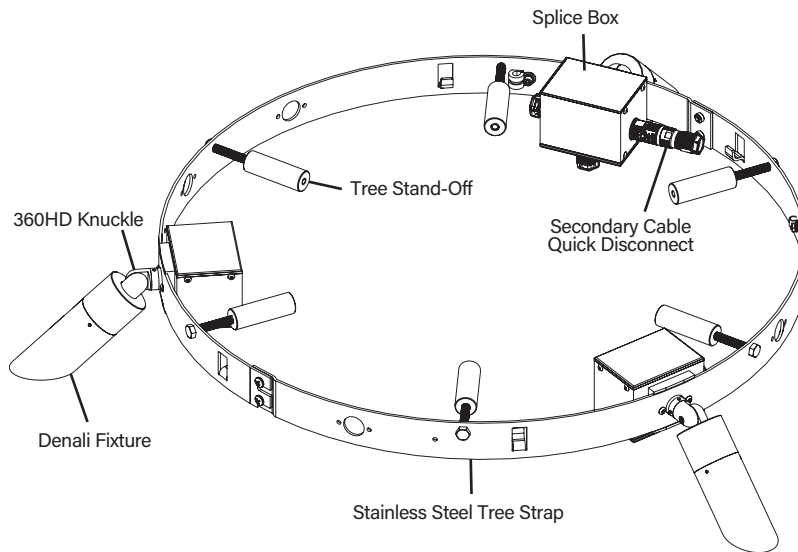
**SAVE THESE INSTRUCTIONS**

### IMPORTANT SAFETY INFORMATION - READ, FOLLOW, AND SAVE ALL SAFETY AND INSTALLATION INSTRUCTIONS

- Product must be installed by a qualified person in a manner consistent with its intended use and in compliance with the National Electrical Code, Canadian Electrical Code, and all Local and Provincial Codes.
- Follow product label information and instructions.
- Qualified Personnel with appropriate personal protective equipment must perform all servicing of this product.
- Before wiring to power supply and during servicing, turn off and lock out power at fuse or circuit breaker before service.
- The use of accessory equipment not recommended by the manufacturer or installed contrary to instructions may cause an unsafe condition. The use of damaged components may cause an unsafe condition and void product warranty.
- Do not block light emanating from product in whole or part, as this may cause an unsafe condition.
- Never operate the fixture with missing or damaged lens. Lens must be cleaned on regular basis.
- Entire fixture may become extremely hot. Do not touch hot lens or fixture body.
- Replace LED assembly only with correct wattage and type of power supply appropriate for LED assembly.
- All gaskets, o-rings and sealing surfaces must be kept clean during installation and service; failure to do this may cause an unsafe condition and void product warranty.

### IMPORTANT LISTINGS AND CERTIFICATIONS

- Suitable for wet locations



This set of instructions works for:

**PTR-DE-TR-C**  
Denali Series

For integral fixture configurations

### ⚠ Device Requirements

⚠ iOS device with installed Inspiration Control System App is required for Bluetooth® Wireless Control.

Bluetooth® version 4.0 or higher required.

#### iOS Devices:

- iPhone** - iPhone 4s or newer
- iPad** - 3rd Gen iPad or newer  
iPad Mini  
iPad Air
- iPod** - iPod Touch 5th Gen or newer

### IMPORTANT SAFETY INFORMATION - READ, FOLLOW, AND SAVE THESE INSTALLATION INSTRUCTIONS

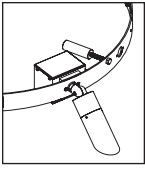
# B-K LIGHTING

40429 Brickyard Drive • Madera, CA 93636 • USA  
559.438.5800 • FAX 559.438.5900  
www.bklighting.com • info@bklighting.com

RELEASE DATE  
07/24/2023

REFERENCE NUMBER  
INS-2809-00

THIS DOCUMENT CONTAINS PROPRIETARY INFORMATION OF B-K LIGHTING, INC. AND ITS RECEIPT OR POSSESSION DOES NOT CONVEY ANY RIGHTS TO REPRODUCE, DISCLOSE ITS CONTENTS, OR TO MANUFACTURE, USE OR SELL ANYTHING IT MAY DESCRIBE. REPRODUCTION, DISCLOSURE OR USE WITHOUT SPECIFIC WRITTEN AUTHORIZATION OF B-K LIGHTING, INC. IS STRICTLY FORBIDDEN.



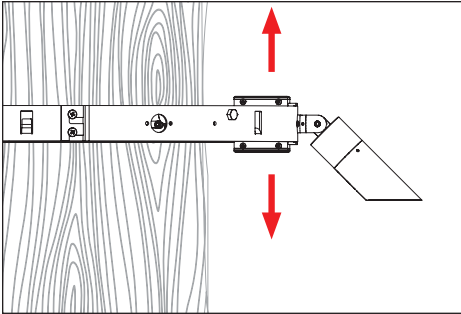
## Standard Installation

# DENALI

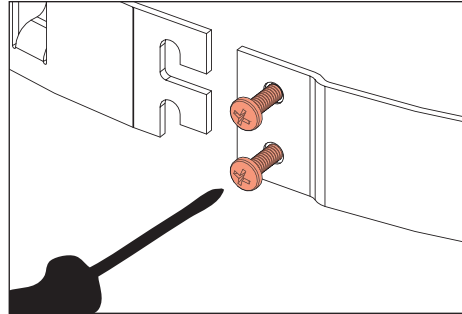
PALM TREE RING - INTEGRAL

**⚠️ iOS device (Not Included) with installed B-K Lighting Inspiration Application required for use.**

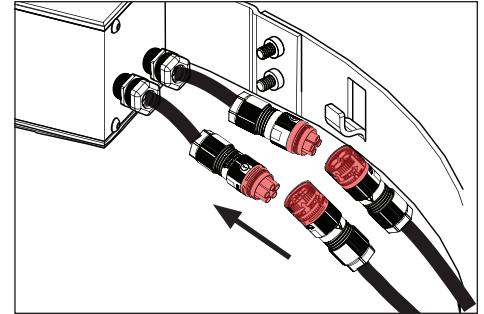
## Fixture Installation



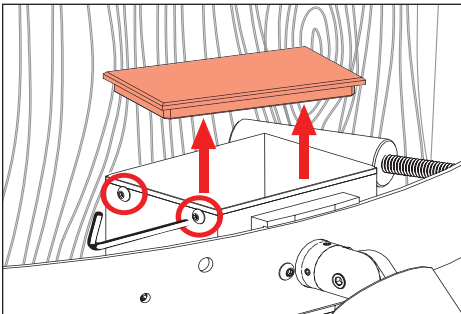
1. Place tree ring fixture around tree. Move fixture to desired height. Tighten the entire assembly to the tree with provided stand-offs.



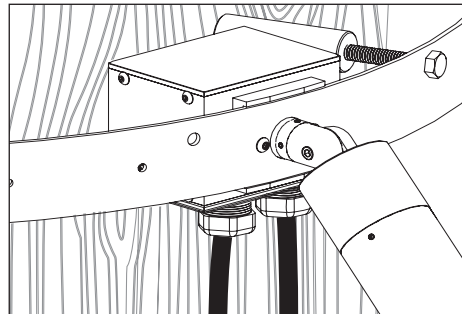
2. Secure by hooking end of strap over two (2) phillips screws. Secure by tightening two (2) phillips screws with phillips screwdriver.



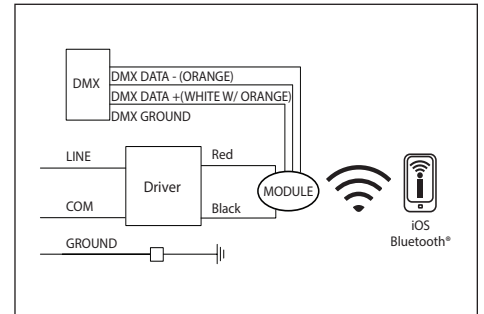
3. Connect secondary cable then twist to secure in place.



4. Remove top of driver housing by removing four (4) #8-32 set screws using a 5/64" allen wrench.



5. Bring line voltage cable from power line to main splice box location. Loosen cord grip on bottom of splice box, feed line voltage cable from power line through, then tighten cord grip to secure. Repeat step for DMX in cable.



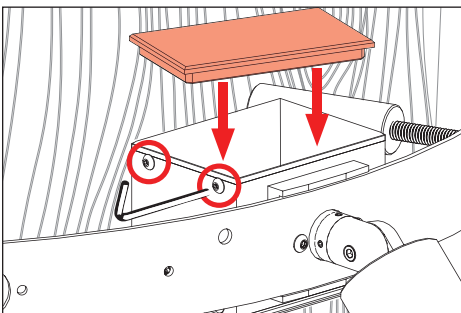
### WIRING DIAGRAM - DMX Controls with Inspiration Application on iOS device

iOS device controls dimming, CCT, Saturation, and Hue using Bluetooth® wireless controls and the application. DMX Controls (not included) are handled by external DMX programming.

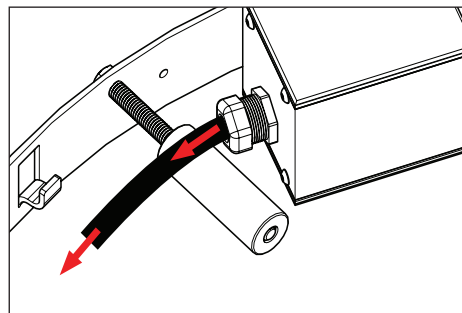
**⚠️ Driver housing will be marked for primary.**

**⚠️ iOS device (iPad, iPod, iPhone) with installed B-K Lighting Inspiration application is required.**

**⚠️ iOS device must be within 5ft of fixture for wireless operation.**

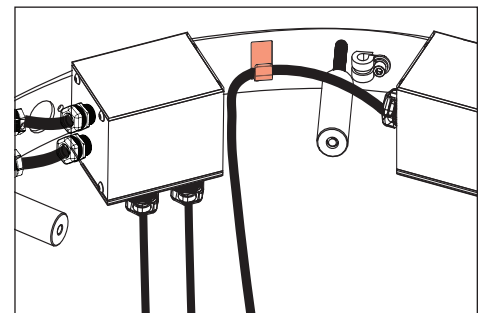


6. Replace top of driver housing with four (4) #8-32 screws with a 5/64" allen wrench.



7. Bring DMX OUT cable and feed cable through cord grip located on the splice box of the last fixture.

**⚠️ This step is only for continuous run.**



8. Run DMX OUT cable through hook on steel tree strap and bring down alongside line voltage cable.

**⚠️ This step is only for continuous run.**

**IMPORTANT SAFETY INFORMATION LISTED ON REVERSE  
READ, FOLLOW, AND SAVE ALL SAFETY AND INSTALLATION INSTRUCTIONS**

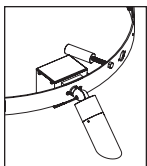


# B-K LIGHTING

40429 Brickyard Drive • Madera, CA 93636 • USA  
559.438.5800 • FAX 559.438.5900  
www.bklighting.com • info@bklighting.com

RELEASE DATE  
07/24/2023

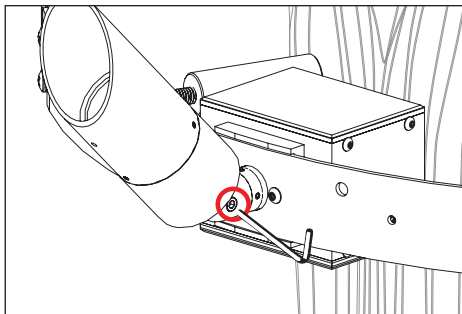
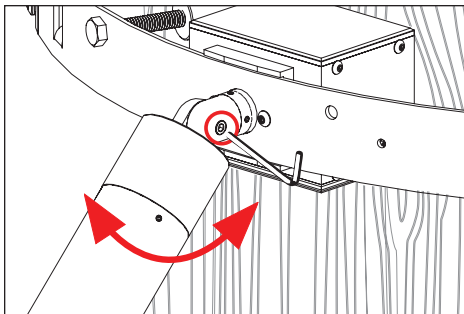
REFERENCE NUMBER  
INS-2809-00



### Standard Installation

**⚠️ iOS device (Not Included) with installed B-K Lighting Inspiration Application required for use.**

### 360HD Knuckle



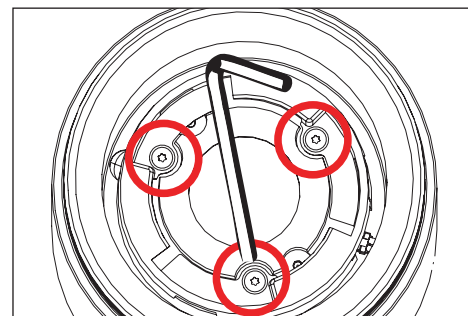
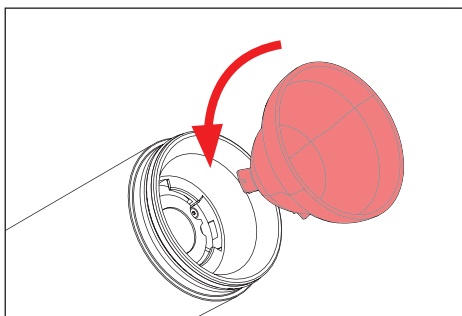
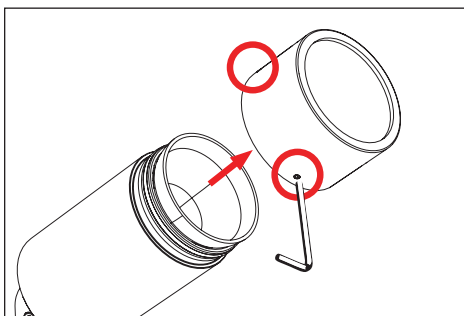
1. Use a 3/16" allen wrench to slightly loosen one (1) 3/8"-16 x 3/8" stainless steel black oxide set screw on the stem for 360° aiming purpose.
2. Rotate fixture at base and aim fixture to desired horizontal location.
3. Use a 3/16" allen wrench to loosen one (1) 1/4"-28 x 1-1/4" stainless steel black oxide socket head cap screw at the knuckle for vertical aiming purpose.

4. Tighten one (1) 3/8"-16 x 3/8" stainless steel black oxide set screw on the stem to secure horizontal aiming position.

Tighten one (1) 1/4"-28 x 1-1/4" stainless steel black oxide socket head cap screw to 24" minimum to 48" maximum pounds to secure vertical aiming position.

**⚠️ Warning: Do not over tighten set screw. Doing so will compromise o-ring seal and will void warranty.**

### To Replace Module



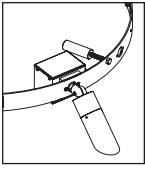
1. Remove cap by loosening three (3) #8-32 set screws using a 5/64" allen wrench.

2. Gently twist optic to the left so optic tabs are clear of optic holder and carefully pull away.

3. Loosen, then remove three (3) #2-28 screws from optic module using a .050" allen wrench. Remove optic holder from module.

**IMPORTANT SAFETY INFORMATION LISTED ON REVERSE  
READ, FOLLOW, AND SAVE ALL SAFETY AND INSTALLATION INSTRUCTIONS**



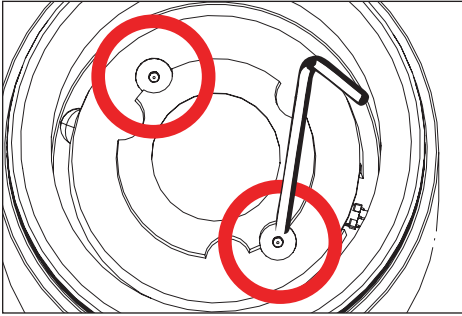


### Standard Installation

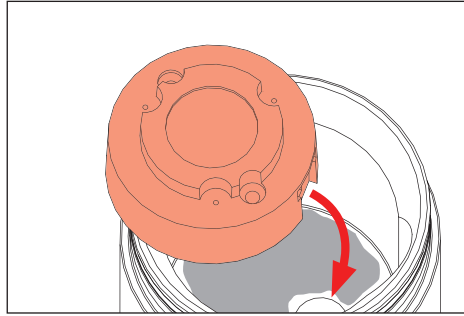
# DENALI

## PALM TREE RING - INTEGRAL

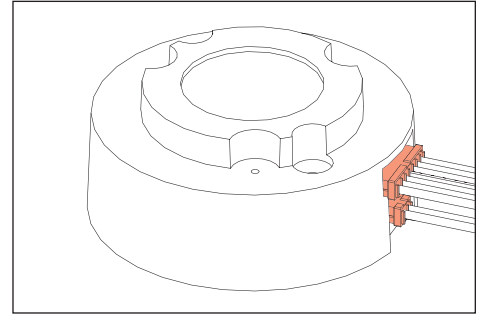
**⚠️ iOS device (Not Included) with installed B-K Lighting Inspiration Application required for use.**



- Loosen and remove two (2) #4-40 screws holding LED module to heatsink using a 0.050" allen wrench.
- Carefully remove LED module from heatsink, and disconnect the quick disconnect from the LED module.

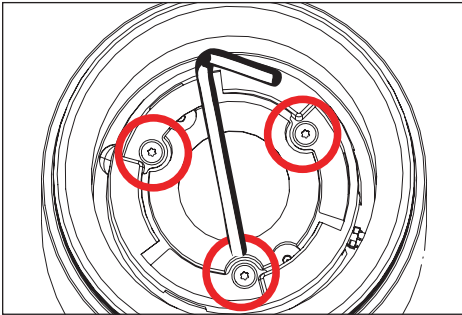


- Spread new thermal paste in even layer on heatsink. Line up new LED board and place on heatsink.

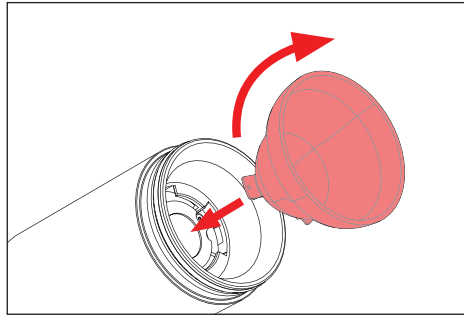


- Connect new LED module via quick disconnects. Place new LED module onto heatsink, lining up module with holes for screws.
- Secure LED module to heatsink with two (2) #4-40 screws.

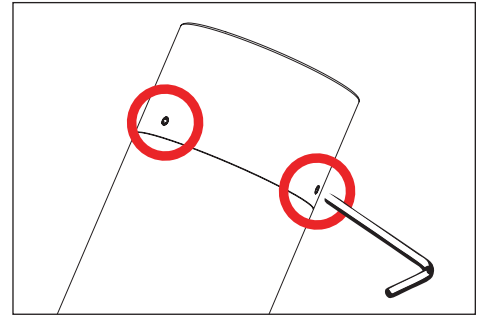
**⚠️ Do not pull on connectors or wiring. Handle with care.**



- Tighten three (3) #2-28 screws on optic module using a .050" allen wrench to secure optic holder.



- Line up optic tabs in the optic holder, then gently twist to the right to secure.



- Place cap on fixture and tighten three (3) #8-32 set screws with 5/64" Allen wrench. Top of screws should sit flush with fixture cap.

**⚠️ Warning: Do not over tighten set screw. Doing so will compromise o-ring seal and will void warranty.**

**IMPORTANT SAFETY INFORMATION LISTED ON REVERSE  
READ, FOLLOW, AND SAVE ALL SAFETY AND INSTALLATION INSTRUCTIONS**



# B-K LIGHTING

40429 Brickyard Drive • Madera, CA 93636 • USA  
559.438.5800 • FAX 559.438.5900  
www.bklighting.com • info@bklighting.com

RELEASE DATE  
07/24/2023

REFERENCE NUMBER  
INS-2809-00