

Standard Installation

YOSEMITE INTEGRAL - LED



Flammable



Warning



High Voltage



Hot Surface

TOOLS NEEDED:



7/64" & 0.050" Allen Wrench



Waterproof Wire Connectors

INSTRUCTIONS PERTAINING TO A RISK OF FIRE, OR INJURY TO PERSONS IMPORTANT SAFETY INSTRUCTIONS

Lighted fixture is HOT!

WARNING - To reduce the risk of FIRE OR INJURY TO PERSONS:

Turn off/unplug and allow to cool before replacing lamp/LED. Fixture gets HOT quickly! Contact only switch/plug when turning on. Do not touch hot lens, guard, or enclosure. Keep fixture away from materials that may burn. Do not operate the luminaire fitting with a missing or damaged shield. Do not touch the source at any time. Use a soft cloth or gloves. Oil from skin may cause damage.

SAVE THESE INSTRUCTIONS

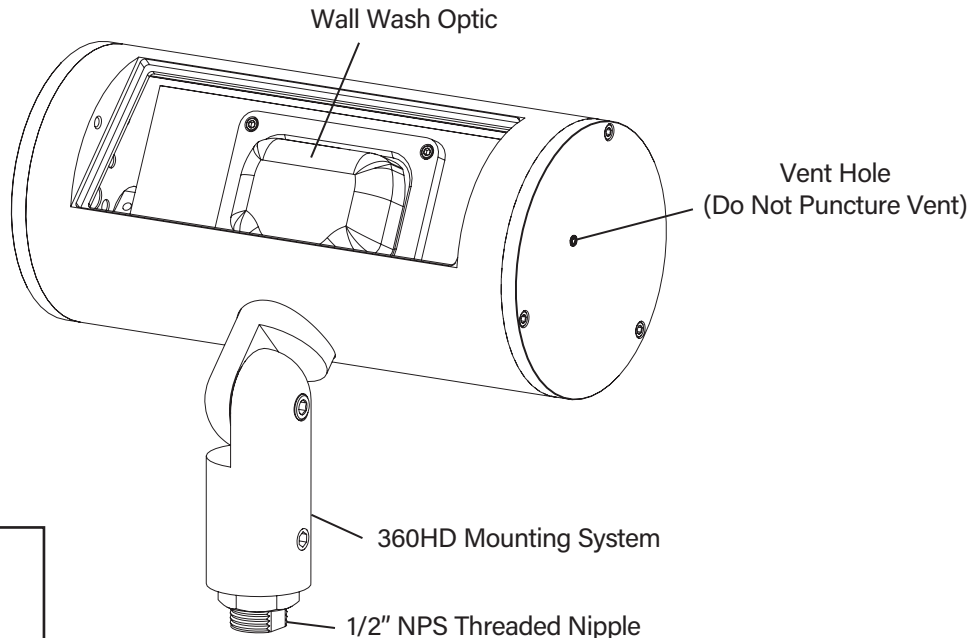
IMPORTANT SAFETY INFORMATION - READ, FOLLOW, AND SAVE ALL SAFETY AND INSTALLATION INSTRUCTIONS

- Product must be installed by a qualified person in a manner consistent with its intended use and in compliance with the National Electrical Code, Canadian Electrical Code, and all Local and Provincial Codes.
- Follow product label information and instructions.
- Qualified Personnel with appropriate personal protective equipment must perform all servicing of this product.
- Before wiring to power supply and during servicing, turn off and lock out power at fuse or circuit breaker before service.
- The use of accessory equipment not recommended by the manufacturer or installed contrary to instructions may cause an unsafe condition. The use of damaged components may cause an unsafe condition and void product warranty.
- Do not block light emanating from product in whole or part, as this may cause an unsafe condition.
- Never operate the fixture with missing or damaged lens. Lens must be cleaned on regular basis.
- Entire fixture may become extremely hot. Do not touch hot lens or fixture body.
- Replace LED assembly only with correct wattage and type of power supply appropriate for LED assembly.
- All gaskets, o-rings and sealing surfaces must be kept clean during installation and service; failure to do this may cause an unsafe condition and void product warranty.

IMPORTANT LISTINGS AND CERTIFICATIONS

- Suitable for wet locations • Additionally suitable for mounting within 4 ft. of the ground

YO - Yosemite Series



**FIXTURE MUST BE
MOUNTED TO UL
LISTED JUNCTION
BOX OR ENCLOSURE**

IMPORTANT SAFETY INFORMATION - READ, FOLLOW, AND SAVE THESE INSTALLATION INSTRUCTIONS

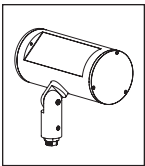
B-K LIGHTING

40429 Brickyard Drive • Madera, CA 93636 • USA
559.438.5800 • FAX 559.438.5900
www.bklighting.com • info@bklighting.com

RELEASE DATE
05/10/2023

REFERENCE NUMBER
INS-2845-00

THIS DOCUMENT CONTAINS PROPRIETARY INFORMATION OF B-K LIGHTING, INC. AND ITS RECEIPT OR POSSESSION DOES NOT CONVEY ANY RIGHTS TO REPRODUCE, DISCLOSE ITS CONTENTS, OR TO MANUFACTURE, USE OR SELL ANYTHING IT MAY DESCRIBE. REPRODUCTION, DISCLOSURE OR USE WITHOUT SPECIFIC WRITTEN AUTHORIZATION OF B-K LIGHTING, INC. IS STRICTLY FORBIDDEN.

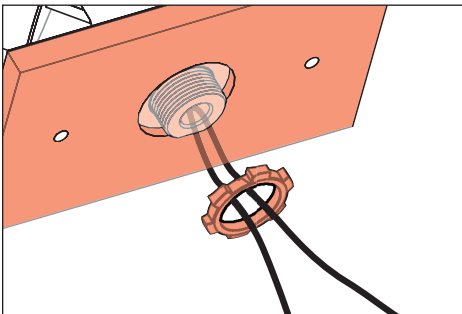


Standard Installation

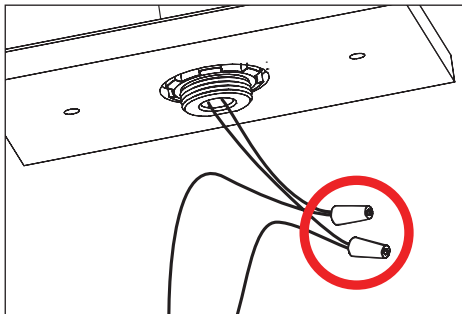
YOSEMITE

INTEGRAL - LED

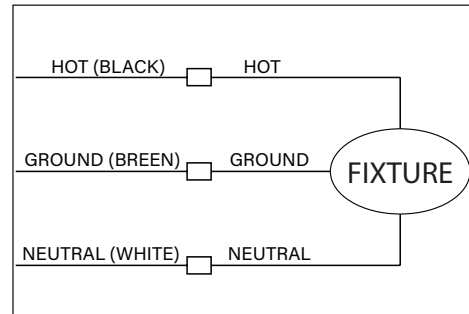
Fixture Installation



1. Mount fixture onto suitable enclosure according to designed lighting plan.
2. Secure 1/2" NPS stem to mounting option. Secure with provided locknut if applicable.



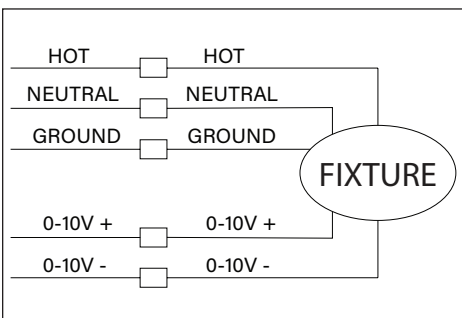
3. Make watertight connections from remote driver to fixture leads using waterproof wire connectors (not included). **See wiring diagram.**



WIRING DIAGRAM

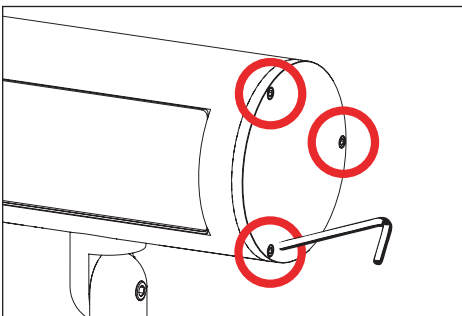
4. Pull branch circuit wiring. Make watertight connections from branch circuit wiring to fixture leads using waterproof wire connectors (not included) in splice location as per NEC. UL Listed splice location required. Connect incoming green ground wire to ground wire from fixture. **See wiring diagram.**

⚠ All line voltage connections must be made in compliance with the National Electrical Code. Failure to do so will void warranty.



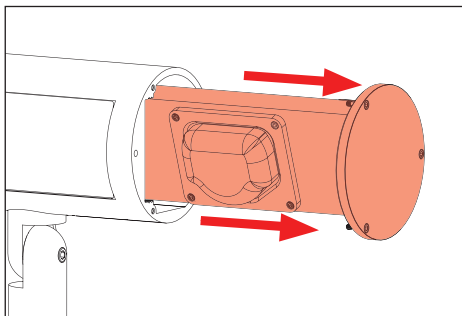
WIRING DIAGRAM (0-10)

LED and Optic Replacement



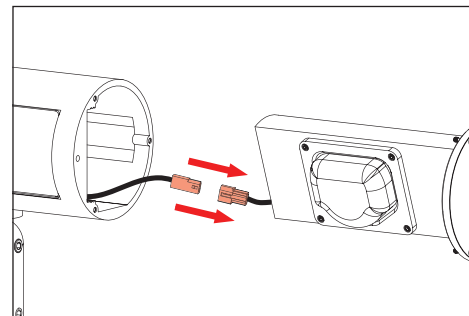
1. Loosen three (3) captive #6-32 screws securing cap/socket assembly with a 7/64" allen wrench.

⚠ NOTE: Only one end cap (without ACV) is removable.



2. Carefully pull out end cap assembly. LED is still attached to leads.

⚠ Do not pull on connector or wiring. Handle with care.



3. Detach heatsink from fixture body via quick disconnect.

⚠ Do not pull on connector or wiring. Handle with care.

**IMPORTANT SAFETY INFORMATION LISTED ON REVERSE
READ, FOLLOW, AND SAVE ALL SAFETY AND INSTALLATION INSTRUCTIONS**

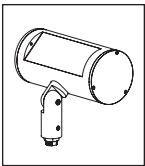


B-K LIGHTING

40429 Brickyard Drive • Madera, CA 93636 • USA
559.438.5800 • FAX 559.438.5900
www.bklighting.com • info@bklighting.com

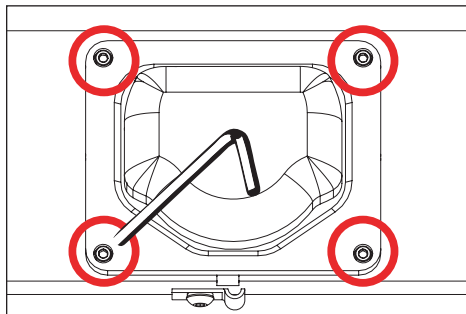
RELEASE DATE
05/10/2023

REFERENCE NUMBER
INS-2845-00

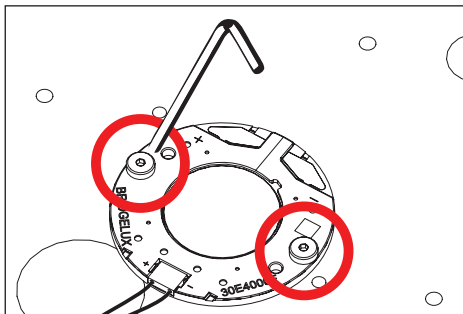


Standard Installation

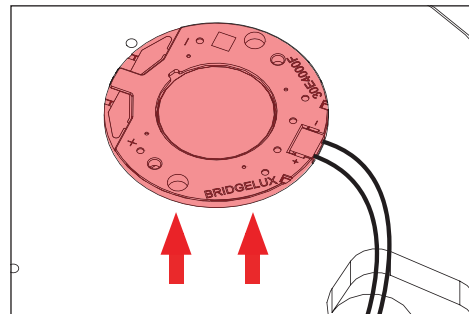
YOSEMITE INTEGRAL - LED



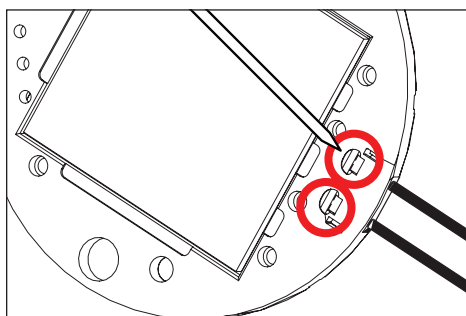
4. Loosen four (4) #6-32 screws on wall wash optic holder using a 7/64" allen wrench, then gently pull away to remove from heatsink.



5. Loosen, then remove two (2) #4-40 screws from LED module using a .050" allen wrench.

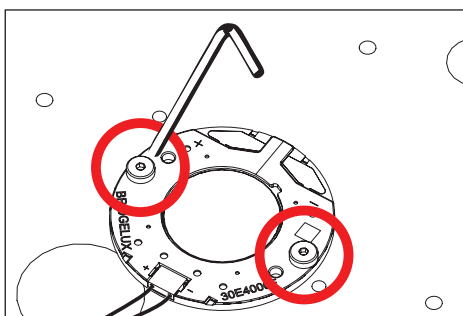


6. Carefully remove LED module from heatsink.
⚠ Do not pull on connector or wiring. Handle with care.

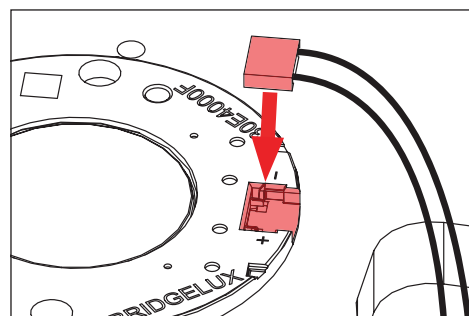


7. Use small pick tool to push connector off LED board through two small slots behind connector. Once loose, lift connector upwards and off board.

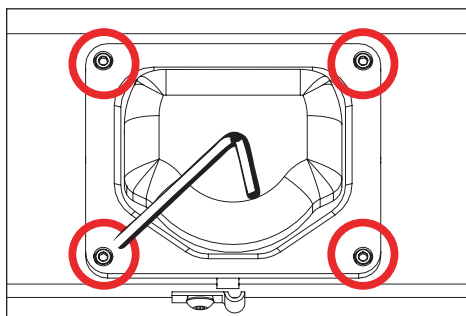
⚠ Fragile! Do not pull on connector or wiring. Handle with care.



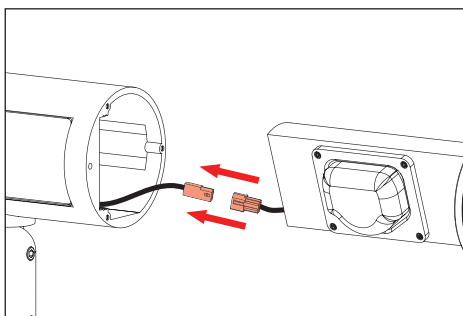
8. Spread thin, even layer of thermal paste on back of new LED module. Place new LED module onto heatsink, lining up module with holes for screws. Tighten two (2) #4-40 screws using a .050" allen wrench to secure LED module to heatsink.



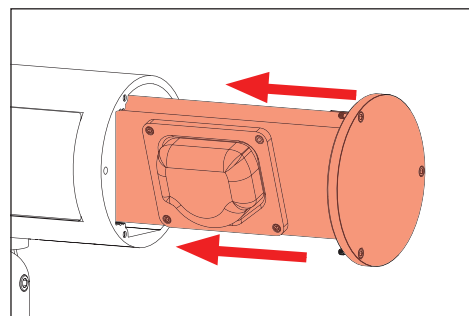
9. Press connector straight downwards into slot on module to snap into place.
⚠ Connector will only fit in one direction.



10. Place wall wash optic over LED module, lining up screw locations with holes in heatsink. Secure wall wash optic to heatsink with four (4) #6-32 screws using a 7/64" allen wrench.



11. Attach heatsink to fixture via quick disconnect.



12. Re-install end cap assembly.

**IMPORTANT SAFETY INFORMATION LISTED ON REVERSE
READ, FOLLOW, AND SAVE ALL SAFETY AND INSTALLATION INSTRUCTIONS**

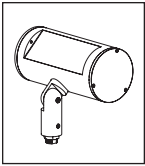


B-K LIGHTING

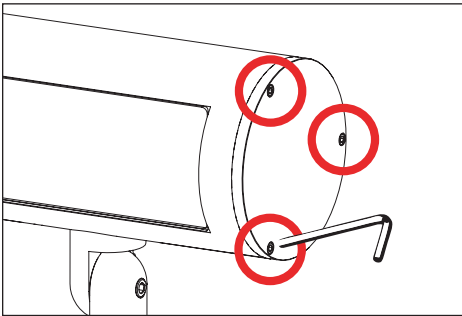
40429 Brickyard Drive • Madera, CA 93636 • USA
559.438.5800 • FAX 559.438.5900
www.bklighting.com • info@bklighting.com

RELEASE DATE
05/10/2023

REFERENCE NUMBER
INS-2845-00

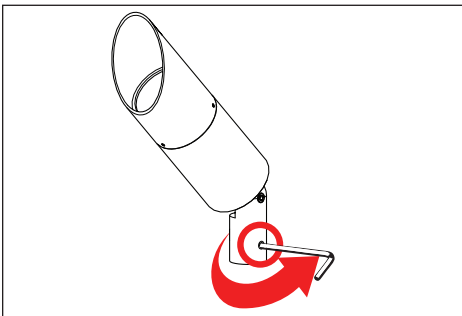


Standard Installation

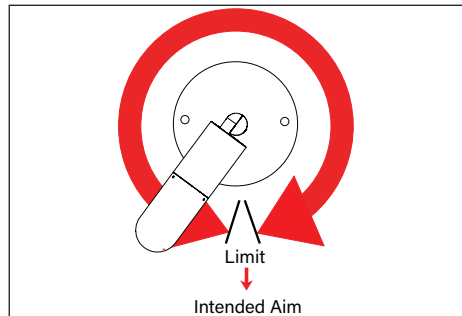


13. Tighten three (3) captive #6-32 screws with a 7/64" allen wrench to secure cap assembly.

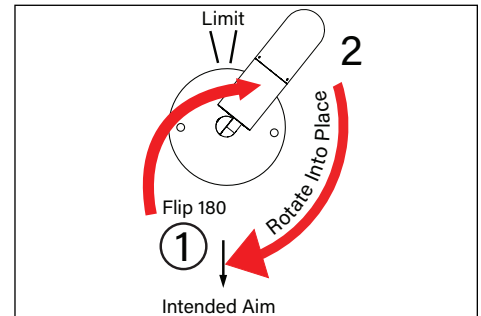
360HD Knuckle Mounting System



1. Use a 3/16" allen wrench to slightly loosen one (1) 3/8"-16 set screw on the knuckle for 360° aiming purpose.
2. Rotate fixture at base and aim fixture to desired horizontal location.



3. If the over-rotation protection pin is in the desired aiming position, do not force the fixture past the limit. Using a 3/16" allen wrench, slightly loosen both set screws in the knuckle, enough to move the fixture freely on both axes.



4. Flip the fixture 180 degrees over the knuckle. The rotational range limit will now be 180 degrees from the original position. Now rotate the fixture into the desired aiming position.
5. Secure aim by tightening one (1) 3/8"-16 set screw using a 3/16" allen wrench.

⚠ Rotating the cap may be necessary for proper weep hole and cutoff position

⚠ Warning: Do not over tighten cap set screws. Doing so will compromise o-ring seal and will void warranty.

**IMPORTANT SAFETY INFORMATION LISTED ON REVERSE
READ, FOLLOW, AND SAVE ALL SAFETY AND INSTALLATION INSTRUCTIONS**

