

UNIVERSAL POWER MODULE
UPM

PM2J RECTANGULAR CAMLOCK™

Recessed junction box installation



Warning



High Voltage



Hot Surface

NEEDED
FOR
INSTALLATION:

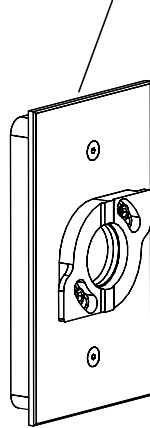
- 5/64" & 9/64" allen wrench
- Wire connectors
- Phillips screwdriver
- Level

By Others

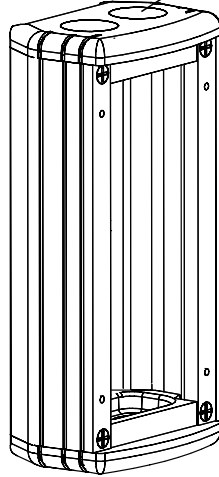
IMPORTANT SAFETY INFORMATION - READ, FOLLOW, AND SAVE ALL SAFETY AND INSTALLATION INSTRUCTIONS

- Product must be installed by a qualified person in a manner consistent with its intended use and in compliance with the National Electrical Code, Canadian Electrical Code, and all Local and Provincial Codes.
- Follow product label information and instructions.
- Qualified Personnel must perform all servicing or relamping of this product.
- Before wiring to power supply and during servicing or relamping, turn off power at fuse or circuit breaker before service.
- The use of accessory equipment not recommended by the manufacturer or installed contrary to instructions may cause an unsafe condition. The use of damaged components may cause an unsafe condition and void product warranty.
- Do not block light emanating from product in whole or part, as this may cause an unsafe condition.
- Never operate the fixture with missing or damaged lens. Lens must be cleaned on regular basis.
- Energized lamp gets hot very quickly. Allow it to cool before service.
- Entire fixture may become extremely hot. Do not touch hot lens or fixture body. Do not touch the lamp at any time. Use a clean, dry, soft cloth to handle the lamp. Oil from skin may damage the lamp and cause it to rupture.
- Replace lamp only with correct wattage and type of lamp marked on fixture label.
- All gaskets, o-rings and sealing surfaces must be kept clean during installation and service; failure to do this may cause an unsafe condition and void product warranty.

Rectangular UPM mounting plate with CamLock™ assembly

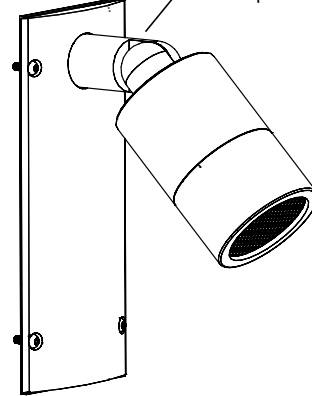


Patented 1/2" NPT knockouts*



UPM housing

UPM faceplate with fixture



* UPM is covered in whole or in part by US patent #6,940,012

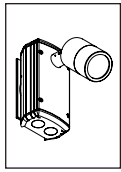
B-K LIGHTING

40429 Brickyard Drive • Madera, CA 93636 • USA
559.438.5800 • FAX 559.438.5900
www.bklighting.com • info@bklighting.com

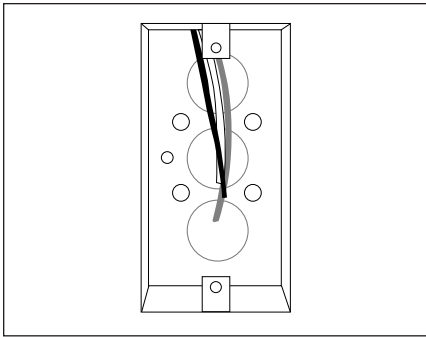
REVISION DATE
7-29-09

REFERENCE NUMBER
INS-1611B

THIS DOCUMENT CONTAINS PROPRIETARY INFORMATION OF B-K LIGHTING, INC. AND ITS RECEIPT OR POSSESSION DOES NOT CONVEY ANY RIGHTS TO REPRODUCE, DISCLOSE ITS CONTENTS, OR TO MANUFACTURE, USE OR SELL ANYTHING IT MAY DESCRIBE. REPRODUCTION, DISCLOSURE OR USE WITHOUT SPECIFIC WRITTEN AUTHORIZATION OF B-K LIGHTING, INC. IS STRICTLY FORBIDDEN.



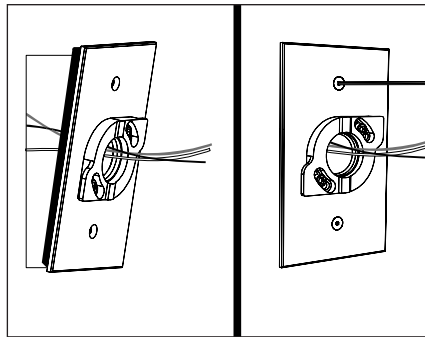
Recessed junction box installation



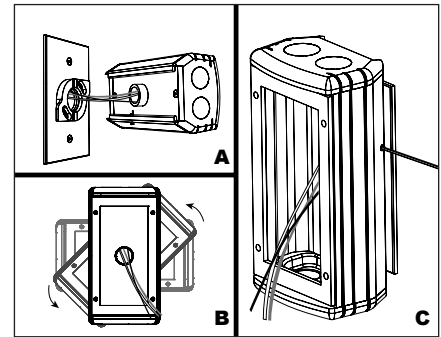
1. Install standard 4.5" x 2.85" recessed junction box (by others) in the final fixture location according to designed lighting plan.

⚠ NOTE: Vertical or horizontal installation of recessed junction box determines orientation of UPM.

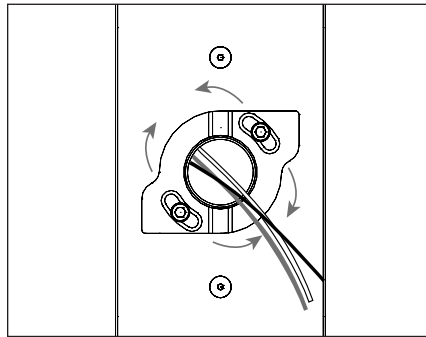
2. Pull branch circuit wiring necessary for installation (By Others.)



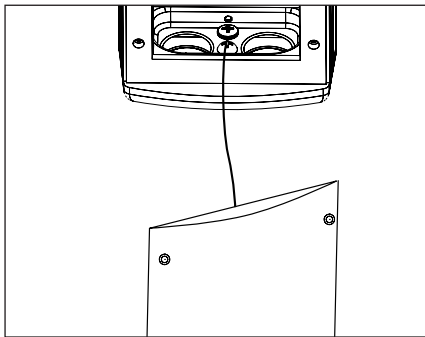
3. Feed branch circuit wiring through mounting plate with CamLock™ assembly. Attach mounting plate with supplied (2) #6-32 stainless steel hex drive fasteners to recessed junction box using a 5/64" allen wrench.



4. Feed wire into UPM housing. Install housing on CamLock™ at 90° to finished orientation as shown. (Figure A)
5. Rotate housing 90° counter-clockwise (Figure B). Tighten set screw with 5/64" allen wrench on outside of UPM housing to lock in place. (Figure C)

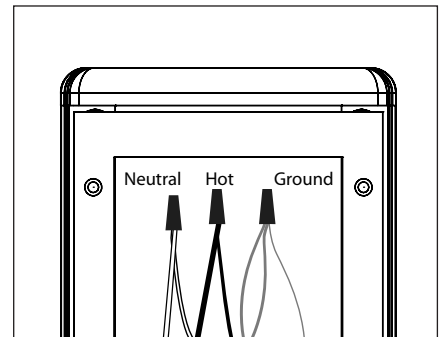


6. If UPM housing is not level, remove UPM housing; loosen but **DO NOT REMOVE** (2) #8-32 screws with 9/64" allen wrench on CamLock™ assembly. Adjust CamLock™ assembly up to 30° as needed to level. Tighten the screws and reattach UPM housing.

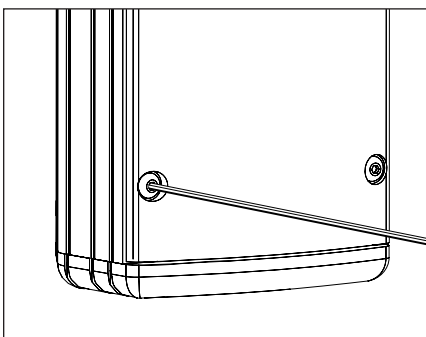


7. Attach tether wire under screw head at the base of the UPM housing and tighten. Slowly lower the faceplate until tether is taut.

⚠ NOTE: Faceplate tether supplied with UPM is designed as an installation aid and NOT a safety cable. Do not add weight to, or drop faceplate.



8. Use wire connectors (By Others) to connect branch circuit leads to lamp leads. Connect incoming ground and lamp ground to ground wire provided in UPM housing.

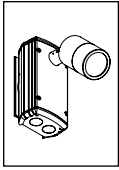


9. Make sure UPM body gasket is free of any dirt or debris. Attach the faceplate by tightening the (4) #6-32 captive screws evenly to 6-9 in/lbs using a 5/64" allen wrench.

**IMPORTANT SAFETY INFORMATION LISTED ON REVERSE
READ, FOLLOW, AND SAVE ALL SAFETY AND INSTALLATION INSTRUCTIONS**



ETL LISTED
CONFORMS TO ANSI/UL
STANDARD 1598
CERTIFIED TO CAN/CSA
STANDARD C22.2 NO. 250



UNIVERSAL POWER MODULE
UPM

Recessed junction box installation

PM2J ROUND CAMLOCK™



Warning



High Voltage



Hot Surface

NEEDED
FOR
INSTALLATION:

1/8", 5/64" & 9/64" allen wrench

Wire connectors

Phillips screwdriver

Level

By Others

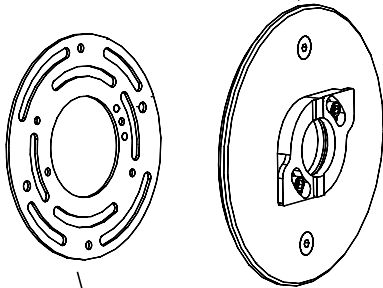
IMPORTANT SAFETY INFORMATION - READ, FOLLOW, AND SAVE ALL SAFETY AND INSTALLATION INSTRUCTIONS

- Product must be installed by a qualified person in a manner consistent with its intended use and in compliance with the National Electrical Code, Canadian Electrical Code, and all Local and Provincial Codes.
- Follow product label information and instructions.
- Qualified Personnel must perform all servicing or relamping of this product.
- Before wiring to power supply and during servicing or relamping, turn off power at fuse or circuit breaker before service.
- The use of accessory equipment not recommended by the manufacturer or installed contrary to instructions may cause an unsafe condition. The use of damaged components may cause an unsafe condition and void product warranty.
- Do not block light emanating from product in whole or part, as this may cause an unsafe condition.
- Never operate the fixture with missing or damaged lens. Lens must be cleaned on regular basis.
- Energized lamp gets hot very quickly. Allow it to cool before service.
- Entire fixture may become extremely hot. Do not touch hot lens or fixture body. Do not touch the lamp at any time. Use a clean, dry, soft cloth to handle the lamp. Oil from skin may damage the lamp and cause it to rupture.
- Replace lamp only with correct wattage and type of lamp marked on fixture label.
- All gaskets, o-rings and sealing surfaces must be kept clean during installation and service; failure to do this may cause an unsafe condition and void product warranty.

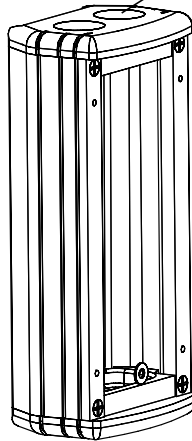
Round UPM mounting plate with CamLock™ assembly

Patented 1/2" NPT knockouts*

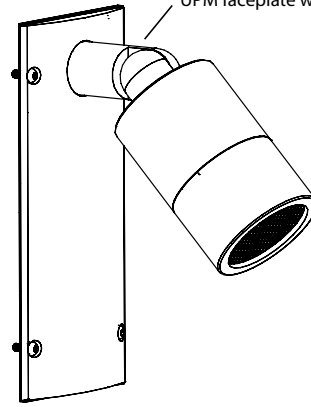
UPM faceplate with fixture



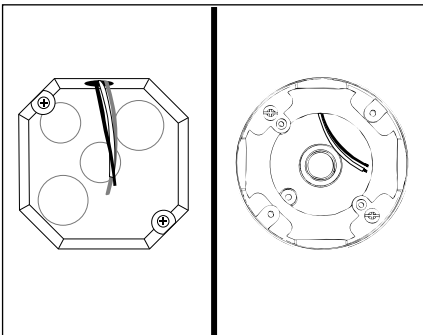
Universal mounting ring



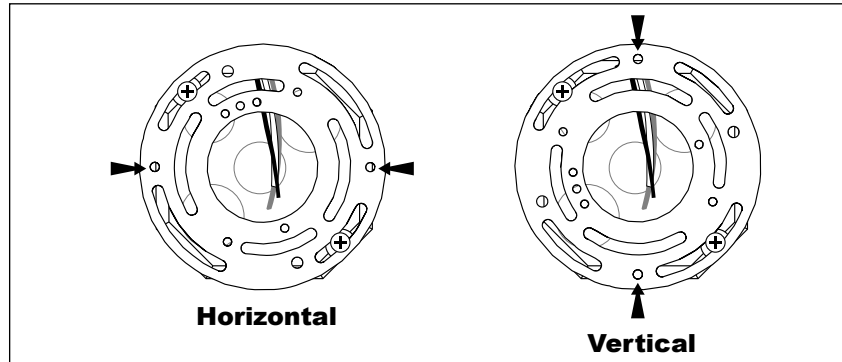
UPM housing



* UPM is covered in whole or in part by US patent #6,940,012



1. Install standard 4" octagonal/round recessed junction box in the final fixture location according to designed lighting plan.
2. Pull branch circuit wiring necessary for installation (By Others.)



3. Install universal mounting ring.

⚠ IMPORTANT!! Orientation of universal ring will affect orientation of UPM! Take note of mounting plate holes (indicated with arrows) on the universal ring holes to mount UPM in correct orientation.

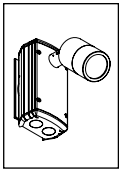
B-K LIGHTING

40429 Brickyard Drive • Madera, CA 93636 • USA
559.438.5800 • FAX 559.438.5900
www.bklighting.com • info@bklighting.com

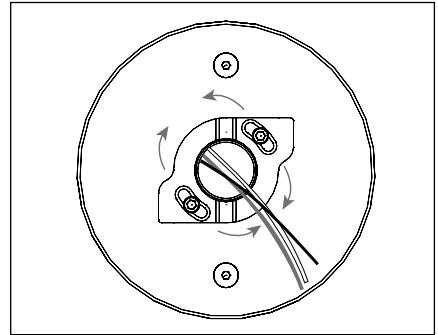
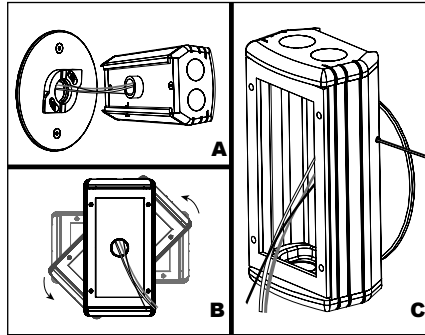
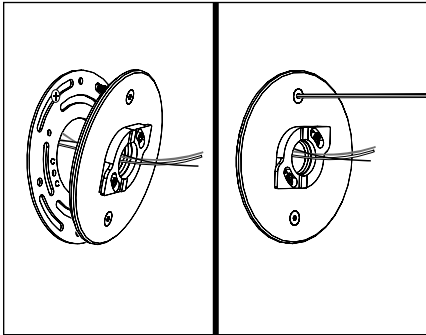
REVISION DATE
7-29-09

REFERENCE NUMBER
INS-1611A

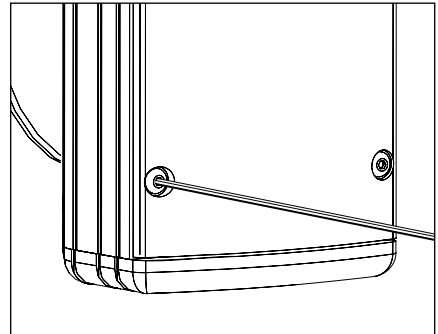
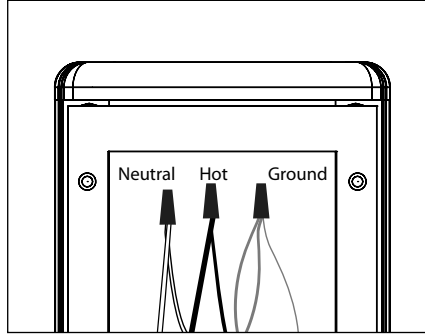
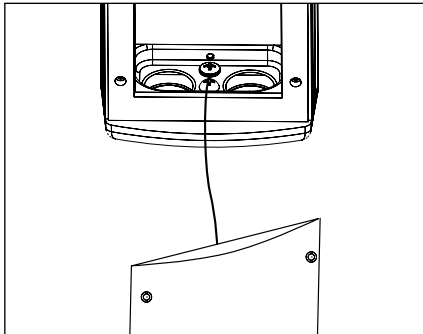
THIS DOCUMENT CONTAINS PROPRIETARY INFORMATION OF B-K LIGHTING, INC. AND ITS RECEIPT OR POSSESSION DOES NOT CONVEY ANY RIGHTS TO REPRODUCE, DISCLOSE ITS CONTENTS, OR TO MANUFACTURE, USE OR SELL ANYTHING IT MAY DESCRIBE. REPRODUCTION, DISCLOSURE OR USE WITHOUT SPECIFIC WRITTEN AUTHORIZATION OF B-K LIGHTING, INC. IS STRICTLY FORBIDDEN.



Recessed junction box installation



4. Feed branch circuit wiring through mounting plate with CamLock™ assembly. Attach mounting plate with supplied (2) #10-24 stainless steel hex drive fasteners to universal ring using 1/8" allen wrench.
5. Feed branch circuit wiring into UPM housing. Install housing on CamLock™ at 90° to finished orientation as shown. (Figure A)
6. Rotate housing 90° counter-clockwise (Figure B). Tighten set screw with 5/64" allen wrench on outside of UPM housing to lock in place. (Figure C)
7. If UPM housing is not level, remove UPM housing; loosen but **DO NOT REMOVE** (2) #8-32 screws with 9/64" allen wrench on CamLock™ assembly. Adjust CamLock™ assembly up to 30° as needed to level. Tighten the screws and reattach UPM housing.



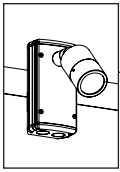
8. Attach tether wire under screw head at the base of the UPM housing. Slowly lower the faceplate until tether is taut.
9. Use wire connectors (By Others) to connect branch circuit leads to lamp leads. Connect incoming ground and lamp ground to ground wire provided in UPM housing.
10. Make sure UPM body gasket is free of any dirt or debris. Attach the faceplate by tightening the (4) #6-32 captive screws evenly to 6-9 in/lbs using a 5/64" allen wrench.

⚠ NOTE: Faceplate tether supplied with UPM is designed as an installation aid and NOT a safety cable. Do not add weight to, or drop faceplate.

**IMPORTANT SAFETY INFORMATION LISTED ON REVERSE
READ, FOLLOW, AND SAVE ALL SAFETY AND INSTALLATION INSTRUCTIONS**



ETL LISTED
CONFORMS TO ANSI/UL
STANDARD 1598
CERTIFIED TO CAN/CSA
STANDARD C22.2 NO. 250



UNIVERSAL POWER MODULE
UPM

Tree Strap™ Installation

PM2J TREE STRAP™



Warning



High Voltage



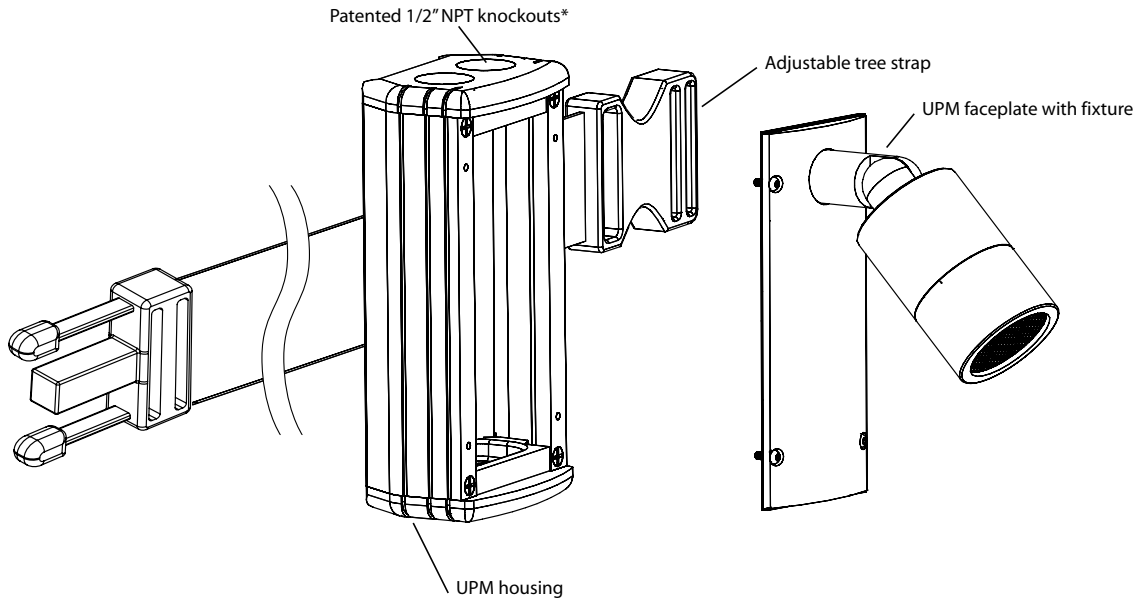
Hot Surface

NEEDED FOR INSTALLATION:	5/64" allen wrench
	Wire connectors
	Hammer
	Phillips screwdriver

By Others

IMPORTANT SAFETY INFORMATION - READ, FOLLOW, AND SAVE ALL SAFETY AND INSTALLATION INSTRUCTIONS

- Product must be installed by a qualified person in a manner consistent with its intended use and in compliance with the National Electrical Code, Canadian Electrical Code, and all Local and Provincial Codes.
- Follow product label information and instructions.
- Qualified Personnel must perform all servicing or relamping of this product.
- Before wiring to power supply and during servicing or relamping, turn off power at fuse or circuit breaker before service.
- The use of accessory equipment not recommended by the manufacturer or installed contrary to instructions may cause an unsafe condition. The use of damaged components may cause an unsafe condition and void product warranty.
- Do not block light emanating from product in whole or part, as this may cause an unsafe condition.
- Never operate the fixture with missing or damaged lens. Lens must be cleaned on regular basis.
- Energized lamp gets hot very quickly. Allow it to cool before service.
- Entire fixture may become extremely hot. Do not touch hot lens or fixture body. Do not touch the lamp at any time. Use a clean, dry, soft cloth to handle the lamp. Oil from skin may damage the lamp and cause it to rupture.
- Replace lamp only with correct wattage and type of lamp marked on fixture label.
- All gaskets, o-rings and sealing surfaces must be kept clean during installation and service; failure to do this may cause an unsafe condition and void product warranty.



* UPM is covered in whole or in part by US patent #6,940,012

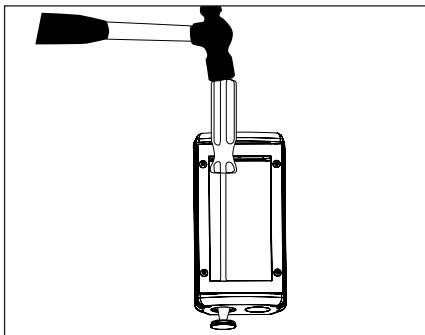
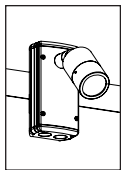
B-K LIGHTING

40429 Brickyard Drive • Madera, CA 93636 • USA
559.438.5800 • FAX 559.438.5900
www.bklighting.com • info@bklighting.com

REVISION DATE
7-29-09

REFERENCE NUMBER
INS-1612

THIS DOCUMENT CONTAINS PROPRIETARY INFORMATION OF B-K LIGHTING, INC. AND ITS RECEIPT OR POSSESSION DOES NOT CONVEY ANY RIGHTS TO REPRODUCE, DISCLOSE ITS CONTENTS, OR TO MANUFACTURE, USE OR SELL ANYTHING IT MAY DESCRIBE. REPRODUCTION, DISCLOSURE OR USE WITHOUT SPECIFIC WRITTEN AUTHORIZATION OF B-K LIGHTING, INC. IS STRICTLY FORBIDDEN.

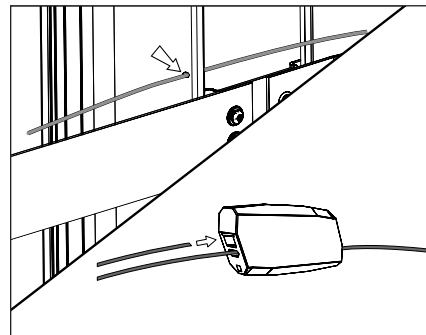


1. Remove Patented Knockout(s) as necessary from the inside of the UPM housing. Leave remaining unused knockouts in place to maintain seal.

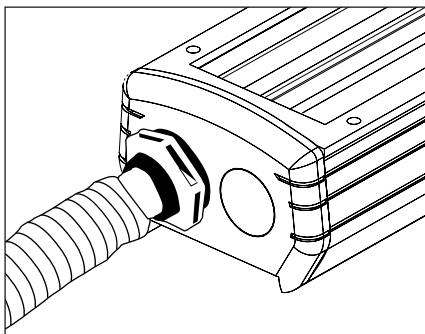
NOTE: Patented design featuring a silicone 'O' Ring allowing knockout to be tapped back into place to renew seal integrity.



2. Use adjustable strap provided to attach UPM housing to tree. Tighten by pulling on the adjustable strap until secure.

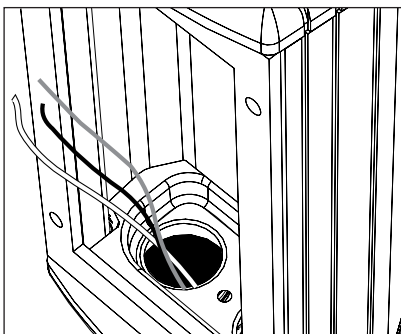


3. **Optional Step on PM1 & PM2:** Thread safety cable through hole on the back of the UPM housing. Feed safety cable through opposing ends of the connector. Pull on wires to assure the connection is secure. Leave enough slack in safety cable for tree growth. Adjustments can be made by pressing release spring with a pin or 3/64" allen tool.

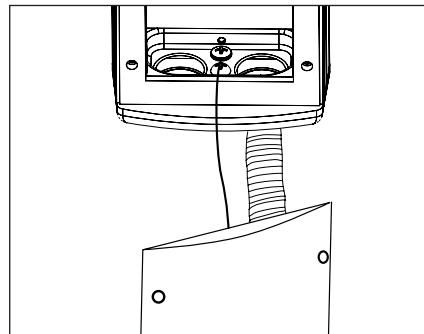


4. Connect 1/2" conduit connector through female threaded conduit entry.

⚠ NOTE: Surface conduit is a common entrance for water if not properly sealed. Seal connector threads and conduit pipe with a suitable sealant (Teflon tape, adhesive, etc). Sealing the conduit after knockouts are removed is required to maintain warranty.

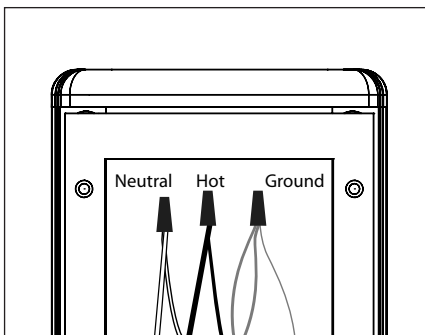


5. Pull branch circuit wiring necessary for installation (By Others.)

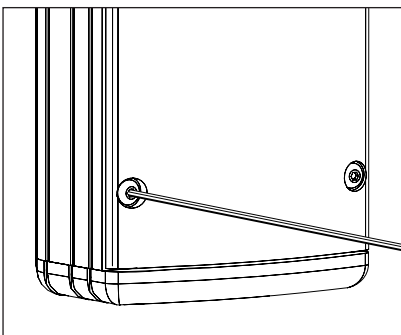


6. Attach tether wire under screw head at the base of the UPM housing and tighten. Slowly lower the faceplate until tether is taut.

⚠ NOTE: Faceplate tether supplied with UPM is designed as an installation aid and NOT a safety cable. Do not add weight to, or drop faceplate.



7. Use wire connectors (By Others) to connect branch circuit leads to lamp leads. Connect incoming ground and lamp ground to ground wire provided in UPM housing.

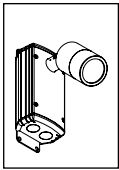


8. Make sure UPM body gasket is free of any dirt or debris. Attach the faceplate by tightening the (4) #6-32 captive screws evenly to 6-9 in/lbs using a 5/64" allen wrench.

**IMPORTANT SAFETY INFORMATION LISTED ON REVERSE
READ, FOLLOW, AND SAVE ALL SAFETY AND INSTALLATION INSTRUCTIONS**



ETL LISTED
CONFORMS TO ANSI/UL
STANDARD 1598
CERTIFIED TO CAN/CSA
STANDARD C22.2 NO. 250



UNIVERSAL POWER MODULE
UPM

Surface Mount installation

PM2J SURFACE MOUNT



Warning









High Voltage



Hot Surface

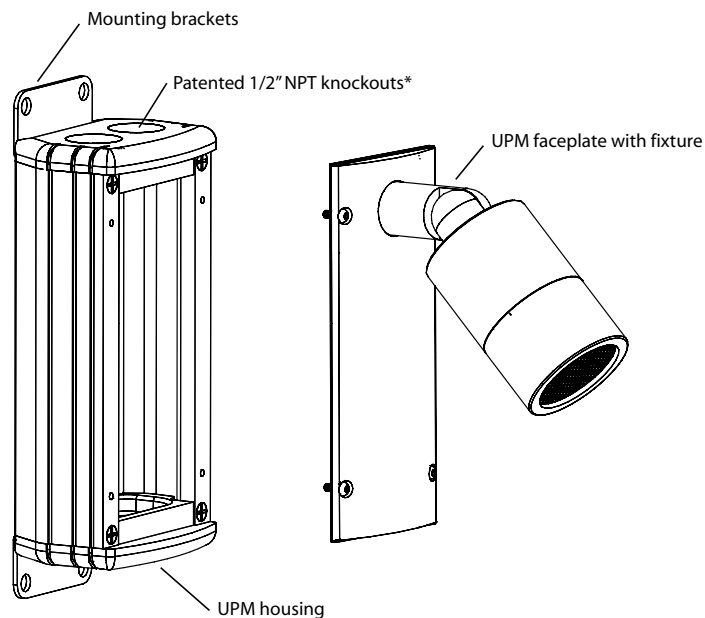
NEEDED FOR INSTALLATION:

-  5/64" allen wrench
-  1/4" drill bit and drill
-  Wire connectors
-  Mounting hardware
-  Hammer
-  Phillips screwdriver

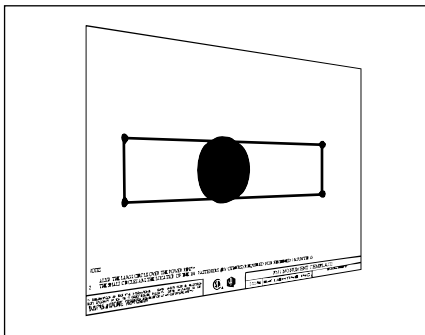
By others

IMPORTANT SAFETY INFORMATION - READ, FOLLOW, AND SAVE ALL SAFETY AND INSTALLATION INSTRUCTIONS

- Product must be installed by a qualified person in a manner consistent with its intended use and in compliance with the National Electrical Code, Canadian Electrical Code, and all Local and Provincial Codes.
- Follow product label information and instructions.
- Qualified Personnel must perform all servicing or relamping of this product.
- Before wiring to power supply and during servicing or relamping, turn off power at fuse or circuit breaker before service.
- The use of accessory equipment not recommended by the manufacturer or installed contrary to instructions may cause an unsafe condition. The use of damaged components may cause an unsafe condition and void product warranty.
- Do not block light emanating from product in whole or part, as this may cause an unsafe condition.
- Never operate the fixture with missing or damaged lens. Lens must be cleaned on regular basis.
- Energized lamp gets hot very quickly. Allow it to cool before service.
- Entire fixture may become extremely hot. Do not touch hot lens or fixture body. Do not touch the lamp at any time. Use a clean, dry, soft cloth to handle the lamp. Oil from skin may damage the lamp and cause it to rupture.
- Replace lamp only with correct wattage and type of lamp marked on fixture label.
- All gaskets, o-rings and sealing surfaces must be kept clean during installation and service; failure to do this may cause an unsafe condition and void product warranty.

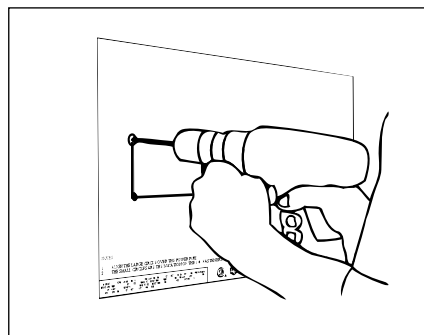


* UPM is covered in whole or in part by US patent #6,940,012

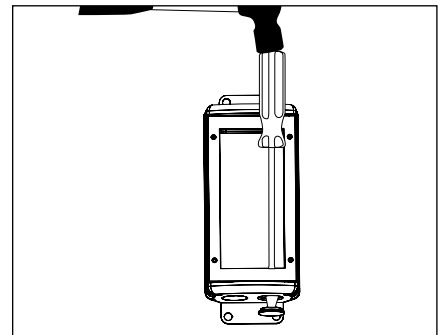


1. Place provided template in final mounting position according to designed lighting plan.

NOTE: Additional templates are available at <http://www.bklighting.com/templates>



2. Drill holes into surface for 1/4" fasteners (by others) on locations illustrated on template.



3. Remove Patented Knockout(s) as necessary from the inside of the UPM housing. Leave remaining unused knockouts in place to maintain seal.

NOTE: Patented design featuring a silicone 'O' Ring allowing knockout to be tapped back into place to renew seal integrity.

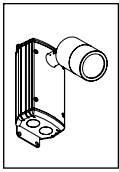
B-K LIGHTING

40429 Brickyard Drive • Madera, CA 93636 • USA
559.438.5800 • FAX 559.438.5900
www.bklighting.com • info@bklighting.com

REVISION DATE
7-29-09

REFERENCE NUMBER
INS-1610

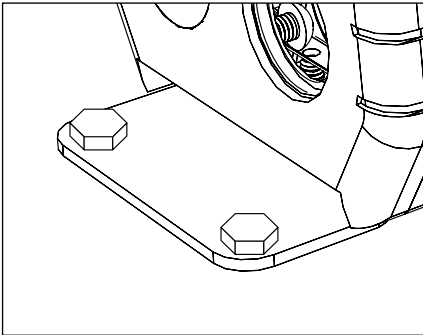
THIS DOCUMENT CONTAINS PROPRIETARY INFORMATION OF B-K LIGHTING, INC. AND ITS RECEIPT OR POSSESSION DOES NOT CONVEY ANY RIGHTS TO REPRODUCE, DISCLOSE ITS CONTENTS, OR TO MANUFACTURE, USE OR SELL ANYTHING IT MAY DESCRIBE. REPRODUCTION, DISCLOSURE OR USE WITHOUT SPECIFIC WRITTEN AUTHORIZATION OF B-K LIGHTING, INC. IS STRICTLY FORBIDDEN.



UNIVERSAL POWER MODULE
UPM

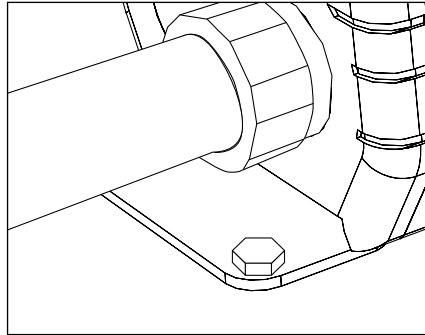
Surface Mount installation

PM2J SURFACE MOUNT



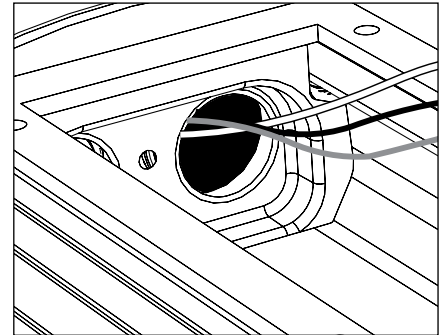
4. Attach the UPM housing at mounting brackets with 1/4" fasteners (by others). Use suitable mounting hardware for surface.

NOTE: Many methods exist to bolt to a flat surface. The fixture is provided with mounting brackets with 1/4" holes.

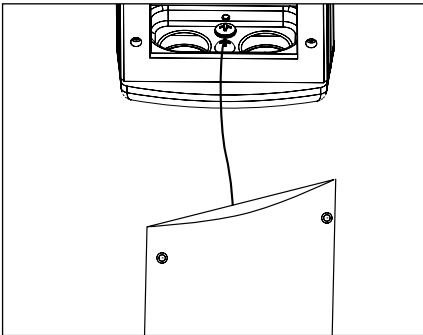


5. Connect 1/2" conduit connector through female threaded conduit entry.

⚠ NOTE: Surface conduit is a common entrance for water if not properly sealed. Seal connector threads and conduit with a suitable sealant (Teflon tape, adhesive, etc.). Sealing the conduit after knockouts are removed is required to maintain warranty.

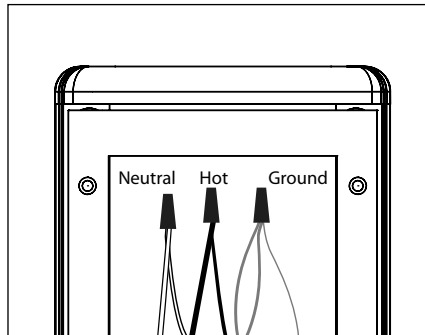


6. Pull branch circuit wiring necessary for installation (By Others.)

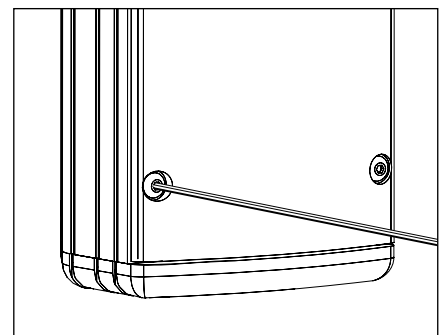


7. Attach tether wire under screw head at the base of the UPM housing and tighten. Slowly lower the faceplate until tether is taut.

⚠ NOTE: Faceplate tether supplied with UPM is designed as an installation aid and NOT a safety cable. Do not add weight to, or drop faceplate.



8. Use wire connectors (By Others) to connect branch circuit leads to lamp leads. Connect incoming ground and lamp ground to ground wire provided in UPM housing.



9. Make sure UPM body gasket is free of any dirt or debris. Attach the faceplate by tightening the (4) #6-32 captive screws evenly to 6-9 in/lbs using a 5/64" allen wrench.

**IMPORTANT SAFETY INFORMATION LISTED ON REVERSE
READ, FOLLOW, AND SAVE ALL SAFETY AND INSTALLATION INSTRUCTIONS**



ETL LISTED
CONFORMS TO ANSI/UL
STANDARD 1598
CERTIFIED TO CAN/CSA
STANDARD C22.2 NO. 250

B-K LIGHTING

40429 Brickyard Drive • Madera, CA 93636 • USA
559.438.5800 • FAX 559.438.5900
www.bklighting.com • info@bklighting.com

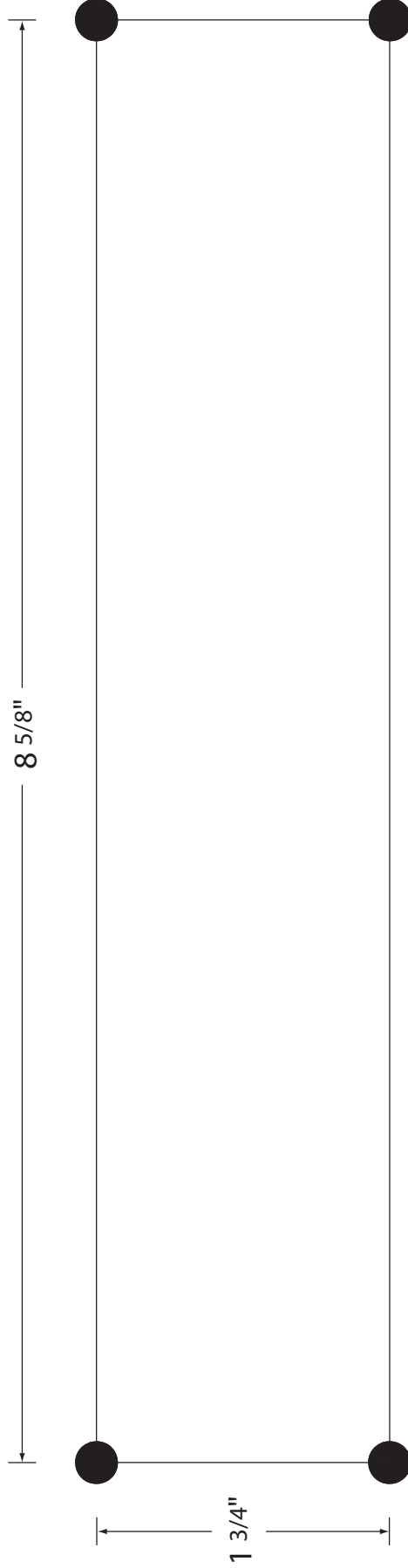
REVISION DATE
7-29-09

REFERENCE NUMBER
INS-1610



WARNING!

Template must print at proper scale.
Verify dimensions prior to use.



NOTES:

1. THE SMALL CIRCLES ARE THE LOCATION OF THE 1/4" FASTENERS (BY OTHERS) REQUIRED FOR FINISHED MOUNTING.

THIS DOCUMENT CONTAINS PROPRIETARY INFORMATION OF B-K LIGHTING AND ITS RECEIPT OR POSSESSION DOES NOT CONVEY ANY RIGHTS TO REPRODUCE, DISCLOSE ITS CONTENTS, OR TO MANUFACTURE, USE OR SELL ANYTHING IT MAY DESCRIBE. REPRODUCTION, DISCLOSURE OR USE WITHOUT SPECIFIC WRITTEN AUTHORIZATION OF B-K LIGHTING IS STRICTLY FORBIDDEN.

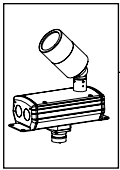


PM2 SURFACE TEMPLATE

B-K LIGHTING, INC.

12/22/06

DRAWING NUMBER
INS-1503



UNIVERSAL POWER MODULE
UPM

PM2J MONUMENT (POWER PIPE™)

Monument Mount installation (low voltage)



Warning



High Voltage



Hot Surface

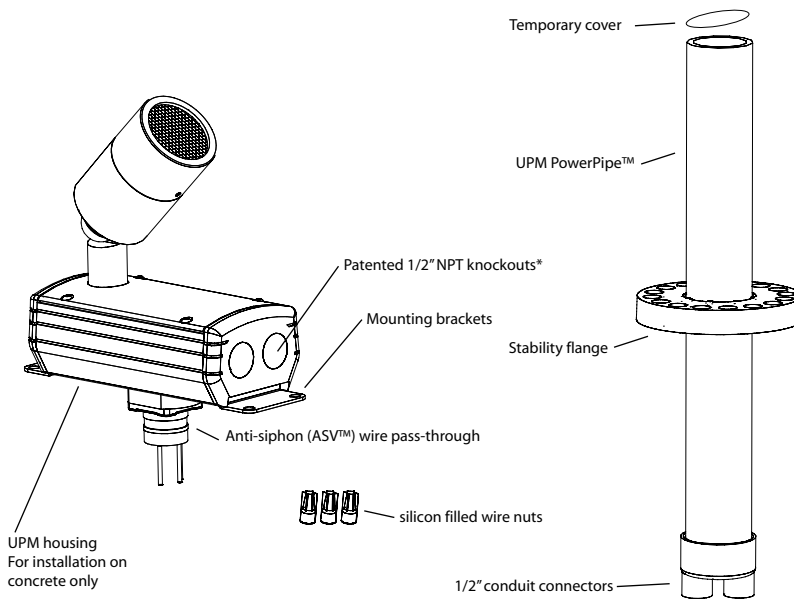
NEEDED
FOR
INSTALLATION:

- 5/32" and 5/64" allen wrench
- Mounting hardware
- 1/4" drill bit and drill

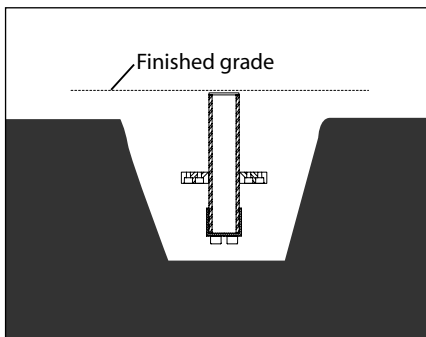
By Others

IMPORTANT SAFETY INFORMATION - READ, FOLLOW, AND SAVE ALL SAFETY AND INSTALLATION INSTRUCTIONS

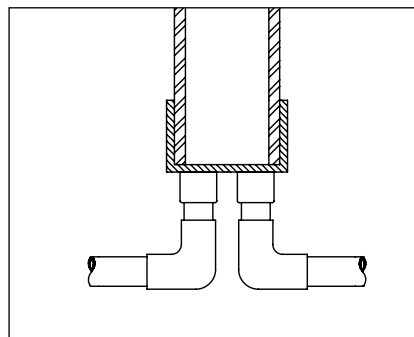
- Product must be installed by a qualified person in a manner consistent with its intended use and in compliance with the National Electrical Code, Canadian Electrical Code, and all Local and Provincial Codes.
- Follow product label information and instructions.
- Qualified Personnel must perform all servicing or relamping of this product.
- Before wiring to power supply and during servicing or relamping, turn off power at fuse or circuit breaker before service.
- The use of accessory equipment not recommended by the manufacturer or installed contrary to instructions may cause an unsafe condition. The use of damaged components may cause an unsafe condition and void product warranty.
- Do not block light emanating from product in whole or part, as this may cause an unsafe condition.
- Never operate the fixture with missing or damaged lens. Lens must be cleaned on regular basis.
- Energized lamp gets hot very quickly. Allow it to cool before service.
- Entire fixture may become extremely hot. Do not touch hot lens or fixture body. Do not touch the lamp at any time. Use a clean, dry, soft cloth to handle the lamp. Oil from skin may damage the lamp and cause it to rupture.
- Replace lamp only with correct wattage and type of lamp marked on fixture label.
- All gaskets, o-rings and sealing surfaces must be kept clean during installation and service; failure to do this may cause an unsafe condition and void product warranty.



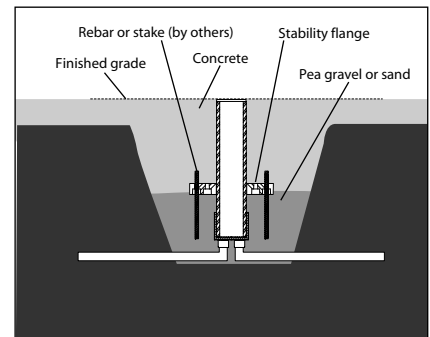
* UPM is covered in whole or in part by US patent #6,940,012



1. Excavate trench according to designed lighting plan. Dig hole a minimum of 24" deep and 10" wide to accommodate PowerPipe™ at desired fixture locations.



2. Connect conduit to the 1/2" conduit couplers attached to the bottom of the PowerPipe™. Place PowerPipe™ in hole.



3. Back fill with pea gravel or sand prior to pour.

NOTE: The PowerPipe™ must be flush with the final concrete surface. The trench and hole depth must be adjusted based on the final thickness of concrete.

Warning: UPM housing for installation onto concrete only. Installation of housing in direct contact with soil will void product warranty.

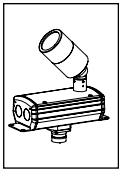
B-K LIGHTING

40429 Brickyard Drive • Madera, CA 93636 • USA
559.438.5800 • FAX 559.438.5900
www.bklighting.com • info@bklighting.com

REVISION DATE
7-29-09

REFERENCE NUMBER
INS-1613

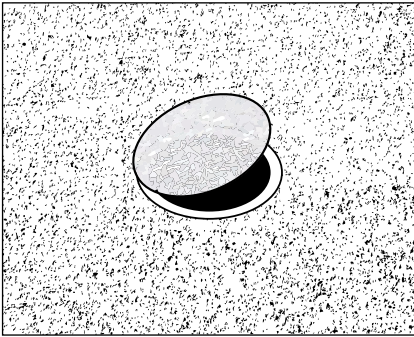
THIS DOCUMENT CONTAINS PROPRIETARY INFORMATION OF B-K LIGHTING, INC. AND ITS RECEIPT OR POSSESSION DOES NOT CONVEY ANY RIGHTS TO REPRODUCE, DISCLOSE ITS CONTENTS, OR TO MANUFACTURE, USE OR SELL ANYTHING IT MAY DESCRIBE. REPRODUCTION, DISCLOSURE OR USE WITHOUT SPECIFIC WRITTEN AUTHORIZATION OF B-K LIGHTING, INC. IS STRICTLY FORBIDDEN.



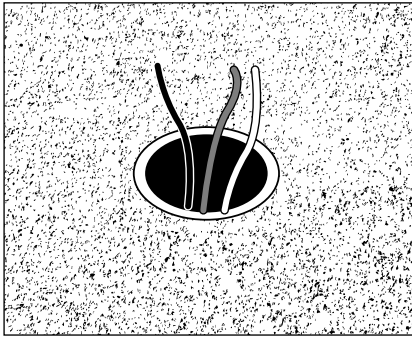
UNIVERSAL POWER MODULE
UPM

PM2J MONUMENT (POWER PIPE™)

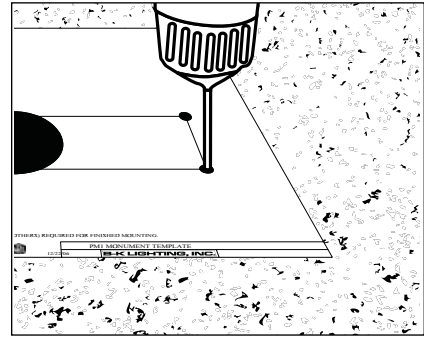
Monument Mount installation (low voltage)



4. Pour concrete (By Others).



6. Pull branch circuit wiring necessary for installation (By Others).



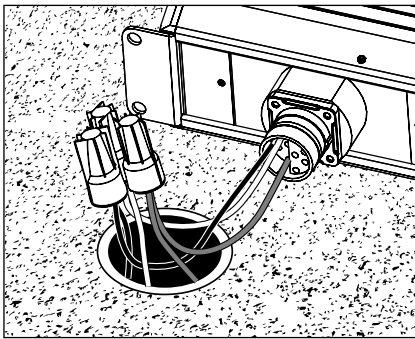
7. Place provided template in final mounting position according to designed lighting plan.

⚠ PowerPipe™ must be flush to finished grade!

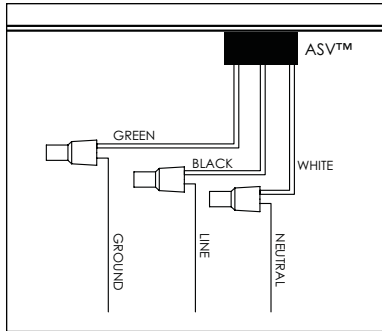
5. Once concrete has cured and fixture is ready to be installed, remove temporary cover if required and trim excess PowerPipe™ material above grade using a saw or file.

8. Align the large circle over the PowerPipe™. Drill holes into surface for 1/4" fasteners (By Others) on locations illustrated on template.

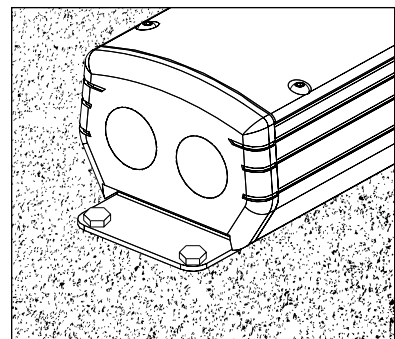
NOTE: Additional templates are available at <http://www.bklighting.com/templates>



9. Use silicone filled wire nuts provided to connect branch circuit wiring to the anti-siphon (ASV™) wire pass-through located on the bottom of the UPM housing. See wiring diagram.



Wiring diagram.



10. Anchor the UPM housing with mounting brackets provided using 1/4" fasteners (By Others).

**IMPORTANT SAFETY INFORMATION LISTED ON REVERSE
READ, FOLLOW, AND SAVE ALL SAFETY AND INSTALLATION INSTRUCTIONS**



ETL LISTED
CONFORMS TO ANSI/UL
STANDARD 1598
CERTIFIED TO CAN/CSA
STANDARD C22.2 NO. 250

B-K LIGHTING

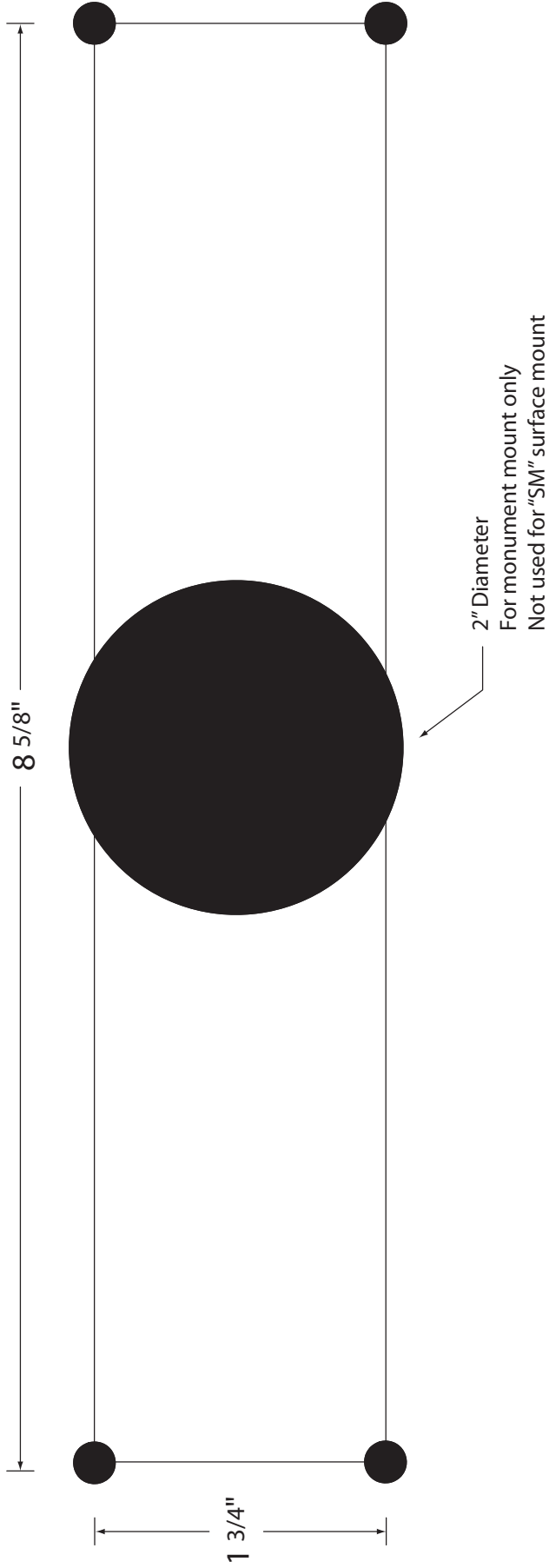
40429 Brickyard Drive • Madera, CA 93636 • USA
559.438.5800 • FAX 559.438.5900
www.bklighting.com • info@bklighting.com

REVISION DATE
7-29-09

REFERENCE NUMBER
INS-1613



WARNING!
Template must print at proper scale.
Verify dimensions prior to use.



NOTES:

1. ALIGN THE LARGE CIRCLE OVER THE POWER PIPE™. (FOR MONUMENT MOUNT ONLY)
2. THE SMALL CIRCLES ARE THE LOCATION OF THE 1/4" FASTENERS (BY OTHERS) REQUIRED FOR FINISHED MOUNTING.

THIS DOCUMENT CONTAINS PROPRIETARY INFORMATION OF B-K LIGHTING AND ITS RECEIPT OR POSSESSION DOES NOT CONVEY ANY RIGHTS TO REPRODUCE, DISCLOSE ITS CONTENTS, OR TO MANUFACTURE, USE OR SELL ANYTHING IT MAY DESCRIBE. REPRODUCTION, DISCLOSURE OR USE WITHOUT SPECIFIC WRITTEN AUTHORIZATION OF B-K LIGHTING IS STRICTLY FORBIDDEN.



PM2 MONUMENT TEMPLATE

12/22/06

B-K LIGHTING, INC.

DRAWING NUMBER
INS-1504