

DATE: _____ PROJECT: _____ TYPE: _____

CATALOG NUMBER LOGIC:



*Requires magnetic low voltage dimmer.

CATALOG NUMBER LOGIC

Example: SM - 3 - MN - LED - e68 - SP - BZW - 12 - 11 - C

MATERIAL

(Blank) - Aluminum B - Brass

SERIES

SM - Surface Downlight

STEM LENGTH

0"

3", 6", 12", 18", 24", 30", 36", 42", or 48" length

FIXTURE

MN - Micro Nite Star

SOURCE

LED - with Integral Dimming Driver (25W min. load when dimmed)*

LED TYPE

e67 - 7W LED/2700K e82 - 7W/2700K 90 CRI

e68 - 7W LED/3000K e83 - 7W/3000K 90 CRI

e69 - 7W LED/4000K e84 - 7W/3500K 80 CRI

e75 - 7W LED/Amber

OPTICS

SP - Spot (17°) MFL - Medium Flood (25°) FL - Flood (30°)

FINISH (See page 2 for full-color swatches)

Standard Finishes (BZP, BZW, BLP, BLW, WHP, WHW, SAP, VER)

Premium Finish (ABP, AMG, AQW, BCM, BGE, BPP, CAP, CMG, CRM, HUG, NBP, OCP, RMG, SDS, SMG, TXF, WCP, WIR)

Also available in RAL Finishes

Brass Finishes (MAC, POL, MIT)

LENS TYPE

12 - Soft Focus 13 - Rectilinear

SHIELDING

11 - Honeycomb Baffle

CAP STYLE

C - Flush

D - 45° Less Weephole

E - 90° Less Weephole

MOD OPTIONS (only available with 0" stem)

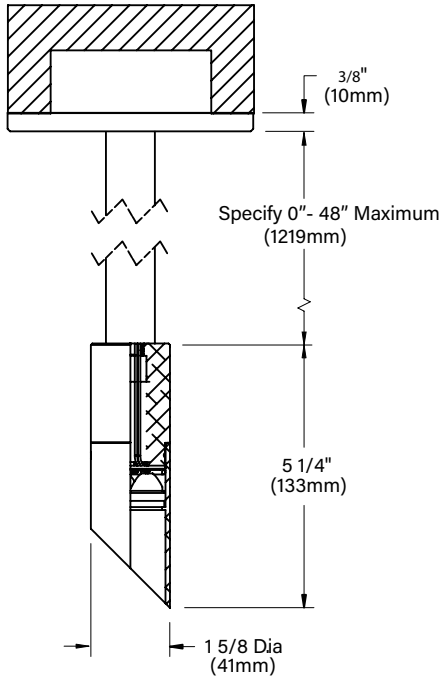
5 - 5 Ft Leads

25 - 25 Ft Leads

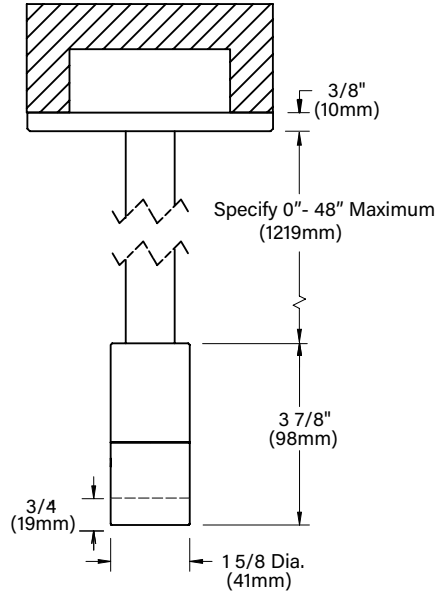
DATE:

PROJECT:

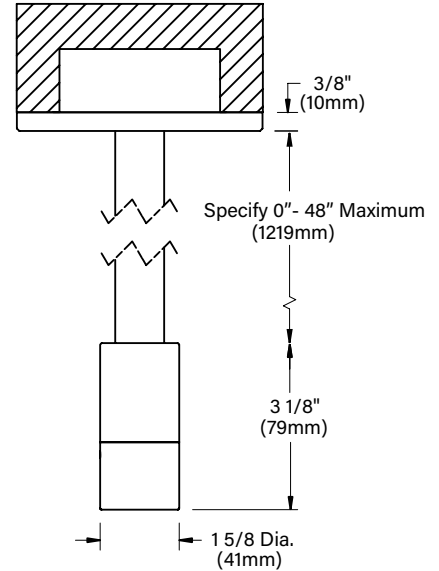
TYPE:



"D" CAP



"E" CAP

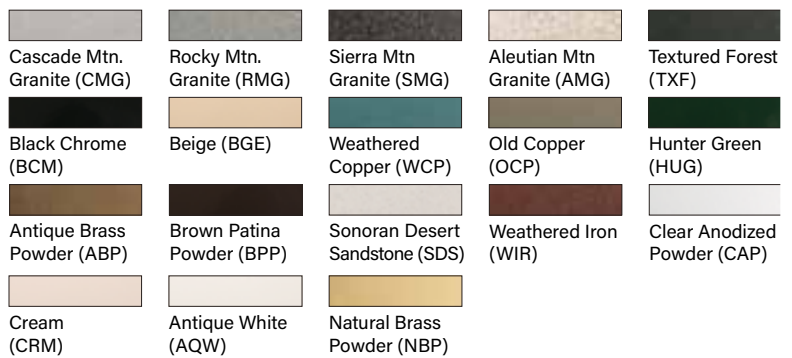


"C" CAP

STANDARD FINISHES



PREMIUM FINISHES



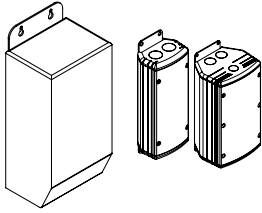
[Click Here](#) to view larger, full-color swatches of all available finishes on our website.

MICRO NITE STAR - SURFACE DOWNLIGHT LED

IP66 RATED

DATE:	PROJECT:	TYPE:
-------	----------	-------

ACCESSORIES (Configure separately)



TR Series

UPMRM

SPECIFICATIONS

ELECTRICAL	WATTAGE	7W LED
	WIRING	XLPE, 18GA,150C, 600V, rated and certified to UL3321.
	REMOTE TRANSFORMER	For use with 12VAC remote transformer or magnetic transformers only. B-K Lighting cannot guarantee performance with third party manufacturers' transformers.
PHYSICAL	MATERIALS	Furnished in copper-free aluminum (6061-T6) or brass (360).
	BODY	Unibody design with enclosed, water-proof wireway and integral heat sink is fully machined from solid billet.
	CAP	Fully machined and accommodates one (1) lens or louver media.
	LENS	Shock resistant, tempered-glass lens is factory adhered to faceplate and provides hermetically sealed optical compartment.
	STEM	Fully machined, 1" dia. with internal threads for maximum visual appeal. Available in configurable lengths to 48" maximum overall.
	LED	Integrated solid state system and modular design with electrical disconnects allow for easy field upgrade and maintenance. High power, forward throw source complies with ANSI C78.377 binning requirements and exceeds ENERGY STAR® lumen maintenance requirements. LM-80 certified components. Integral, constant current driver. 12VAC/VDC input. 50/60Hz. Proprietary input control scheme achieves power factor correction and eliminates inrush current (limited to <250mA non-dimming). Output, overvoltage, open-circuit, and short circuit protected. Conforms to Safety Std. C22.2 No. 250.13-12.
	DIMMING	Line voltage dimmable via magnetic low voltage dimmer with dedicated neutral conductor. Remote magnetic transformer with LED loads should be loaded to 25% of the transformer VA (watts) rated value.
	OPTICS	Interchangeable OPTIKIT modules permit optical field changes. Color-code: Spot (SP) = green; Medium Flood (MFL) = yellow; Flood (FL) = blue.
	INSTALLATION	5" dia., machined canopy with stainless steel universal mounting ring permits mounting to 4" octagonal junction box (by others).
	HARDWARE	Tamper-resistant, stainless steel hardware. Canopy mounting screws are black oxide treated for additional corrosion resistance.
	FINISH	StarGuard, our 15-stage chromate-free process cleans and conversion coats aluminum components prior to application of Class 'A' TGIC polyester powder coating and is RoHS compliant. Powder coat or metal finish options available for brass material.
WARRANTY	5-year limited warranty.	
CERTIFICATION & LISTING	ITL tested to IESNA LM-79. UL Listed. Certified to CAN/CSA/ANSI Standards. RoHS compliant. Suitable for indoor or outdoor use, in wet locations, and for installation within 4' of the ground. IP66 Rated. Made in the USA with sustainable processes.	



B-K LIGHTING

MADE IN THE USA

559.438.5800 | INFO@BKLIGHTING.COM | BKLIGHTING.COM