

DATE: _____ PROJECT: _____ TYPE: _____

CATALOG NUMBER LOGIC:



CATALOG NUMBER LOGIC

Example: B - HP2 - LED - RD - e65 - NSP - A9 - SAP - 12 - 11 - AH

MATERIAL

(Blank) - Aluminum B - Brass S - Stainless Steel

SERIES

HP2 - In-grade with Flush Mounted Faceplate

OptiLock®

LED - Integral Dimming Driver (25% min. load when dimmed)*

HOUSING

RD - Requires Remote LED Transformer (Deep Housing)

LED TYPE

e64 - 7W LED/2700K	e79 - 7W LED/2700K 90CRI
e65 - 7W LED/3000K	e80 - 7W LED/3000K 90CRI
e66 - 7W LED/4000K	e81 - 7W LED/3500K 80CRI
e74 - 7W LED/Amber	

OPTICS

NSP - Narrow Spot (13°)	MFL - Medium Flood (23°)
SP - Spot (16°)	WFL - Wide Flood (31°)

ADJUST-E-LUME OUTPUT INTENSITY**

A9 (Standard), A8, A7, A6, A5, A4, A3, A2, A1

FINISH (See page 2 for full-color swatches)

Standard Finishes (BZP, BZW, BLP, BLW, WHP, WHW, SAP, VER)

Premium Finish (ABP, AMG, AQW, BCM, BGE, BPP, CAP, CMG, CRM, HUG, NBP, OCP, RMG, SDS, SMG, TXF, WCP, WIR)

Also available in RAL Finishes

Brass Finishes (MAC, POL, MIT)

Stainless Steel Finishes (MAC, POL)

LENS TYPE

12 - Soft Focus	13 - Rectilinear
-----------------	------------------

ACCESSORY

11 - Honeycomb Baffle

OPTIONS

AH - Accessory Holder

TC - Traction Control Lens

GM-R - Round Grout Mask

GM-S - Square Grout Mask

GS - Glare Shield***

HD - Half Dome***

RG - Rock Guard***

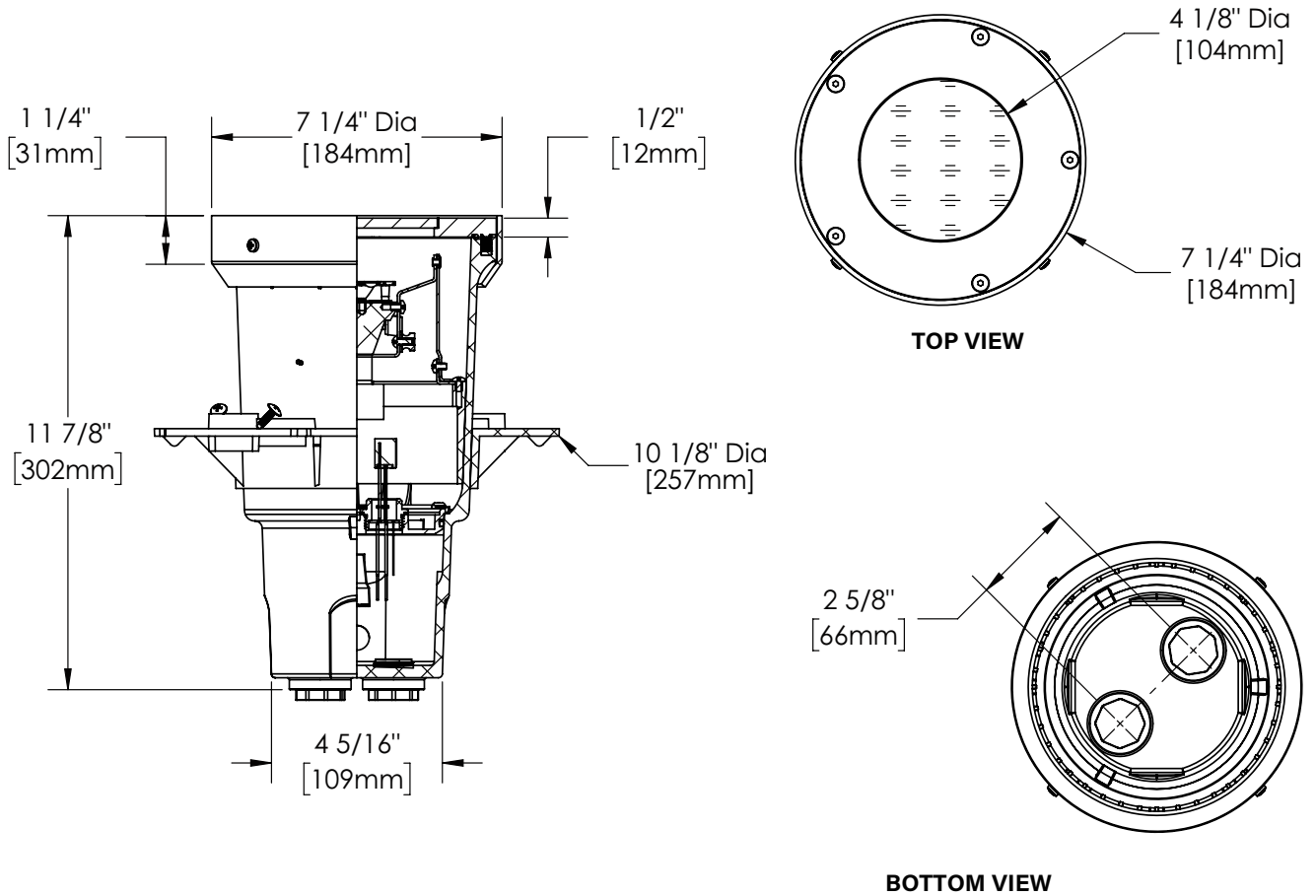
RO - Rock Guard with Optical Opening***

*Designed for use with LED transformer.

**Please see Adjust-e-Lume photometry to determine desired intensity.

***Aluminum only.

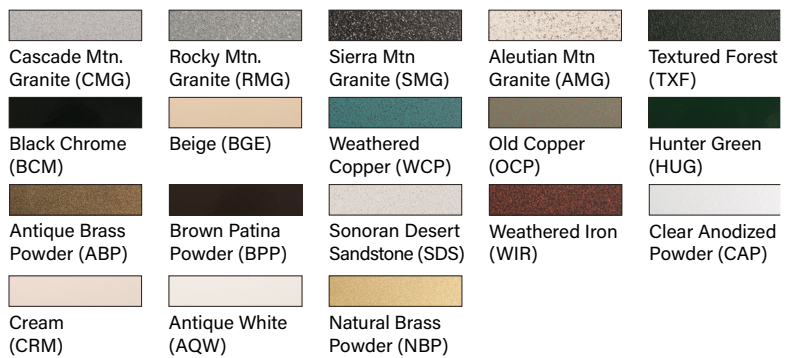
DATE: _____ PROJECT: _____ TYPE: _____



STANDARD FINISHES



PREMIUM FINISHES



[Click Here](#) to view larger, full-color swatches of all available finishes on our website.

DATE:	PROJECT:	TYPE:
-------	----------	-------

ACCESSORIES (Configure separately)

SPECIFICATIONS

ELECTRICAL	WATTAGE	7W LED
	ADJUST-E-LUME	Integral electronics allow for dynamic lumen response at the individual fixture. Indexed (100% to 25% nom.) lumen output. Maintains output at desired level or may be changed. Specify factory preset output intensity.
	WIRING / CONNECTORS	XLPE coated wire, 18 gauge, 300V, 125°C rated and certified to UL3265 standard. Features OptiLock® and gear tray quick disconnects. Patented HydroLock® with three (3) Water-Tight connectors supplied for incoming connection. Maximum (2) #10 & (1) #18. Minimum (1) #12 & (1) #18.
	REMOTE TRANSFORMER	For use with 12VAC remote magnetic transformers only. B-K Lighting cannot guarantee performance with third party manufacturers’ transformers.
PHYSICAL	FIXTURE HOUSING	Corrosion-free, high strength, flame retardant and UV stabilized, injected molded polycarbonate. Two (2) bottom-entry, 3/4” NPT female conduit entries with knockout plugs and four (4) side flats for 1/2” or 3/4” conduit adapters.
	PATENTED STABILITY FLANGE	Corrosion-free composite flange projects into installation substrate to reinforce housing stability. Integral REBAR saddles simplify installation into concrete form. Four (4) orthogonal bosses permit use of 1/2” PCV conduit or EMT to simplify vertical position and leveling of housing. Preset self-tapping screws anchor housing at proper elevation.
	AIMING	Dual axis OptiLock® stainless steel aiming bracket rotates 360° and provides vertical adjustment up to 35° from nadir. Positive lock action eliminates need for adjustment.
	LED	Integrated solid state system and modular design with electrical quick disconnects permit field upgrade and maintenance. LM-80 certified. Minimum 50,000 hour rated life at 70% of initial lumens (L70). LEDR technology provides long life, significant energy reduction and exceptional thermal management.
	DIMMING	Line voltage dimmable via magnetic low voltage dimmer with dedicated neutral conductor. For purposes of dimming: Remote magnetic transformer with LED loads should be loaded to 25% of the transformer VA (watts) rated value.
	OPTICS	Interchangeable, color-coded OPTIKIT modules permit field changes to optical distribution.
	INSTALLATION	Integral, copper-free aluminum concrete pour collar (CPC) in black finish permits direct burial in soil or concrete. Consult Drainage Installation Guide for In-Grade Fixtures (DIG-IT) for compliance with proper soil preparation and drainage requirements prior to installation.
	WATER MANAGEMENT	High temperature silicone ‘O’ Ring at faceplate. HydroLock® technology provides fail-safe water barrier between junction box and interior components. IP68 rated.
	LENS	High heat, Shock-resistant, 1/4” Tempered Soda Lime glass lens.
	FACEPLATE	Options include solid, 1/2” machined 6061T6 aluminum, brass or stainless steel with five (5) black oxide, captive, stainless steel mounting screws.
	FINISH	StarGuard, our 15-stage chromate-free process cleans and conversion coats aluminum components prior to application of Class ‘A’ TGIC polyester powder coating and is RoHS compliant.
WARRANTY	5-year limited warranty.	
CERTIFICATION & LISTING	UL Listed. Certified to CAN/CSA/ANSI Standards. IP68 Rated. Made in the USA with sustainable processes.	



LAMP & DRIVER DATA (e64, e65, e66, e74)

DATE: _____ PROJECT: _____ TYPE: _____

DRIVER DATA	Input Volts	InRush Current	Operating	Dimmable	Operation Ambient Temperature
	12VAC/DC 50/60Hz	<250mA (non-dimmed)	700mA	Magnetic Low Voltage Dimmer	-22°F-194°F (-30°C - 90°C)

LM79 DATA				L70 DATA		OPTICAL DATA			
BK No.	CCT (Typ.)	CRI (Typ.)	Input Watts (Typ.)	Minimum Rated Life (hrs.) 70% of initial lumens (L ₇₀)		Angle	CBCP	Delivered Lumens	Multiplier
e64	2700K	80	7	50,000		13°	5993	456	0.87
	2700K	80	7	50,000		16°	4546	445	0.87
	2700K	80	7	50,000		23°	1726	397	0.87
	2700K	80	7	50,000		31°	1131	399	0.87
e65	3000K	80	7	50,000		13°	6131	466	0.89
	3000K	80	7	50,000		16°	4650	455	0.89
	3000K	80	7	50,000		23	1766	406	0.89
	3000K	80	7	50,000		31°	1157	409	0.89
e66	4000K	80	7	50,000		13°	6889	524	
	4000K	80	7	50,000		16°	5225	511	
	4000K	80	7	50,000		23°	1984	456	
	4000K	80	7	50,000		31°	1300	459	
e74	Amber	80	7	50,000		13°	3,927	299	0.57
	Amber	80	7	50,000		16°	2,978	291	0.57
	Amber	80	7	50,000		23°	1,131	260	0.57
	Amber	80	7	50,000		31°	741	262	0.57

OPTICS

Optic	Angle
NSP - Narrow Spot	13°
SP - Spot	16°
MFL - Medium Flood	23°
WFL - Wide Flood	31°

B-K LIGHTING

MADE IN THE USA

559.438.5800 | INFO@BKLIGHTING.COM | BKLIGHTING.COM

THIS DOCUMENT CONTAINS PROPRIETARY INFORMATION OF B-K LIGHTING, INC. AND ITS RECEIPT OR POSSESSION DOES NOT CONVEY ANY RIGHTS TO REPRODUCE, DISCLOSE ITS CONTENTS, OR TO MANUFACTURE, USE OR SELL ANYTHING IT MAY DESCRIBE. REPRODUCTION, DISCLOSURE OR USE WITHOUT SPECIFIC WRITTEN AUTHORIZATION OF B-K LIGHTING, INC. IS STRICTLY FORBIDDEN.