

DATE: PROJECT: TYPE:

CATALOG NUMBER LOGIC:



\*Accommodates up to 2 lens/shielding media.

\*\*120V only.

**CATALOG NUMBER LOGIC**

Example: DE - LED - TR - x98 - SP - BZW - 9 - 11 - A - NON - 120 - 25

**MATERIAL**

Aluminum

**SERIES**

DE - Denali

**SOURCE**

LED - Chip on Board (COB) Technology

**HOUSING**

TR - Integral Driver

**LED TYPE**

x98 - 13W/2700K/80CRI	x101 - 13W/2700K/90CRI	✓
x99 - 13W/3000K/80CRI	x102 - 13W/3000K/90CRI	✓
x103 - 13W/3500K/80CRI	x104 - 13W/3500K/90CRI	✓
x100 - 13W/4000K/80CRI	x121 - 13W/4000K/90CRI	✓
x122 - 21W/2700K/80CRI	x126 - 21W/2700K/90CRI	✓
x123 - 21W/3000K/80CRI	x127 - 21W/3000K/90CRI	✓
x124 - 21W/3500K/80CRI	x128 - 21W/3500K/90CRI	✓
x125 - 21W/4000K/80CRI	x129 - 21W/4000K/90CRI	✓

**OPTICS**

SP - Spot (17°)    FL - Flood (45°)    WFL - Wide Flood (55°)

**FINISH (See page 3 for full-color swatches)**

Standard Finishes (BZP, BZW, BLP, BLW, WHP, WHW, SAP, VER)

Premium Finish (ABP, AMG, AQW, BCM, BGE, BPP, CAP, CMG, CRM, HUG, NBP, OCP, RMG, SDS, SMG, TXF, WCP, WIR)

Also available in RAL Finishes

**LENS TYPE\***

9 - Clear (Standard)

12 - Soft Focus    13 - Rectilinear

**SHIELDING\***

11 - Honeycomb Baffle

**CAP STYLE**

A - 45°

B - 90°

C - Flush

D - 45° Less Weephole (Downward Aiming Only)

E - 90° Less Weephole (Downward Aiming Only)

**CONTROLS**

NON - Non Dimming

ELV - Dimming Driver (For use with Electronic Low Voltage Dimmer)\*\*

INC - Dimming Driver (For use with incandescent dimmer)\*\*

010 - 0-10V Dimming Driver (Dimming ≤3-100%)

**INPUT VOLTAGE**

120 - 120 VAC

277 - 277 VAC



**TITLE 24, JA8 COMPLIANT**

DATE:

PROJECT:

TYPE:

CATALOG NUMBER LOGIC:

**MOD OPTIONS**

5 - 5 Ft Leads

25 - 25 Ft Leads



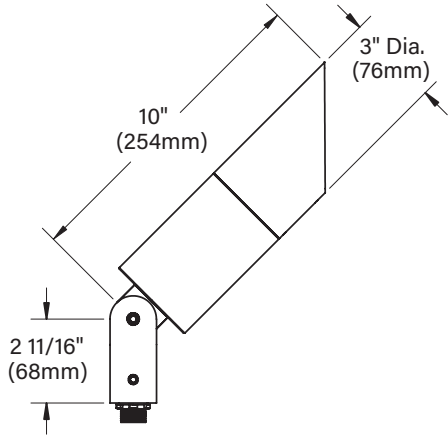
*\*Accommodates up to 2 lens/shielding media.*

*\*\*120V only.*

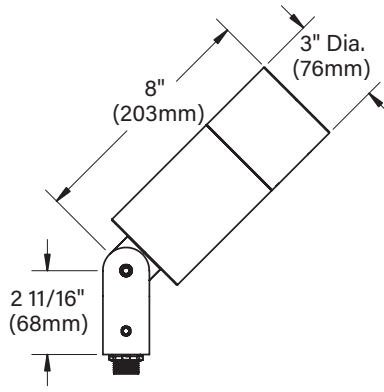


**TITLE 24, JA8 COMPLIANT**

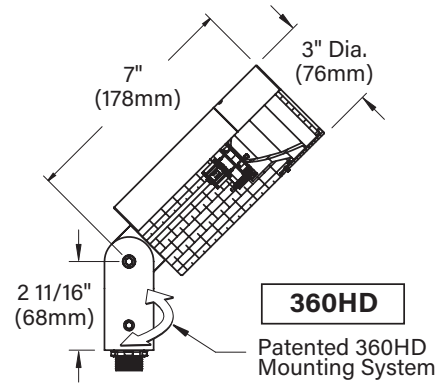
DATE: \_\_\_\_\_ PROJECT: \_\_\_\_\_ TYPE: \_\_\_\_\_



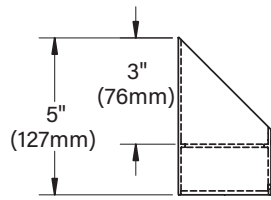
"A/D" CAP



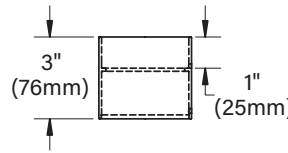
"B/E" CAP



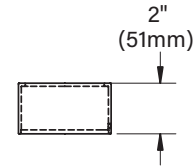
"C" CAP



"A"/'D" CAP



"B"/'E" CAP

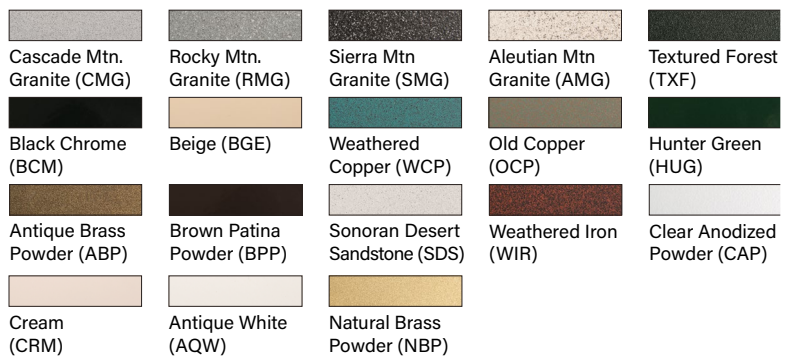


"C" CAP

**STANDARD FINISHES**



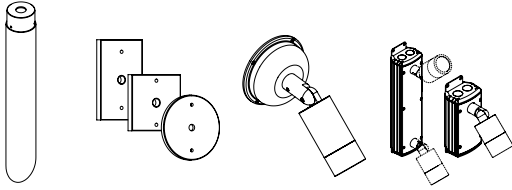
**PREMIUM FINISHES**



[Click Here](#) to view larger, full-color swatches of all available finishes on our website.

DATE: \_\_\_\_\_ PROJECT: \_\_\_\_\_ TYPE: \_\_\_\_\_

ACCESSORIES (Configure separately)



Power Pipe      Canopies      Power Canopy      PM2DJ & PM2J

SPECIFICATIONS

<p><b>ELECTRICAL</b></p>	<p>WATTAGE LED COLOR MANAGEMENT WIRING DRIVER</p>	<p>13W or 21W LED</p> <p>COB technology and modular design with electrical quick disconnects allow for easy field upgrade and maintenance. LM-80 certified. Title 24, JA8 compliant options available. Minimum 50,000 hour rated life at 70% of initial lumens (L70).</p> <p>COB technology delivers natural white light. Exact color point conformity exceeds ANSI C78.377 standard. Module exceeds 80 CRI (RA&gt;80, R9.16). Color point uniformity 2 SDCM color control for 2700K-4000K CCT.</p> <p>INC/ELV Wiring: 3 Wire, 18GA, Stranded, XLPE, 125°C, 300V, UL3265 rated wire 0-10 Wiring: 5 Wire, (3) 18GA and (2) 22GA, Stranded, XLPE, 125°C, 300V, UL3265 rated wire</p> <p>Incandescent/ELV Control Option Driver: Dimming driver for use with standard incandescent or electronic low voltage dimmers (10-100% range), 120VAC only. 0-10 Control Option Driver: Dimming driver for use with standard 0-10V dimmers (≤3-100% dim. range), 120-277VAC. With [1] 440mA (13W) / 700mA (21W). 50/60Hz. &gt;0.9 Power Factor, (INC/ELV)10.0A/(0-10) &lt;250mA in-rush current, .20%THD (nominal at 120VAC full load). Output over-voltage, overcurrent, and short circuit protection with auto recovery. Class 2 power supply; FCC47CFR Part 15 Compliant Class B (120VAC)/Class A (277VAC).</p>
<p><b>PHYSICAL</b></p>	<p>MATERIALS BODY KNUCKLE CAP LENS HARDWARE OPTICS FINISH WARRANTY CERTIFICATION &amp; LISTING</p>	<p>Furnished in copper-free aluminum (6061-T6).</p> <p>Unibody design with enclosed, water-proof wireway and integral heat sink is fully machined from solid billet. Anti-condensation and corrosion vent equalizes fixture pressure and eliminates potential for damage to internal components.</p> <p>360HD Mounting System features a mechanical taperlock, allowing full 180° vertical adjustment without the use of aim-limiting serrated teeth. High temperature, silicone 'O' Ring provides water-tight seal and compressive resistance to maintain fixture position. Design withstands 73 lbs. static load prior to movement for optical alignment with a ½" pipe thread for mounting. Biaxial source control additionally provides 360° horizontal rotation in addition to vertical adjustment. Aim &amp; Lock technology allows precision adjustment without the redundant tightening and loosening of knuckle screw.</p> <p>Fully machined and accommodates two (2) lens or louver media.</p> <p>Shock-resistant, tempered glass lens is factory adhered to fixture cap and provides hermetically sealed optical compartment.</p> <p>Tamper-resistant, stainless steel hardware. 360HD hardware is black oxide treated for additional corrosion resistance.</p> <p>Interchangeable optics permit changes in the field.</p> <p>StarGuard, our 15-stage chromate-free process, cleans and conversion coats aluminum components prior to application of Class 'A' TGIC polyester powder coating and is RoHS compliant.</p> <p>5-year limited warranty.</p> <p>UL tested to IESNA LM-79. UL Listed. Certified to CAN/CSA/ANSI Standards. RoHS compliant components. Suitable for indoor or outdoor use, in wet locations, and for installation within 4' of the ground. IP66 Rated. Made in the USA with sustainable processes.</p>



# LAMP & DRIVER DATA (page 1 of 2)

DATE: \_\_\_\_\_ PROJECT: \_\_\_\_\_ TYPE: \_\_\_\_\_

## DRIVER ELECTRICAL DATA

Type	AC Input Range	Frequency Hz	Power Factor At Full Load (Efficiency)	THD	InRush Current	Operating Current	Operation Ambient Temperature	Dimmer Type	Dimmer Range
Integral	120VAC	50/60	> 0.9	20%	10A	440mA (13W)/700mA (21W)	-30° C ~ 70°C	TRIAC/ELV	1-100%
Integral	105-300VAC	50/60	> 0.9	20%	<250mA	440mA (13W)/700mA (21W)	-30° C ~ 90°C	0-10	≤3-100%

### LM79 DATA

### OPTICAL DATA

BK No.	CCT (Typ.)	CRI (Typ.)	Input Watts (Typ.)	L70 Data	Angle	CBCP	Total Del. Lumens	Muliplier
x98	2700	80	13	50,000	17	6480	829	0.92
	<b>2700</b>	<b>80</b>	<b>13</b>	<b>50,000</b>	<b>45</b>	<b>1773</b>	<b>1041</b>	<b>0.92</b>
x99	2700	80	13	50,000	55	1478	1180	0.92
	3000	80	13	50,000	17	6796	869	0.96
	<b>3000</b>	<b>80</b>	<b>13</b>	<b>50,000</b>	<b>45</b>	<b>1860</b>	<b>1091</b>	<b>0.96</b>
x103	3000	80	13	50,000	55	1550	1237	0.96
	3500	80	13	50,000	17	6685	855	0.95
	<b>3500</b>	<b>80</b>	<b>13</b>	<b>50,000</b>	<b>45</b>	<b>1829</b>	<b>1074</b>	<b>0.95</b>
x100	3500	80	13	50,000	55	1525	1217	0.95
	4000	80	13	50,000	17	7059	903	1.00
	<b>4000</b>	<b>80</b>	<b>13</b>	<b>50,000</b>	<b>45</b>	<b>1931</b>	<b>1134</b>	<b>1.00</b>
x101	4000	80	13	50,000	55	1610	1285	1.00
	2700	90	13	50,000	17	4486	574	0.69
	<b>2700</b>	<b>90</b>	<b>13</b>	<b>50,000</b>	<b>45</b>	<b>1228</b>	<b>720</b>	<b>0.69</b>
x102	2700	90	13	50,000	53	1023	817	0.69
	3000	90	13	50,000	17	4936	631	0.73
	<b>3000</b>	<b>90</b>	<b>13</b>	<b>50,000</b>	<b>45</b>	<b>1350</b>	<b>793</b>	<b>0.73</b>
x104	3000	90	13	50,000	55	1126	899	0.73
	3500	90	13	50,000	17	4775	611	0.71
	<b>3500</b>	<b>90</b>	<b>13</b>	<b>50,000</b>	<b>45</b>	<b>1307</b>	<b>767</b>	<b>0.71</b>
x121	3500	90	13	50,000	55	1089	869	0.71
	4000	90	13	50,000	17	5324	681	0.75
	<b>4000</b>	<b>90</b>	<b>13</b>	<b>50,000</b>	<b>45</b>	<b>1457</b>	<b>855</b>	<b>0.75</b>
x122	4000	90	13	50,000	55	1214	969	0.75
	2700	80	21	50,000	17	9040	1208	0.87
	<b>2700</b>	<b>80</b>	<b>21</b>	<b>50,000</b>	<b>47</b>	<b>2437</b>	<b>1359</b>	<b>0.87</b>
x123	2700	80	21	50,000	55	1876	1416	0.87
	3000	80	21	50,000	17	10030	1341	0.96
	<b>3000</b>	<b>80</b>	<b>21</b>	<b>50,000</b>	<b>45</b>	<b>2704</b>	<b>1508</b>	<b>0.96</b>
x124	3000	80	21	50,000	55	2082	1571	0.96
	3500	80	21	50,000	17	8496	1136	0.81
	<b>3500</b>	<b>80</b>	<b>21</b>	<b>50,000</b>	<b>45</b>	<b>2290</b>	<b>1277</b>	<b>0.81</b>
x125	3500	80	21	50,000	55	1763	1331	0.81
	4000	80	21	50,000	17	10431	1394	1.00
	<b>4000</b>	<b>80</b>	<b>21</b>	<b>50,000</b>	<b>45</b>	<b>2812</b>	<b>1568</b>	<b>1.00</b>
	4000	80	21	50,000	55	2165	1634	1.00

**B-K LIGHTING**

**MADE IN THE USA**

559.438.5800 | INFO@BKLIGHTING.COM | BKLIGHTING.COM

THIS DOCUMENT CONTAINS PROPRIETARY INFORMATION OF B-K LIGHTING, INC. AND ITS RECEIPT OR POSSESSION DOES NOT CONVEY ANY RIGHTS TO REPRODUCE, DISCLOSE ITS CONTENTS, OR TO MANUFACTURE, USE OR SELL ANYTHING IT MAY DESCRIBE. REPRODUCTION, DISCLOSURE OR USE WITHOUT SPECIFIC WRITTEN AUTHORIZATION OF B-K LIGHTING, INC. IS STRICTLY FORBIDDEN.

# LAMP & DRIVER DATA (page 2 of 2)

DATE: \_\_\_\_\_ PROJECT: \_\_\_\_\_ TYPE: \_\_\_\_\_

LM79 DATA				OPTICAL DATA				
BK No.	CCT (Typ.)	CRI (Typ.)	Input Watts (Typ.)	L70 Data	Angle	CBCP	Total Del. Lumens	Muliplier
x126	2700	90	21	50,000	17	6120	818	0.68
	<b>2700</b>	<b>90</b>	<b>21</b>	<b>50,000</b>	<b>45</b>	<b>1650</b>	<b>920</b>	<b>0.68</b>
	2700	90	21	50,000	55	1270	959	0.68
x127	3000	90	21	50,000	17	7535	1007	0.75
	<b>3000</b>	<b>90</b>	<b>21</b>	<b>50,000</b>	<b>45</b>	<b>2031</b>	<b>1133</b>	<b>0.75</b>
	3000	90	21	50,000	55	1564	1180	0.75
x128	3500	90	21	50,000	17	5406	723	0.64
	<b>3500</b>	<b>90</b>	<b>21</b>	<b>50,000</b>	<b>45</b>	<b>1457</b>	<b>813</b>	<b>0.64</b>
	3500	90	21	50,000	55	1225	847	0.64
x129	4000	90	21	50,000	17	8148	1089	0.78
	<b>4000</b>	<b>90</b>	<b>21</b>	<b>50,000</b>	<b>45</b>	<b>2196</b>	<b>1225</b>	<b>0.78</b>
	4000	90	21	50,000	55	1691	1277	0.78

OPTICS	
Optic	Angle
Spot w/ 13 Accy	16 x 55
Spot	17°
Flood	45°
Wide Flood	55°