

DATE: _____ PROJECT: _____ TYPE: _____

CATALOG NUMBER LOGIC:



**36" maximum stem length with Power Canopy option.*

***Designed for use with 12 VAC. LED transformer. Requires magnetic low voltage dimmer.*

CATALOG NUMBER LOGIC

Example: ST - 24 - F - MN - LED - e68 - MFL - BLP - 12 - 11 - C - PC-TRe20

MATERIAL

Aluminum

SERIES

ST - Twin Sign Star

STEM LENGTH

18" (Standard), 24", 30", 36", *42", or *48"

STYLE

F - 45° Radius

FIXTURE

MN - Micro Nite Star

SOURCE

LED - with Integral Dimming Driver**

LED TYPE

e67 - 7W LED/2700K	e82 - 7W/2700K 90 CRI
e68 - 7W LED/3000K	e83 - 7W/3000K 90 CRI
e69 - 7W LED/4000K	e84 - 7W/3500K 80 CRI
e75 - 7W LED/Amber	

OPTICS

SP - Spot (17°) MFL - Medium Flood (25°) FL - Flood (30°)

FINISH (See page 2 for full-color swatches)

Standard Finishes (BZP, BZW, BLP, BLW, WHP, WHW, SAP, VER)

Premium Finish (ABP, AMG, AQW, BCM, BGE, BPP, CAP, CMG, CRM, HUG, NBP, OCP, RMG, SDS, SMG, TXF, WCP, WIR)

(Also available in RAL Finishes. See submittal SUB-1439-00)

LENS TYPE

12 - Soft Focus 13 - Rectilinear

SHIELDING

11 - Honeycomb Baffle

CAP STYLE

- A - 45°
- B - 90°
- C - Flush
- D - 45° Less Weephole (Interior use only)
- E - 90° Less Weephole (Interior use only)

OPTIONS

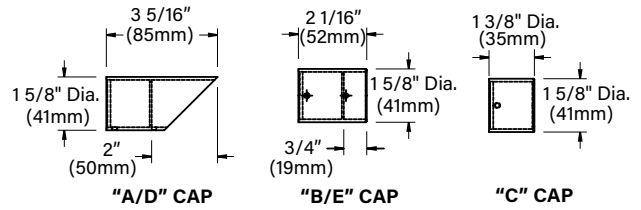
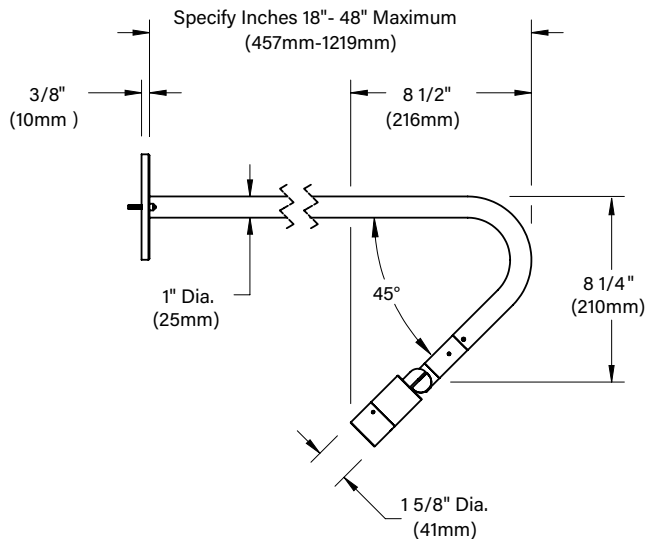
- PC-TRe20 - Power Canopy with TRe20 Electronic Transformer (105-300 VAC. 50/60 Hz. non-dimming)*
- UPM - Universal Power Module

MOD OPTIONS

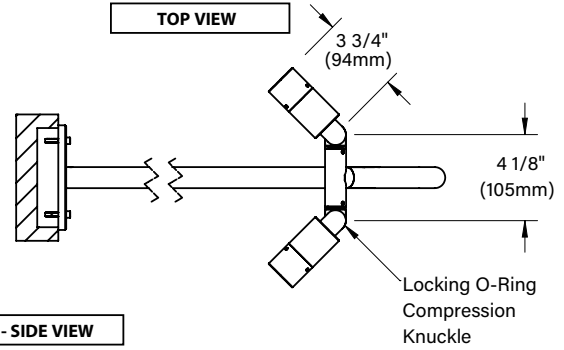
- 5 - 5 Ft Leads
- 25 - 25 Ft Leads

DATE: _____ PROJECT: _____ TYPE: _____

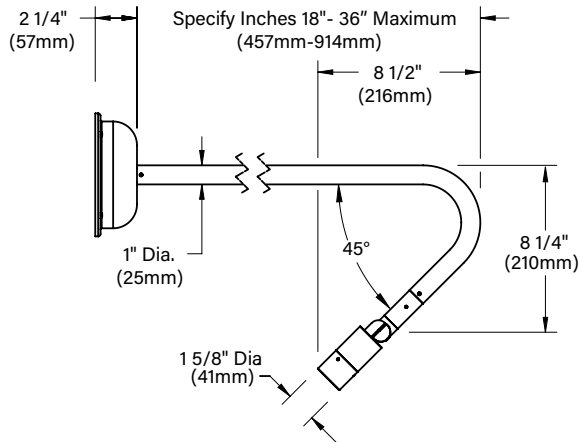
CANOPY - SIDE VIEW



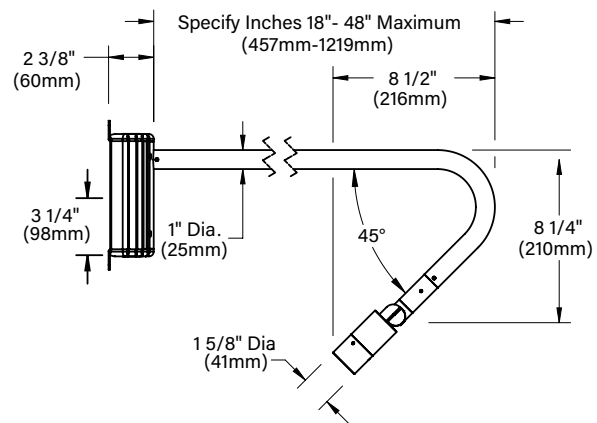
TOP VIEW



PC - SIDE VIEW



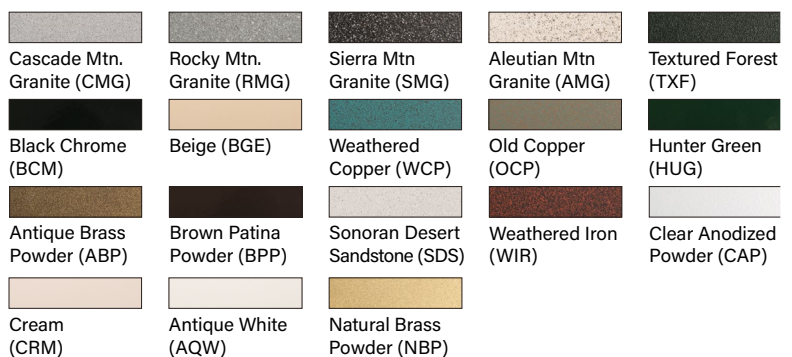
PC - SIDE VIEW



STANDARD FINISHES



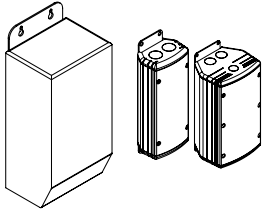
PREMIUM FINISHES



[Click Here](#) to view larger, full-color swatches of all available finishes on our website.

DATE: _____ PROJECT: _____ TYPE: _____

ACCESSORIES (Configure separately)



TR Series

UPMRM

SPECIFICATIONS

ELECTRICAL	WATTAGE WIRING REMOTE TRANSFORMER	7W LED PVC coated, 18AWG, 150V, 60°C rated and certified to UL 1838 standard. For use with 12VAC remote transformer or magnetic transformers only. B-K Lighting cannot guarantee performance with third party manufacturers' transformers.
PHYSICAL	MATERIALS STYLE BODY KNUCKLE CAP STEM LENS LED DIMMING OPTICS INSTALLATION HARDWARE FINISH WARRANTY CERTIFICATION & LISTING	Furnished in copper-free aluminum (6061-T6). F style features single bend, 45° radius from fixture to stem. Machined T adaptor enables independent fixture adjustment from a single mounting position. Unibody design is fully machined from solid billet and provides enclosed, water-proof wireway and integral heat sink for maximum component life. Integral knuckle for maximum mechanical strength. High temperature, silicone 'O' Ring provides water-tight seal. Standard 360SL provides biaxial source control with 360° horizontal rotation in addition to vertical adjustment. LOCK Knuckle is integral to the body and features an interior taper machined from solid billet and a second, reverse angle taper allowing full 180° vertical adjustment without the use of aim-limiting serrated teeth. High temperature, silicone 'O' Ring provides water-tight seal and compressive resistance to maintain fixture position. Design withstands 73 lbs. static load prior to movement for optical alignment with a ½" pipe thread for mounting. Fully machined and accommodates one (1) lens or louver media. Fully machined, 1" dia. with internal threads for maximum visual appeal. Available in configurable lengths to 48" maximum. Shock-resistant, tempered glass lens is factory adhered to fixture cap and provides hermetically sealed optical compartment. Integrated solid state system. High power, forward throw source complies with ANSI C78.377 binning requirements. Exceeds ENERGY STAR® lumen maintenance requirements. LM-80 certified components. Integral non-dimming driver. Minimum 50,000 hour rated life at 70% of initial lumens (L70). LED technology provides long life, significant energy reduction and exceptional thermal management. Line voltage dimmable via magnetic low voltage dimmer with dedicated neutral conductor. For purposes of dimming: Remote magnetic transformer with LED loads should be loaded to 25% of the transformer VA (watts) rated value. Interchangeable, color-coded OPTIKIT modules permit field changes to optical distribution. 5" dia., machined canopy permits mounting to 4" octagonal junction box. Junction box installation must be designed to hold full fulcrum weight of fixture (junction box and gasket by others). Tamper-resistant, stainless steel hardware. LOCK aiming screw and canopy mounting screws are black oxide treated for additional corrosion resistance. StarGuard, our 15-stage chromate-free process cleans and conversion coats aluminum components prior to application of Class 'A' TGIC polyester powder coating and is RoHS compliant. Powder coat or metal finish options available for brass material and metal finish option only for stainless steel material. 5-year limited warranty. UL tested to IESNA LM-79. UL listed. Certified to CAN/CSA/ANSI standards. RoHS compliant. Suitable for indoor or outdoor use, in wet locations, and for installation within 4' of the ground. IP66 Rated. Made in the USA with sustainable materials.



LAMP & DRIVER DATA (e67, e68, e69, e75)

DATE: _____ PROJECT: _____ TYPE: _____

DRIVER DATA	Input Volts	InRush Current	Operating	Dimmable	Operation Ambient Temperature
	12VAC/DC 50/60Hz	<250mA (non-dimmed)	500mA	Magnetic Low Voltage Dimmer	-22°F-194°F (-30°C - 90°C)

LM79 DATA				L70 DATA	OPTICAL DATA		
BK No.	CCT (Typ.)	CRI (Typ.)	Input Watts (Typ.)	Minimum Rated Life (hrs.) 70% of initial lumens (L ₇₀)	Angle	CBCP	Delivered Lumens
e67	2700K	80	7	50,000	17°	3632	459
	2700K	80	7	50,000	25°	1708	435
	2700K	80	7	50,000	30°	1337	438
e68	3000K	80	7	50,000	17°	3871	489
	3000K	80	7	50,000	25°	1821	464
	3000K	80	7	50,000	30°	1425	467
e69	4000K	80	7	50,000	17°	3991	504
	4000K	80	7	50,000	25°	1877	478
	4000K	80	7	50,000	30°	1469	481
e75	Amber (590nm)	~	7	50,000	~	~	~

OPTICS

Optic	Angle
SP - Spot	17°
MFL - Medium Flood	25°
FL - Flood	30°