

DATE:	PROJECT:	TYPE:
-------	----------	-------

CATALOG NUMBER LOGIC:

**CATALOG NUMBER LOGIC**

Example: PC - 010 - BZW - MT - CP

**MATERIAL**

Aluminum

**SERIES**

PC - Power Canopy System\*

**CONTROL TYPE**

INC - 10W TRIAC/ELV Dimming 1-100%, 120V only

010 - 10W Dimming Driver 0-10V Dimming 1-100%

**FINISH**

Standard Finishes (BZP, BZW, BLP, BLW, WHP, WHW, SAP, VER)

Premium Finish (ABP, AMG, AQW, BCM, BGE, BPP, CAP, CMG, CRM, HUG, NBP, OCP, RMG, SDS, SMG, TXF, WCP, WIR)

(Also available in RAL Finishes. See submittal SUB-1439-00)

**INPUT VOLTAGE**

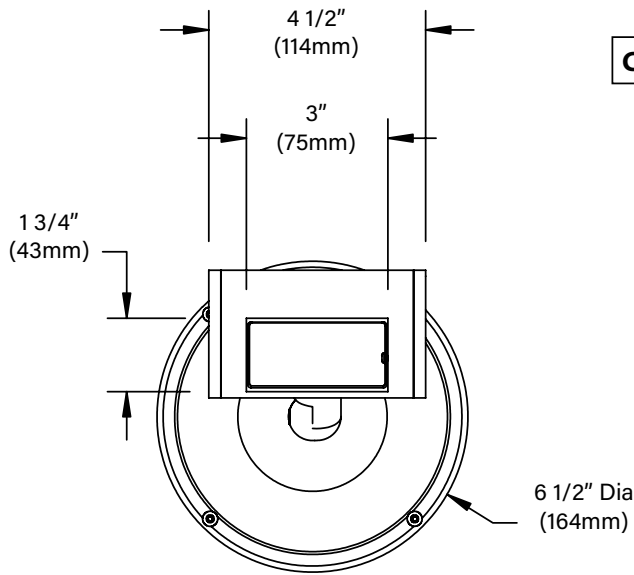
MT - 120-277 VAC

**OPTION**

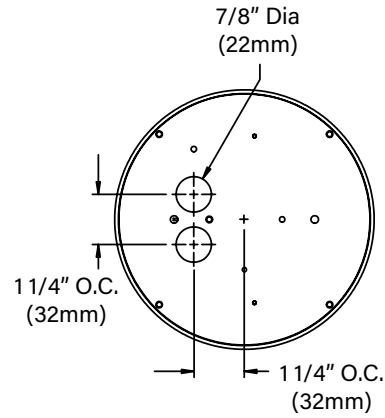
CP - Weighted Base with Cord, Plug, and Switch

*\*For use with incandescent dimmer. 120V only for dimming.*

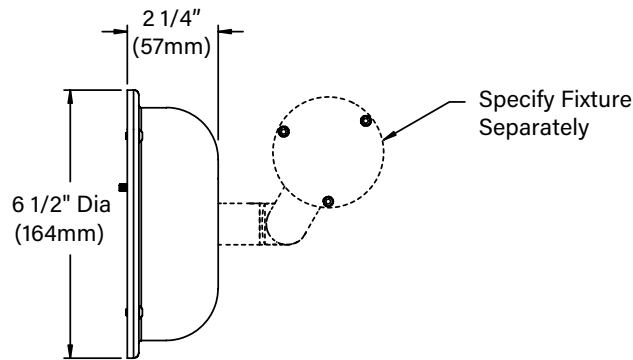
DATE: \_\_\_\_\_ PROJECT: \_\_\_\_\_ TYPE: \_\_\_\_\_



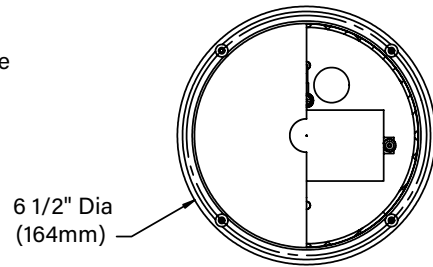
**CANOPY MOUNTING PLATE**



**SINGLE FIXTURE**



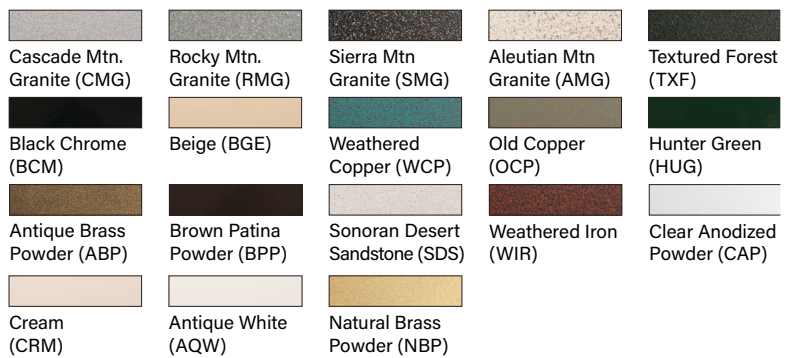
**CANOPY**



**STANDARD FINISHES**



**PREMIUM FINISHES**



[Click Here](#) to view larger, full-color swatches of all available finishes on our website.

DATE:	PROJECT:	TYPE:
-------	----------	-------

ACCESSORIES (Configure separately)

## SPECIFICATIONS

Electrical	<p>WIRING / CONNECTORS</p> <p>DRIVER</p>	<p>18GA, Stranded, XLPVC, 300V, 150° C rated. Pre-wired and labeled terminal strip(s).</p> <p>For use with one (1) 350mA, Class A, constant current driver. 120-277VAC (nominal) primary input voltage. 50/60Hz. &gt;0.9 Power Factor, 0.25A input current, .20%THD (nominal at 120VAC full load). Output over-voltage, over-current, and short circuit protection with auto recovery. INC Driver - For use with Incandescent Standard TRIAC or ELV dimmers. 1-100% range, 120V Only. 010 Driver - For use with 0-10V dimmers. 1-100% range, external controls by others.</p>
PHYSICAL	<p>INSTALLATION</p> <p>CANOPY HOUSING</p> <p>HARDWARE</p> <p>FINISH</p> <p>WARRANTY</p> <p>CERTIFICATION &amp; LISTING</p>	<p>Universal design accommodates a single fixture (specified separately) and permits water-tight installation. Two wire entrance knockouts will accept 1/2" conduit or Romex connectors. Four 3/16" wall plate mounting holes (mounting hardware by others).</p> <p>Fully machined from copper-free aluminum. Stainless steel hardware. Gasket provides watertight seal.</p> <p>Tamper-resistant, stainless steel hardware.</p> <p>StarGuard, our 15-stage, chromate-free process cleans and conversion coats aluminum components prior to application of Class 'A' TGIC polyester powder coating and is RoHS compliant. Finish to match fixture (specified separately).</p> <p>5-year limited warranty.</p> <p>Certified to CAN/CSA/ANSI standards. UL Listed. RoHS compliant. Made in USA with sustainable processes.</p>



**B-K LIGHTING**

**MADE IN THE USA**

559.438.5800 | [INFO@BKLIGHTING.COM](mailto:INFO@BKLIGHTING.COM) | [BKLIGHTING.COM](http://BKLIGHTING.COM)