

DATE:	PROJECT:	TYPE:
-------	----------	-------

CATALOG NUMBER LOGIC:



*\*For use with incandescent dimmer. 120V only for dimming.*

**CATALOG NUMBER LOGIC**

Example: PPII - S12 - 010 - BZW - B - MT - SF

**MATERIAL**

Aluminum

**SERIES**

PPII - Power Pipe II System

**TYPE\***

S12 - 12" Stake

S18 - 18" Stake

J12 - 12" Junction Box

J18 - 18" Junction Box

**CONTROL TYPE**

INC - 10W TRIAC/ELV Dimming 1-100%, 120V Only

010 - 10W Dimming Driver 0-10V Dimming 1-100%

**FINISH**

Standard Finishes (BZP, BZW, BLP, BLW, WHP, WHW, SAP, VER)

Premium Finish (ABP, AMG, AQW, BCM, BGE, BPP, CAP, CMG, CRM, HUG, NBP, OCP, RMG, SDS, SMG, TXF, WCP, WIR)

(Also available in RAL Finishes. See submittal SUB-1439-00)

**CAP STYLE**

B - Single Hole Cap

**INPUT VOLTAGE**

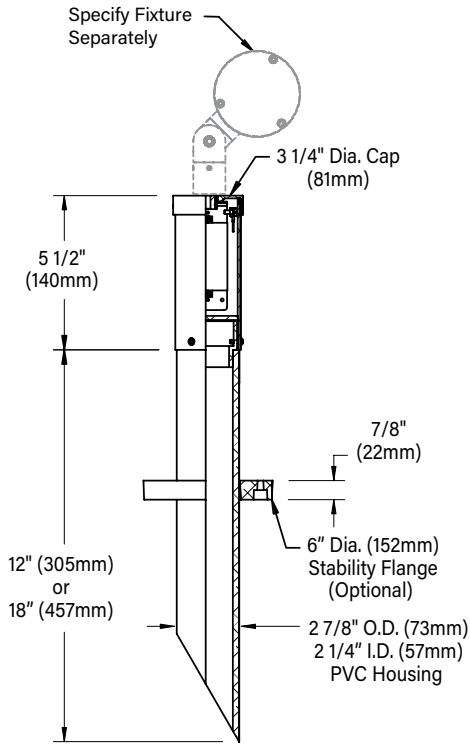
MT - 120-277 VAC

**OPTIONS**

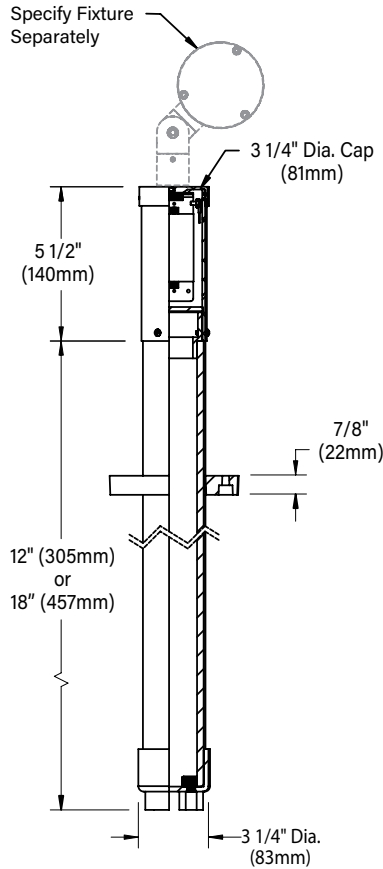
SF - Stability Flange

DATE: \_\_\_\_\_ PROJECT: \_\_\_\_\_ TYPE: \_\_\_\_\_

**STAKE (S)**

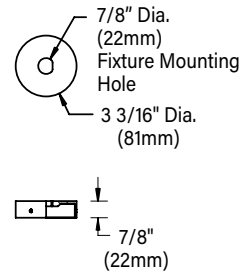


**JUNCTION (J)**

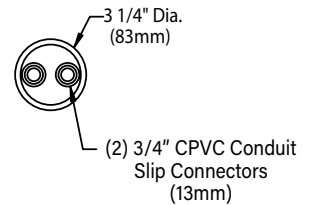


**CAP STYLE**

**'B' Cap (Single Hole)**



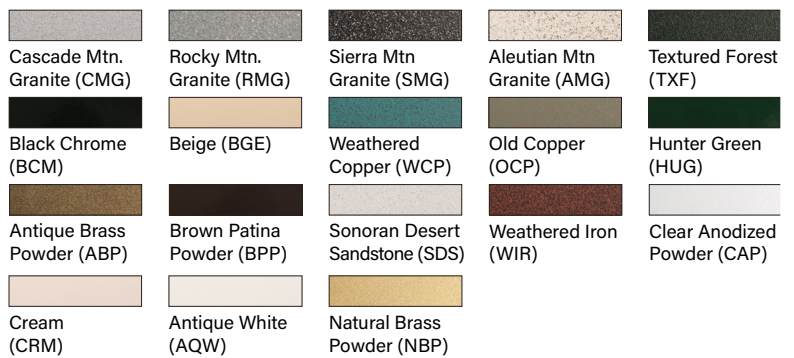
**Bottom View of "J"**



**STANDARD FINISHES**



**PREMIUM FINISHES**



[Click Here](#) to view larger, full-color swatches of all available finishes on our website.

DATE:	PROJECT:	TYPE:
-------	----------	-------

ACCESSORIES (Configure separately)

## SPECIFICATIONS

Electrical	WIRING / CONNECTORS DRIVER	18GA, Stranded, XLPVC, 300V, 150° C rated. Pre-wired and labeled terminal strip(s).  One (1) 350mA, Class A, constant current driver. 120-277VAC (nominal) primary input voltage, 50/60Hz. >0.9 Power Factor, 0.25A input current, .20%THD (nominal at 120VAC full load). Output over-voltage, over-current, and short circuit protection with auto recovery. INC Driver - For use with Incandescent Standard TRIAC or ELV dimmers. 1-100% range, 120V Only. 010 Driver - For use with 0-10V dimmers. 1-100% range, external controls by others.
PHYSICAL	INSTALLATION  STAKE (TYPE S) JUNCTION BOX (TYPE J) STABILITY FLANGE  CAP STYLE DRIVER HOUSING  HARDWARE FINISH  WARRANTY CERTIFICATION & LISTING	Provides a clean, architectural transition from wiring system to fixture. 2" Schedule 80 PVC pipe. For direct burial in soil or concrete. Available in 12" and 18" lengths. Available in three installation types:  60° angled bottom designed for use with conduit or direct burial low voltage cable.  Includes two (2) 3/4" PVC slip connectors for branch circuit wiring.  Optional 6" diameter, molded stability flange simplifies installation and projects into substrate to simplify installation and reinforce housing stability.  Machined from copper-free aluminum.  Fully machined from copper-free aluminum. Stainless steel hardware. High temperature, silicone 'O' Ring provides watertight seal.  Tamper-resistant, stainless steel hardware.  StarGuard, our 15-stage, chromate-free process cleans and conversion coats aluminum components prior to application of Class 'A' TGIC polyester powder coating and is RoHS compliant.  5-year limited warranty.  Certified to CAN/CSA/ANSI Standards. UL Listed. RoHS compliant. Made in USA with sustainable processes.



**B-K LIGHTING**

**MADE IN THE USA**

559.438.5800 | INFO@BKLIGHTING.COM | BKLIGHTING.COM