

DATE: _____ PROJECT: _____ TYPE: _____

CATALOG NUMBER LOGIC:



*Accommodates up to 2 lens/shielding media.

CATALOG NUMBER LOGIC

Example: SQ-RI - LZR - TR - Z1 - LS4 - 9 - 11 - C - MT - TE - BLP

MATERIAL

Aluminum

SERIES

SQ-RI - Square Rio

SOURCE

LZR - Laser

HOUSING

TR - Integral Driver

LASER TYPE

Z1 - 14.5W, 6000K

OPTICS

LS4 - 4° LS5 - 5° LS8 - 8°

LENS TYPE*

9 - Clear (Standard)

13 - Rectilinear

SHIELDING*

11 - Honeycomb Baffle

CAP STYLE

A - 45°

B - 90°

C - Flush

D - 45° Less Weep Hole (Downward Aiming Only)

E - 90° Less Weep Hole (Downward Aiming Only)

INPUT VOLTAGE

MT - 120-277 VAC

OPTIONS

TE - Tamper Resistant

FINISH (See page 2 for full-color swatches)

Standard Finishes (BZP, BZW, BLP, BLW, WHP, WHW, SAP, VER)

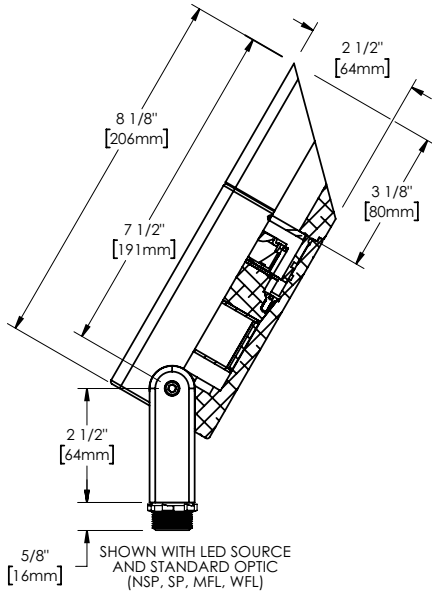
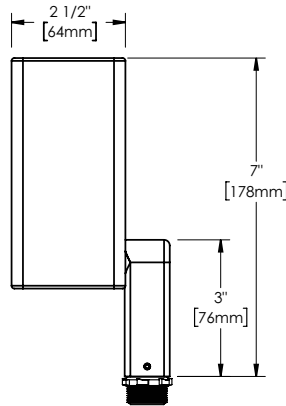
Premium Finish (ABP, AMG, AQW, BCM, BGE, BPP, CAP, CMG, CRM, HUG, NBP, OCP, RMG, SDS, SMG, TXF, WCP, WIR)

Also available in RAL Finishes

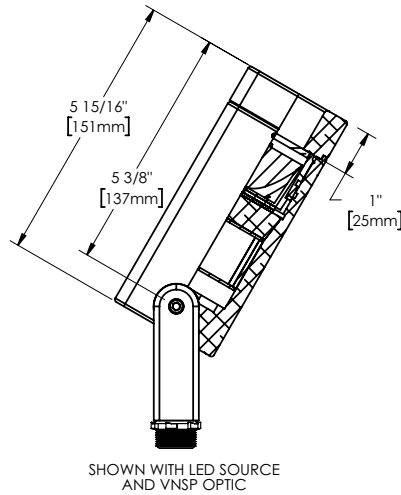
DATE: _____ PROJECT: _____ TYPE: _____

APPROXIMATE FIXTURE WEIGHT		
ALUMINUM		
2.89lbs		

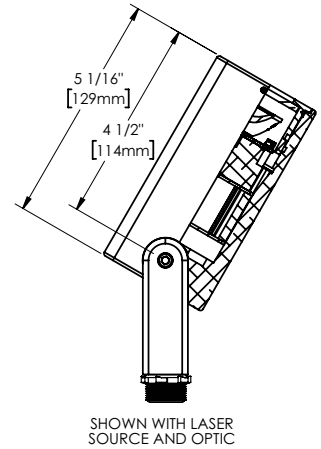
APPROXIMATE EPAs		
A/D CAP	B/E CAP	C CAP
.16ft ²	.12ft ²	.11ft ²



A/D CAP



B/E CAP

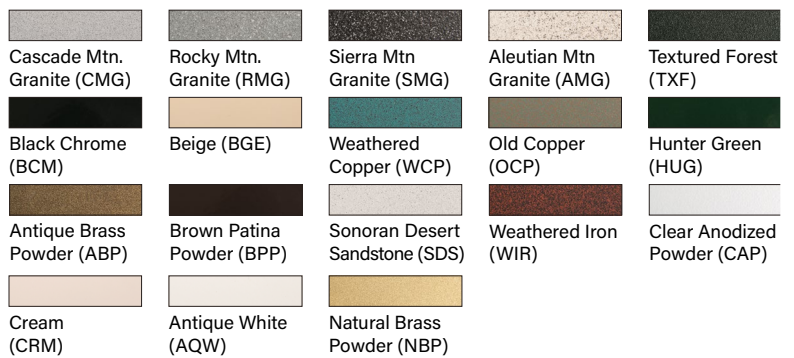


C CAP

STANDARD FINISHES



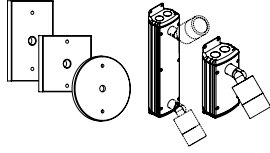
PREMIUM FINISHES



[Click Here](#) to view larger, full-color swatches of all available finishes on our website.




DATE: _____ PROJECT: _____ TYPE: _____

ACCESSORIES (Configure separately)



Canopies PM2DJ & PM2J

SPECIFICATIONS

ELECTRICAL	WATTAGE	14.5W Laser
	LASER	Integrated modular design with electrical disconnects allow for easy field upgrade and maintenance.
	OPERATING VOLTAGE	120-277VAC
	DRIVER	With one (1) 1500mA, Class II, constant current integral driver. 50/60Hz. >0.9 Power Factor, 5A in-rush current (typical at 120VAC), ≤20%THD (nominal at 120VAC full load). Output over-voltage, over-current, and short circuit protection with auto recovery.
	WIRING	18GA Stranded, XLPE, 150°C, 600V wire.
PHYSICAL	MATERIALS	Furnished in copper-free aluminum (6061-T6).
	BODY	Unibody design is fully machined from solid billet and provides enclosed, water-proof wireway and integral heat sink for maximum component life. Integral knuckle for maximum mechanical strength. High temperature, silicone 'O' Ring provides water-tight seal.
	CAP	Fully machined and offered with both tool-less and tamper-resistant options. Tool-less is the standard offering. Select "Tamper Resistant" option for one (1) set screw to secure the cap.
	OPTICS	Interchangeable optics permit changes in the field.
	LENS	Shock resistant, tempered, 1/8" thick soda lime glass lens is factory adhered to fixture cap and provides hermetically sealed optical compartment.
	KNUCKLE	Features a mechanical taper-lock, without the use of serrated teeth, which inherently limit aiming. High temperature, silicone 'O' Ring provides water-tight seal and compressive resistance to maintain fixture position. Design withstands 73lb. static load prior to movement to ensure decades of optical alignment. 1/2" pipe thread for mounting.
	HARDWARE	LOCK aiming screw is black oxide treated for additional corrosion resistance.
	FINISH	StarGuard, our 15-stage chromate-free process, cleans and conversion coats aluminum components prior to application of Class 'A' TGIC polyester powder coating, and it is RoHS compliant.
WARRANTY	5-year limited warranty.	
  		

LAMP & DRIVER DATA

DATE: _____ PROJECT: _____ TYPE: _____

LM79 DATA FORMAT

BK No.	CCT	CRI	Fixture Watts
Z1	6000	70	14.5
Z1	6000	70	14.5
Z1	6000	70	14.5
Z1	6000	70	14.5

L70 Data
10,000
10,000
10,000
10,000

OPTICAL DATA

Angle	CBCP	Roadway Class	BUG	Delivered Lumens
4	14,386	Type 1, Very Short	B0 U0 G0	288
5	10,527	Type 1, Very Short	B1 U0 G0	278
8	5,019	Type 1, Very Short	B1 U0 G0	277
4x36	1,960	Type 1, Very Short	B1 U0 G0	278

OPTICS

Optic	Angle
Very Narrow Spot	4°
Narrow Spot	5°
Spot	8°
Very Narrow Spot w/13	4°x36°

B-K LIGHTING

MADE IN THE USA

559.438.5800 | INFO@BKLIGHTING.COM | BKLIGHTING.COM

THIS DOCUMENT CONTAINS PROPRIETARY INFORMATION OF B-K LIGHTING, INC. AND ITS RECEIPT OR POSSESSION DOES NOT CONVEY ANY RIGHTS TO REPRODUCE, DISCLOSE ITS CONTENTS, OR TO MANUFACTURE, USE OR SELL ANYTHING IT MAY DESCRIBE. REPRODUCTION, DISCLOSURE OR USE WITHOUT SPECIFIC WRITTEN AUTHORIZATION OF B-K LIGHTING, INC. IS STRICTLY FORBIDDEN.