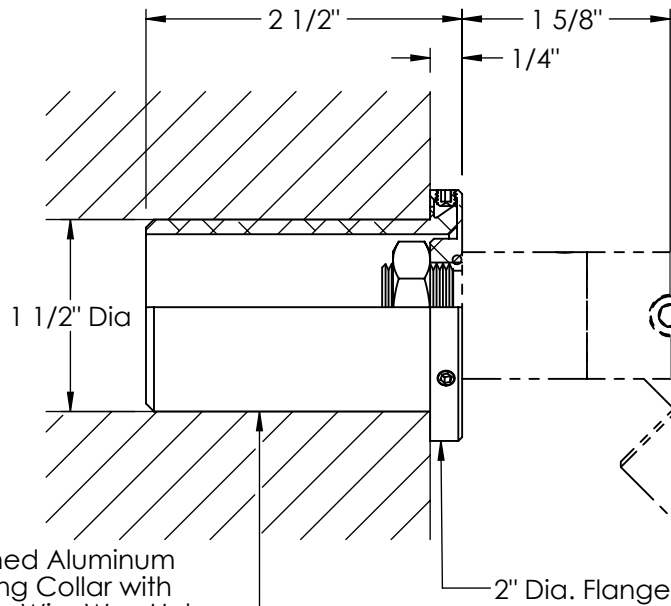
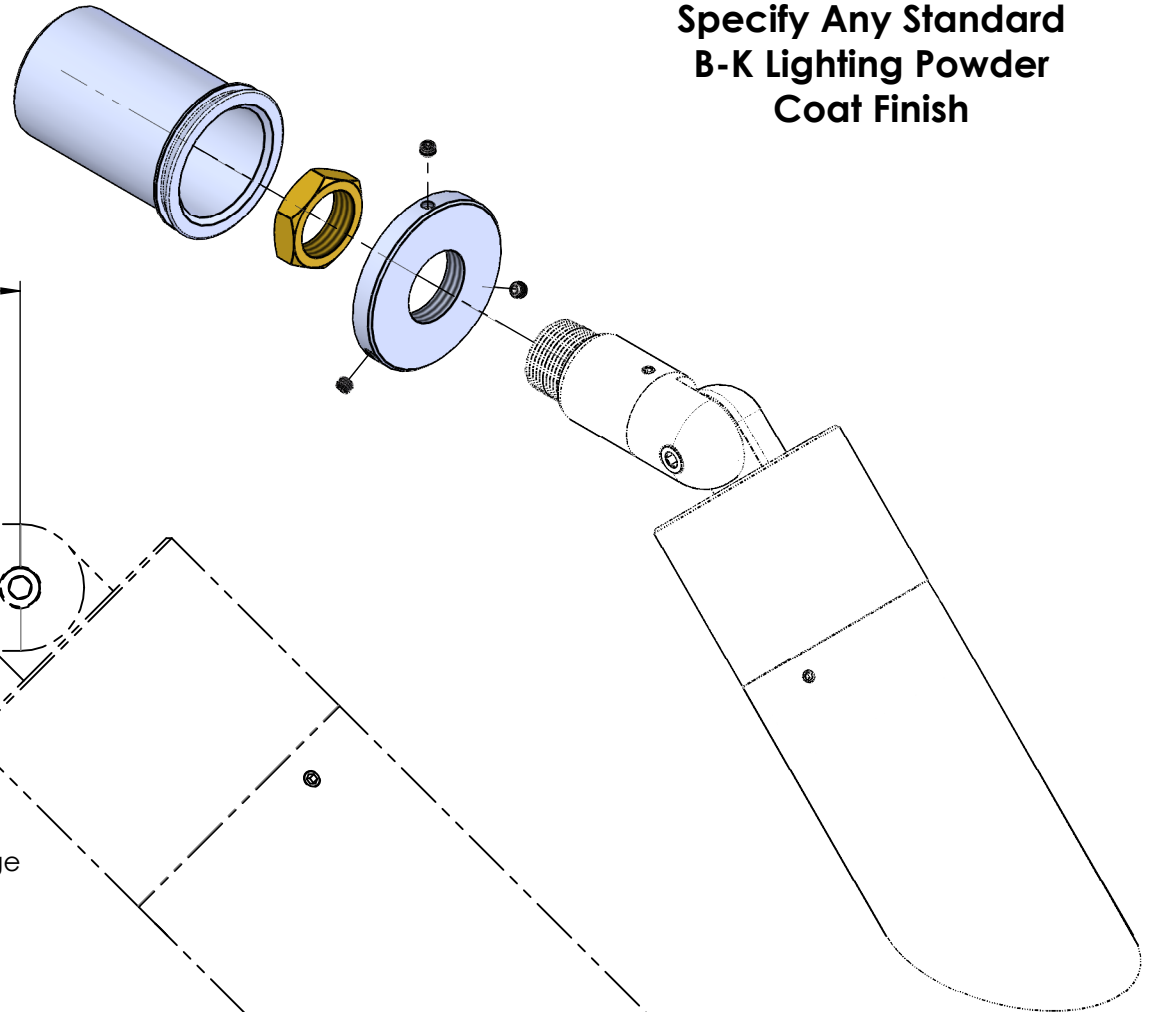


Specify Material: (Must Match Quoted Material)

Aluminum, Brass or Stainless Steel

**Specify Any Standard
B-K Lighting Powder
Coat Finish**



Machined Aluminum
Mounting Collar with
7/8" Dia. Wire Way Hole
(Provided with Epoxy
for Installation)

2" Dia. Flange

For Use with SD Knuckles Only

Specify Fixure Separately

ALL DIMENSIONS INDICATED ON THIS SUBMITTAL ARE NOMINAL. CONTACT TECHNICAL SALES IF YOU REQUIRE MORE STRINGENT DIMENSIONAL SPECIFICATIONS.

THIS DOCUMENT CONTAINS PROPRIETARY INFORMATION OF B-K LIGHTING AND ITS RECEIPT OR POSSESSION DOES NOT CONVEY ANY RIGHTS TO REPRODUCE, DISCLOSE ITS CONTENTS, OR TO MANUFACTURE, USE OR SELL ANYTHING IT MAY DESCRIBE. REPRODUCTION, DISCLOSURE OR USE WITHOUT SPECIFIC WRITTEN AUTHORIZATION OF B-K LIGHTING IS STRICTLY FORBIDDEN.



INVISIMOUNT COLLAR FOR 1/2" NIPPLE

08/19/16

B-K LIGHTING, INC.

DRAWING NUMBER
CUS-1920-57