

DATE: PROJECT: TYPE:

CATALOG NUMBER LOGIC:



*Select up to 2 for RD. Accessory Holder required.

CATALOG NUMBER LOGIC

Example: B - CO2 - PAR30 - 408 - WHP - 10 - 11 - AH

MATERIAL

(Blank) - Aluminum B - Brass S - Stainless Steel

FACEPLATE

CO2 - Flange (Installs above finished surface)

OptiLock®

PAR20

PAR30

LAMP TYPE

0 - By Others

PAR20L HALOGEN

406 - 39PAR20/SP10 (39W), 10° 407 - 39PAR20/FL30 (39W), 30°

PAR30L HALOGEN

408 - 39PAR30LN/SP10 (39W), 10° 411 - 60PAR30LN/SP10 (60W), 10°

409 - 39PAR30LN/NFL25 (39W), 25° 412 - 60PAR30LN/NFL25 (60W), 25°

410 - 39PAR30LN/WFL50 (39W), 50° 413 - 60PAR30LN/WFL50 (60W), 50°

FINISH (See page 2 for full-color swatches)

Standard Finishes (BZP, BZW, BLP, BLW, WHP, WHW, SAP, VER)

Premium Finish (ABP, AMG, AQW, BCM, BGE, BPP, CAP, CMG, CRM, HUG, NBP, OCP, RMG, SDS, SMG, TXF, WCP, WIR)

Also available in RAL Finishes

Brass Finishes (MAC, POL, MIT)

Stainless Steel Finishes (MAC, POL)

ACCESSORY*

10 - Spread Lens

11 - Honeycomb Baffle

12 - Soft Focus Lens

13 - Rectilinear Lens

OPTIONS

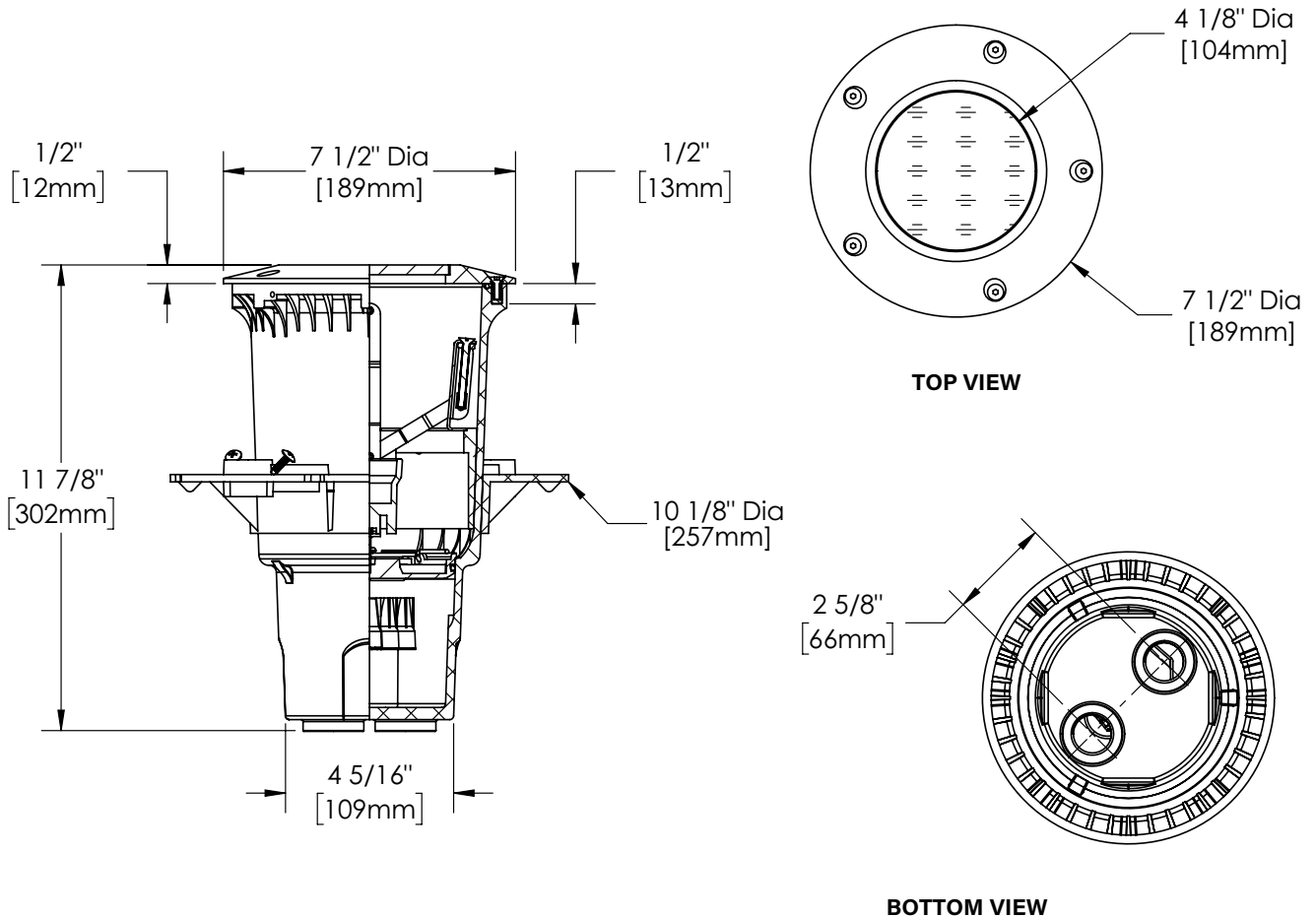
AH - Accessory Holder

TC - Traction Control Lens

GM-R - Round Grout Mask

GM-S - Square Grout Mask

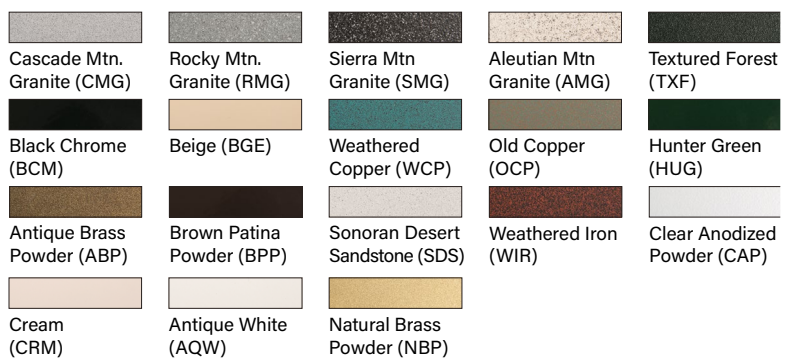
DATE: _____ PROJECT: _____ TYPE: _____



STANDARD FINISHES



PREMIUM FINISHES



[Click Here](#) to view larger, full-color swatches of all available finishes on our website.

| | | |
|-------|----------|-------|
| DATE: | PROJECT: | TYPE: |
|-------|----------|-------|

ACCESSORIES (Configure separately)

SPECIFICATIONS

| | | |
|-------------------------|---------------------------------------------------------------------------------------------------------|-----------------------------------------------------------------------------------------------------------------------------------------------------------------------------------------------------------------------------------------------------------------------------------------------------------------------------------------------------------|
| ELECTRICAL | WATTAGE | 39W or 60W |
| | WIRING / CONNECTORS | XLPE coated wire, 18 gauge, 300V, 125°C rated and certified to UL3265 standard. Features OptiLock® and gear tray quick disconnects. Patented HydroLock® with three (3) Water-Tight connectors supplied for incoming connection. Maximum (2) #10 & (1) #18. Minimum (1) #12 & (1) #18. |
| | SOCKET | Specification grade ceramic body lamp holder. Medium base, nickel-plated copper alloy lamp grip and screw shell. Corrosion resistant coil spring under center contact. |
| PHYSICAL | MATERIALS | Furnished in copper-free aluminum (6061-T6), brass (360), or stainless steel (304). |
| | FIXTURE HOUSING | Corrosion-free, high strength, flame retardant and UV stabilized, injected molded polycarbonate. Two (2) bottom-entry, 3/4" NPT female conduit entries with knockout plugs and four (4) side flats for 1/2" or 3/4" conduit adapters. |
| | PATENTED STABILITY FLANGE | Corrosion-free composite flange projects into installation substrate to reinforce housing stability. Integral REBAR saddles simplify installation into concrete form. Four (4) orthogonal bosses permit use of 1/2" PCV conduit EMT to simplify vertical position and leveling of housing. Preset self-tapping screws anchor housing at proper elevation. |
| | AIMING | Dual axis OptiLock® stainless steel aiming bracket rotates 360° and provides vertical adjustment up to 35° from nadir. Positive lock action eliminates need for adjustment. |
| | INSTALLATION | Integral, copper-free aluminum concrete pour collar (CPC), furnished in black finish, permits for direct burial in soil or concrete. Consult Drainage Installation Guide for In-Grade Fixtures (DIG-IT) for compliance with proper soil preparation and drainage requirements prior to installation. |
| | WATER MANAGEMENT | High temperature silicone 'O' Ring at faceplate. HydroLock® technology provides fail-safe water barrier between junction box and interior components. IP68 rated. |
| | LENS | High heat, Shock-resistant, 1/4" Tempered Soda Lime glass lens. |
| | FACEPLATE | Solid, 1/2" machined 6061-T6 aluminum with five (5) black oxide, captive, stainless steel mounting screws. |
| | FINISH | StarGuard, our 15-stage chromate-free process cleans and conversion coats aluminum components prior to application of Class 'A' TGIC polyester powder coating and is RoHS compliant. Brass components are available in powder coat or handcrafted metal finish. Stainless steel components are only available in handcrafted metal finish. |
| | WARRANTY | 5-year limited warranty. |
| CERTIFICATION & LISTING | UL Listed. Certified to CAN/CSA/ANSI standards. IP68 Rated. Made in the USA with sustainable processes. | |



B-K LIGHTING

MADE IN THE USA

559.438.5800 | INFO@BKLIGHTING.COM | BKLIGHTING.COM