

DATE: _____ PROJECT: _____ TYPE: _____

CATALOG NUMBER LOGIC:



CATALOG NUMBER LOGIC

Example: MB2 - BZP

MATERIAL

Aluminum

SERIES

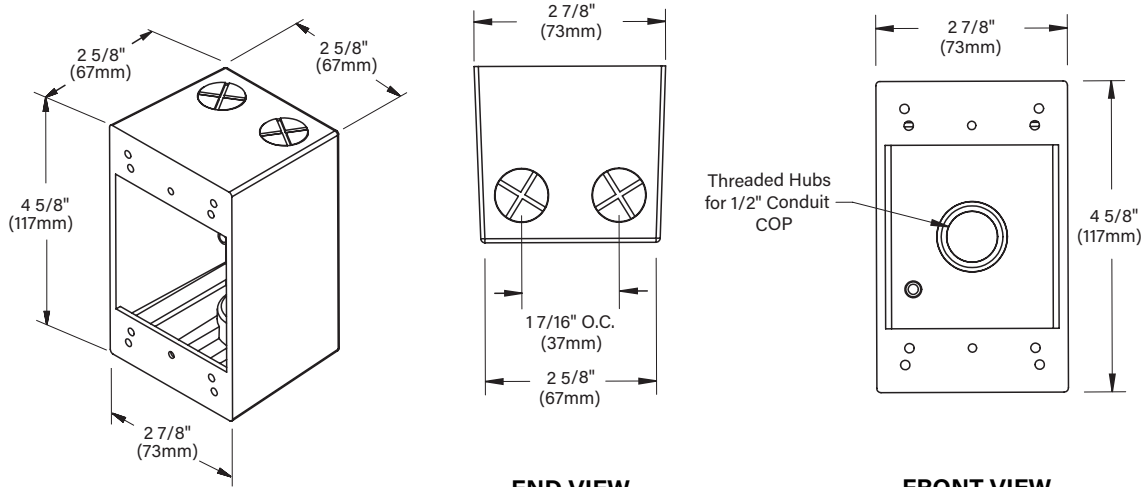
MB2 - MB2 Cast Aluminum Rectangular Box

FINISH (See below for full-color swatches)

Standard Finishes (BZP, BZW, BLP, BLW, WHP, WHW, SAP, VER)

Premium Finish (ABP, AMG, AQW, BCM, BGE, BPP, CAP, CMG, CRM, HUG, NBP, OCP, RMG, SDS, SMG, TXF, WCP, WIR)

Also available in RAL Finishes.



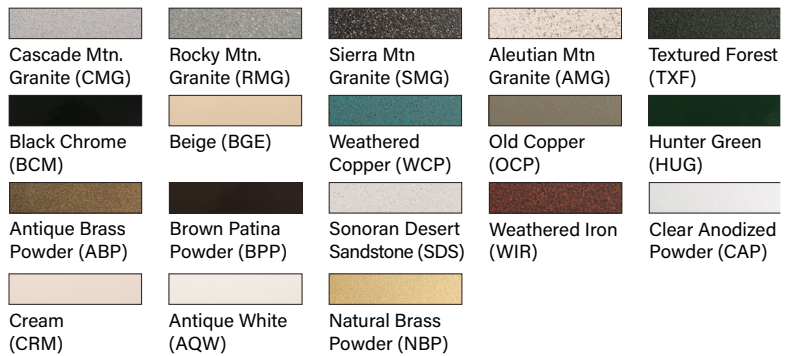
END VIEW

FRONT VIEW

STANDARD FINISHES



PREMIUM FINISHES



[Click Here](#) to view larger, full-color swatches of all available finishes on our website.

DATE:	PROJECT:	TYPE:
-------	----------	-------

ACCESSORIES (Configure separately)

SPECIFICATIONS

<p>PHYSICAL</p>	<p>MATERIALS INSTALLATION HARDWARE FINISH WARRANTY CERTIFICATION & LISTING</p>	<p>Furnished in cast aluminum.</p> <p>For use with BC1, BC2, BC3, and BC11 (specify separately).</p> <p>Tamper-resistant, stainless steel mounting hardware. Black oxide treated for additional corrosion resistance.</p> <p>StarGuard, our 15-stage chromate-free process cleans and conversion coats aluminum components prior to application of Class 'A' TGIC polyester powder coating and is RoHS compliant.</p> <p>5-year limited warranty.</p> <p>Suitable for indoor or outdoor use. RoHS Compliant. Made in USA with sustainable processes.</p>
-----------------	---	--

