

DATE:	PROJECT:	TYPE:
-------	----------	-------

CATALOG NUMBER LOGIC:



CATALOG NUMBER LOGIC

Example: B - CD - SSL - GU - 0 - SAP - C

MATERIAL

(Blank) - Aluminum B - Brass S - Stainless Steel

INSTALLATION

CD - Core Drill

SERIES

SSL - Round Louvered Step Star

SOURCE

GU - GU10 Line Voltage MR16

LAMP TYPE

0 - Furnished by Others

FINISH (See page 2 for full-color swatches)

Standard Finishes (BZP, BZW, BLP, BLW, WHP, WHW, SAP, VER)

Premium Finish (ABP, AMG, AQW, BCM, BGE, BPP, CAP, CMG, CRM, HUG, NBP, OCP, RMG, SDS, SMG, TXF, WCP, WIR)

Also available in RAL Finishes

Brass Finishes (MAC, POL, MIT)

Stainless Steel Finishes (MAC, POL)

LOUVER

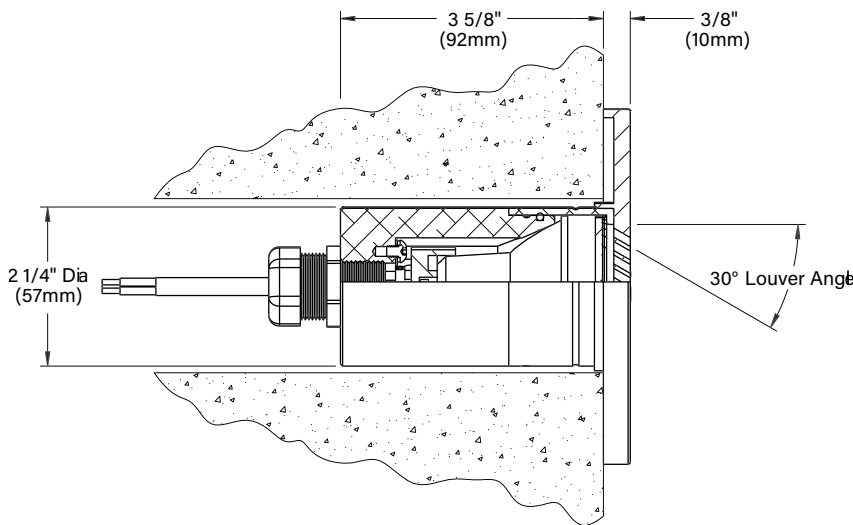
C - 30° Angle, Round Pattern

DATE:

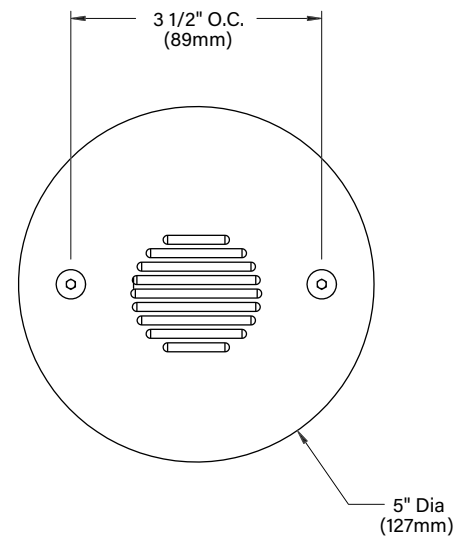
PROJECT:

TYPE:

SIDE VIEW



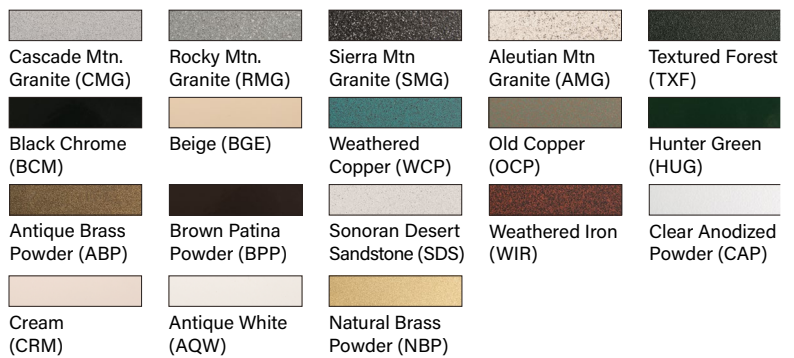
FACEPLATE DETAIL



STANDARD FINISHES



PREMIUM FINISHES



[Click Here](#) to view larger, full-color swatches of all available finishes on our website.

DATE:	PROJECT:	TYPE:
-------	----------	-------

ACCESSORIES (Configure separately)

SPECIFICATIONS

ELECTRICAL	SOCKET	Specification grade, ceramic body lamp holder. GU10 base. Nickel alloy contacts and heat-resistant, spring-loaded, stainless steel lamp retaining clips.
	WIRING	Teflon® coated, 18AWG, 600V, 250° C rated and certified to UL 1659 standard. Anti-Siphon Valve (ASV) prevents "wicking" through conductor insulation.
PHYSICAL	MATERIALS	Furnished in copper-free aluminum (6061-T6), brass (360), or stainless steel (304).
	CORE DRILL	Allows for mounting into existing structures that will not easily accept a standard box. Machined from solid, copper-free aluminum. Weather-tight cable connector with 5/0," 12Ga., 3 wire line voltage cable. 2-1/2" dia. hole required for slip fit.
	FACEPLATE	Machined from solid, copper-free aluminum. Also available in solid, machined brass or stainless steel. Countersunk holes allow for flush hardware mounting.
	LAMP	For use with bi-pin GU10 line voltage lamps.
	INSTALLATION	For use with 50W maximum lamp when installed into non-combustible materials.
	LENS	Heat-treated rectilinear lens provides wide lateral distribution and long forward throw.
	LOUVERS & AIMING	Louver pattern is machined into faceplate to prevent direct view to the lamp at 0°-30° optical cutoff for mounting heights well below typical visual glare angles.
	FINISH	StarGuard, our 15-stage chromate-free process cleans and conversion coats aluminum components prior to application of Class 'A' TGIC polyester powder coating and is RoHS compliant. Brass components are available in powder coat or handcrafted metal finish.
	WARRANTY	5-year limited warranty.
CERTIFICATION & LISTING	UL Listed. Certified to CAN/CSA/ANSI standards. Suitable for outdoor use and in wet locations. RoHS compliant. IP65 Rated. Made in the USA with sustainable processes.	

